

Series 66 Protective Covers

for Series 801 Mighty Mouse Connectors

667-497 ProSeal™ Flip Lid Receptacle Cover

MM801 Receptacle Cover

ProSeal™ Flip Lid



MATERIALS AND FINISHES

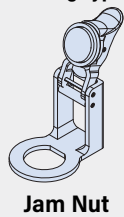
Lid, lever arm, gimbal: thermoplastic, black
 Bracket: aluminum, plated per finish code
 Spring, pin, rivet: SST/passivate
 Sleeve: Delrin
 Gasket: silicone
 Conductive gasket: silver-filled silicone

Spring-loaded, waterproof. ProSeal™ cover fits Glenair Series 801 Mighty Mouse receptacle connectors. Cover mounts onto standard connector jam nut or square flange mounting holes. Snap lid onto connector face for dust-tight and water-tight seal (IP67). -40 to +120 °C.

PART NUMBER

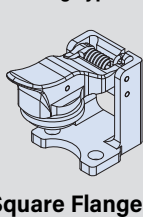
	667-497	C	21	T1	W	-59
Base P/N	667-497	Flip Lid				
Bracket Finish	C	Black Anodize				
	M	Electroless Nickel				
	MT	Nickel-PTFE				
	NF	Cadmium, Olive Drab				
	ZR	Black Zinc-Nickel				
	TZ	Tin-Zinc				
Shell Size	5 6 7 8 9 10 11 13 16 17 19 21					
Panel Thickness	T0	Front Mount	<i>Mounting Type W only</i>			
	T1	Rear Panel Mount, .031-.047 (0.8-1.2) Panel				
Mounting Type	J	Jam Nut <i>fig. 1</i>				
	W	Square Flange <i>fig. 2</i>				
Modification Code	<i>Omit for standard silicone gasket.</i>					
	-59	Silver-Filled Silicone EMI Gasket				

Fig. 1
Mounting Type J



Jam Nut

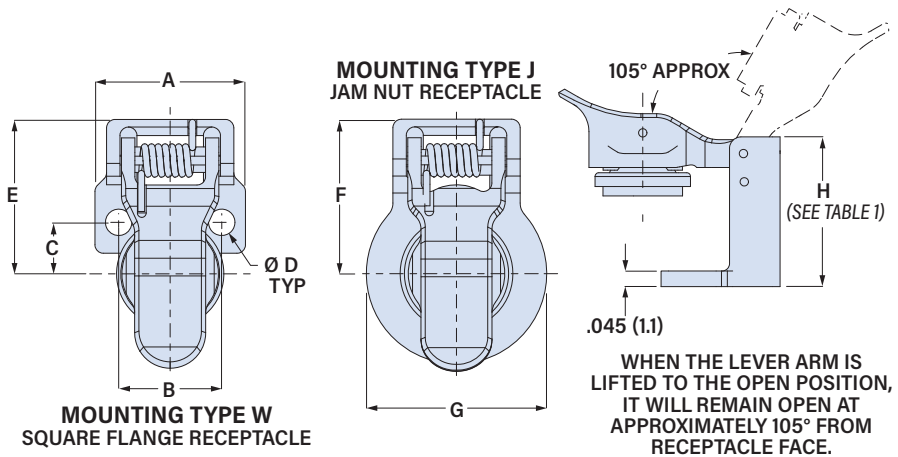
Fig. 2
Mounting Type W



Square Flange

TABLE 1 H DIMENSION

Panel Thickness Code	Shell Size	H Max			
		Type J Jam Nut		Type W Square Flange	
		In.	mm.	In.	mm.
T0 Front Mount	5-8	N/A	N/A	.593	15.1
	9-21	N/A	N/A	.692	17.6
T1 .047 (1.2)	5-8	.808	20.5	.546	13.9
	9-21	.908	23.1	.645	16.4



Shell Size	A		B		C		D		E		F		G	
	In.	mm.	In.	mm.	In.	mm.	In.	mm.	In.	mm.	In.	mm.	In.	mm.
5	.530	13.5	.363	9.2	.181	4.6	.094	2.4	.544	13.8	.544	13.8	.635	16.1
6	.590	15.0	.423	10.7	.212	5.4	.094	2.4	.580	14.7	.580	14.7	.697	17.7
7	.650	16.5	.483	12.3	.242	6.1	.094	2.4	.614	15.6	.614	15.6	.822	20.9
8	.712	18.1	.545	13.8	.273	6.9	.094	2.4	.651	16.5	.651	16.5	.851	21.6
9	.851	21.6	.607	15.4	.304	7.7	.128	3.3	.724	18.4	.724	18.4	.945	24.0
10	.890	22.6	.670	17.0	.335	8.5	.128	3.3	.758	19.3	.758	19.3	.945	24.0
11	.935	23.7	.715	18.2	.358	9.1	.128	3.3	.781	19.8	.781	19.8	1.103	28.0
13	1.030	26.2	.812	20.6	.406	10.3	.128	3.3	.850	21.6	.814	20.7	1.193	30.3
16	1.219	31.0	.981	24.9	.491	12.5	.128	3.3	1.004	25.5	.998	25.3	1.375	34.9
17	1.280	32.5	1.060	26.9	.530	13.5	.128	3.3	1.083	27.5	1.083	27.5	1.560	39.6
19	1.432	36.4	1.191	30.3	.596	15.1	.128	3.3	1.119	28.4	1.119	28.4	1.625	41.3
21	1.565	39.8	1.322	33.6	.661	16.8	.128	3.3	1.335	33.9	1.335	33.9	1.761	44.7