

Series 66 Protective Covers

for Series 806 Mil-Aero Connectors

667-511, 667-512 ProSeal™ Flip Lid Receptacle Cover

806 Receptacle Cover
ProSeal™ Flip-and-Spin Lid



ProSeal™ Flip Lid



Spring-loaded, waterproof. ProSeal™ cover fits Glenair Series 806 receptacle connectors. Cover mounts onto standard connector square flange mounting holes. Two lid styles are available: *Flip Lid* and *Flip-and-Spin Lid*. Unthreaded flip lid has torsion spring and gimballed cover for dust-tight and water-tight sealing (IP67 rating). Flip-and-spin lid has threaded cover. Snap lid onto connector face, then hand-tighten ¼ turn for IP68 ingress protection plus IPX6 high pressure water spray. -40 to +120 °C.

PART NUMBER

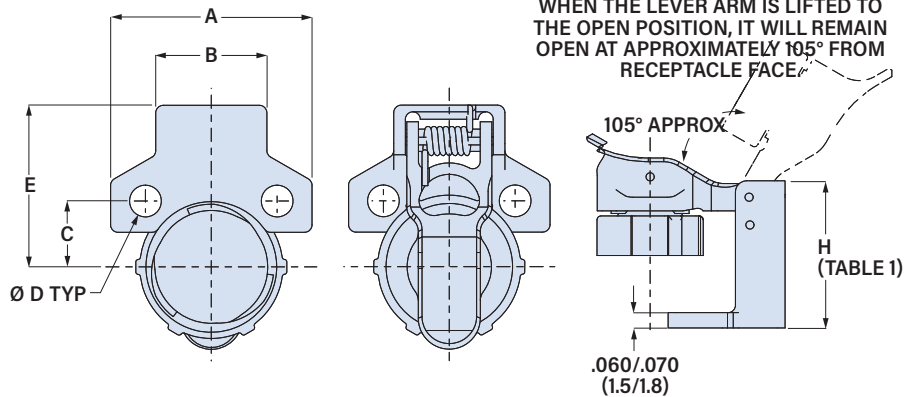
		667-512	C	16	T1	W	-59
Base P/N	667-511 Flip Lid 667-512 Flip-and-Spin Lid						
Bracket Finish	C Black Anodize M Electroless Nickel MT Nickel-PTFE NF Cadmium, Olive Drab ZR Black Zinc-Nickel TZ Tin-Zinc						
Shell Size	8 9 10 11 12 14 16 18 20 22 24						
Panel Mounting Style	T0 Front Mount T1 Rear Panel Mount <i>.031-.062 (0.8/1.6) Thick Panel</i>						
Mounting Type	W Square Flange						
Modification Code	<i>Mod-59 is not available for P/N 667-512</i> -59 Silver-Filled Silicone EMI Gasket						

MATERIALS AND FINISHES

Lid, lever arm, gimbal: thermoplastic, black
Bracket: aluminum, plated per finish code
Spring, pin, rivit: SST/passivate
Sleeve: Delrin
Gasket: silicone
Conductive gasket: silver-filled silicone

TABLE 1 H DIMENSION

Panel Thickness Code	Front Mount	H Max			
		Size 8-12		Size 14-24	
		In.	mm.	In.	mm.
T0	Front Mount	.940	23.9	.875	22.2
T1	<i>.031/.062 (0.8/1.6)</i>	.878	22.3	.813	20.7



Shell Size	A		B		C		D		E	
	In.	mm.	In.	mm.	In.	mm.	±.002 (0.1)	±.031 (0.8)	In.	mm.
8	.842	21.4	.531	13.5	.266	6.8	.128	3.3	.651	16.5
9	.905	23.0	.594	15.1	.297	7.5	.128	3.3	.724	18.4
10	.933	23.7	.625	15.9	.313	8.0	.128	3.3	.758	19.3
11	.980	24.9	.670	17.0	.335	8.5	.128	3.3	.781	19.8
12	1.058	26.9	.765	19.4	.383	9.7	.128	3.3	.814	20.7
14	1.156	29.4	.859	21.8	.430	10.9	.128	3.3	.935	23.7
16	1.250	31.8	.938	23.8	.469	11.9	.128	3.3	1.003	25.5
18	1.341	34.1	1.016	25.8	.508	12.9	.128	3.3	1.082	27.5
20	1.467	37.3	1.109	28.2	.555	14.1	.154	3.9	1.118	28.4
22	1.593	40.5	1.203	30.6	.602	15.3	.154	3.9	1.334	33.9
24	1.719	43.7	1.312	33.3	.656	16.7	.154	3.9	1.398	35.5