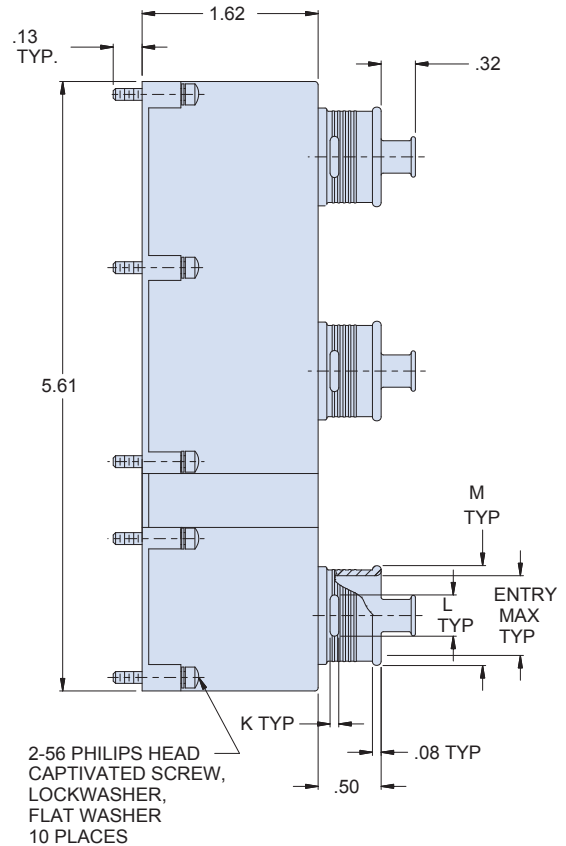
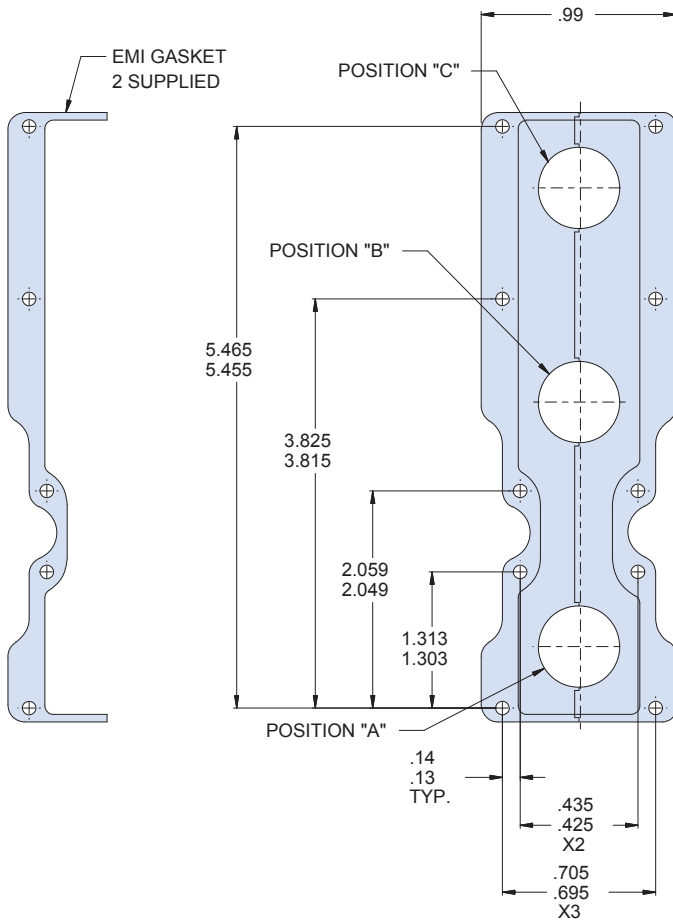
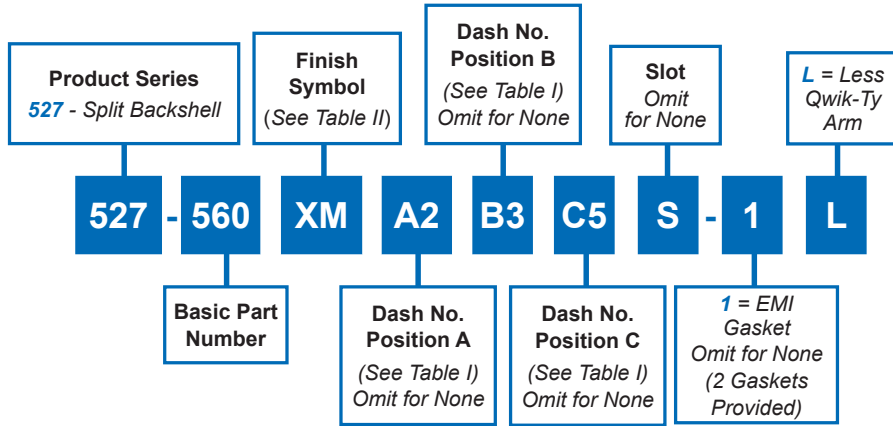


527-560 RFI/EMI Composite Split Backshell Assembly for Size 1 ARINC 600 Series Connector

A



527-560
RFI/EMI Composite Split Backshell Assembly
 for Size 1 ARINC 600 Series Connector



ARINC 600 Series connector backshells are designed to replace the insert retainer plates. Due to non-standard modifications by the connector manufacturer, the backshell may require special design alterations to mate properly. The following should be used to determine if a backshell modification is required. Prior to ordering, consult a factory with connector part numbers not shown to ensure a proper fit:

CONNECTOR DESIGNATOR:	
P	All manufacturers' plug and receptacle shells except for those listed below (prior to ordering, consult factory with connector part numbers not listed below to ensure a proper fit):
P1	Cannon BKAD****322 Series Plug
P2	Cannon/Radial Environmental Plug
P3	Cannon/Boeing BACC66 Plug
P5	Radial/Boeing BACC66 Plug
P6	Cannon BKAC & BKAE****322 Series Environmental Plug

TABLE I: Dash Number & Dimensions						
Dash No.	Entry Dia	K Dim	L Dim	M Max		
2	.250 (6.35)	.080 (2.03)	.220 (5.59)	.475 (12.07)		
3	.380 (9.65)	.080 (2.03)	.280 (7.11)	.605 (15.37)		
4	.500 (12.7)	.080 (2.03)	.330 (8.38)	.725 (18.42)		
5	.630 (16.00)	.080 (2.03)	.420 (10.67)	.855 (21.72)		
6	.750 (19.05)	.080 (2.03)	.500 (12.70)	.975 (24.77)		
7	.870 (22.10)	.080 (2.03)	.560 (14.22)	1.095 (27.81)		

TABLE II: FINISH	
Symbol	Finish Description
XM	2000 Hour Corrosion Resistant Electroless Nickel
XB	No Plating, Black
XMT	2000 Hour Corrosion Resistant Ni-PTFE, Nickel-Fluorocarbon Polymer. 1000 Hour Grey™
XW	2000 Hour Corrosion Resistant Cadmium/Olive Drab over Electroless Nickel

APPLICATION NOTES	
1. Assembly identified with manufacturer's name and P/N, space permitting.	3. Existing insert retainer in conjunction with supplied screws.
2. Material/Finish: Backshell - High grade engineering thermoplastic/See Table II. Gasket - Metex/N.A Hardware - CRES/Passivate.	4. Metric dimensions (mm) are indicated in parentheses.