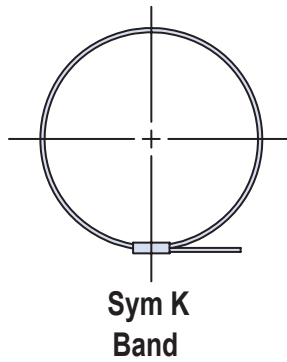
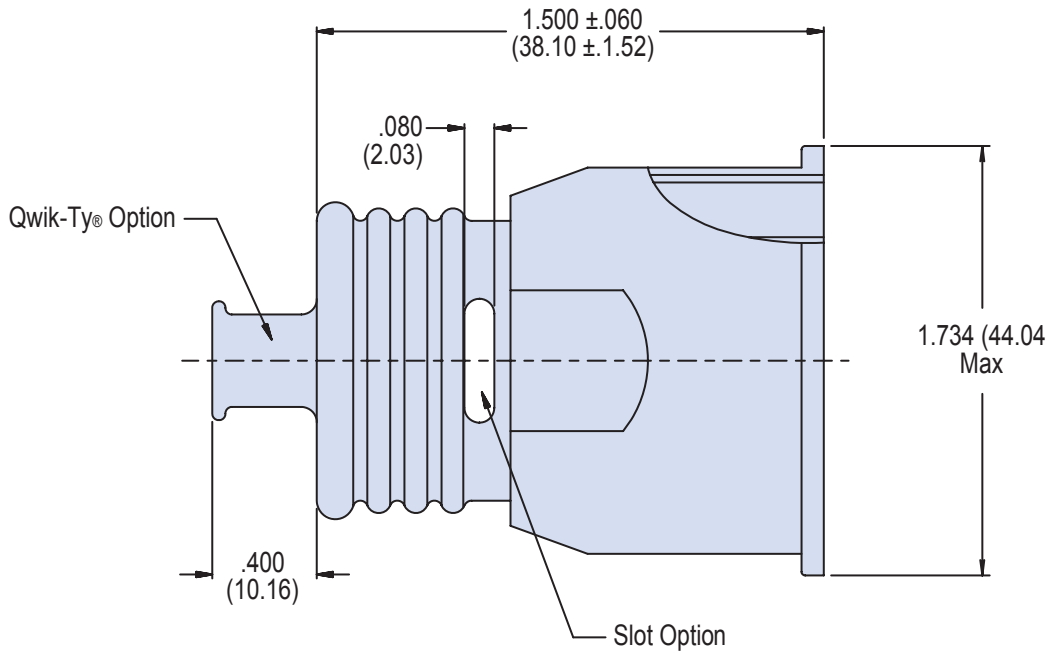
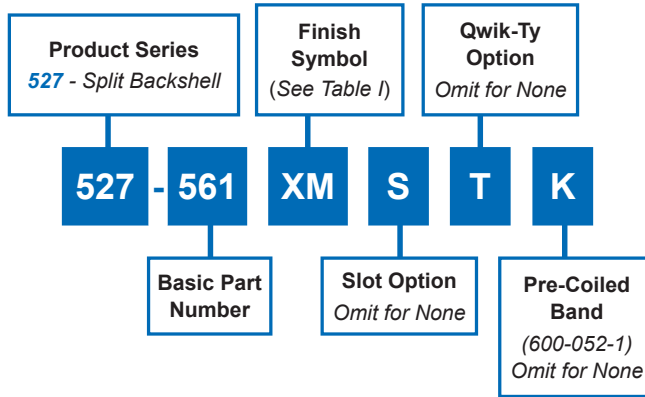


# 527-561 RFI/EMI Composite Split Banding (DPXB) Backshell for MIL-DTL-81659 Connector

A

CONNECTOR DESIGNATOR:	
?	MIL-DTL-81659



**527-561**  
**RFI/EMI Composite Split Banding (DPXB) Backshell**  
 for MIL-DTL-81659 Connector



Composite Backshells

**A**

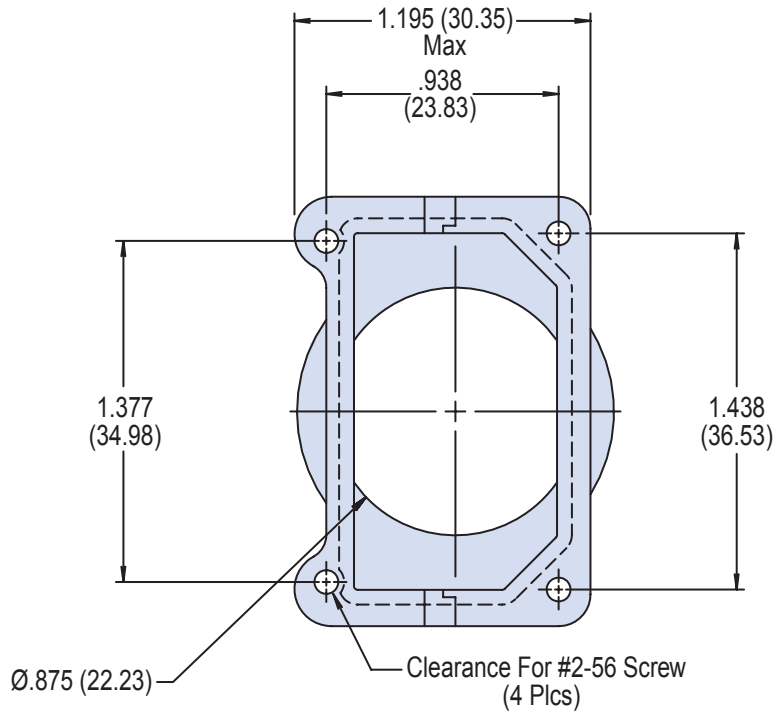


TABLE I: FINISH	
Symbol	Finish Description
XM	2000 Hour Corrosion Resistant Electroless Nickel
XO	No Plating
XMT	2000 Hour Corrosion Resistant Ni-PTFE, Nickel-Fluorocarbon Polymer. <i>1000 Hour Grey™</i>
XW	2000 Hour Corrosion Resistant Cadmium/Olive Drab over Electroless Nickel

APPLICATION NOTES	
1. Assembly identified with manufacturer's name and P/N, space permitting. 2. Material/Finish: Backshell - High grade engineering thermoplastic/See Table I. Gasket - Metex/N.A Hardware - CRES/Passivate.	3. Existing insert retainer in conjunction with supplied screws. 4. Metric dimensions (mm) are indicated in parentheses.