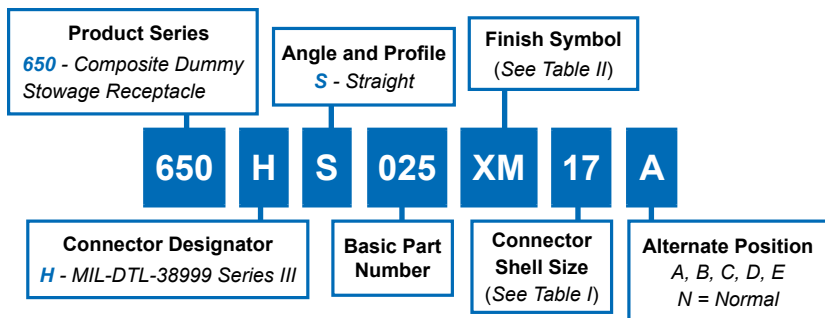


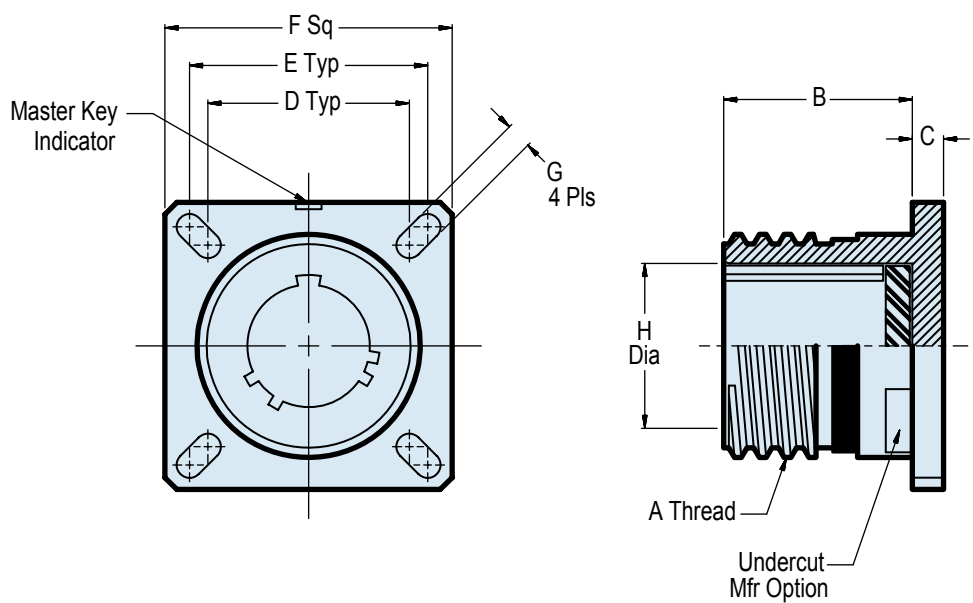


650-025 Composite Dummy Stowage Receptacle for MIL-DTL-38999 Series III Connectors



Symbol	Finish Description
XB	No Plating - Black Color (Non-Conductive Finish)
XM	1000 Hour Corrosion Resistant Electroless Nickel
XW	1000 Hour Corrosion Resistant Cadmium/Olive Drab over Electroless Nickel
XO	No Plating - Brown Color (Non-Conductive Finish)
XMT	Metalize in Electrodeposited Copper Flash Per MIL-C-14550, Nickel-PTFE IAW GP552-XMT

B



Shell Size	Shell Size Code	A Thread	B +.055 (1.4) -0.00	C	D	E	F ±.012 (0.3)	G Dim ±.008 (0.20)	H +.000 -.005 (.127)
09	A	.625-.1P-0.3LTS	.786 (19.5)	.144/.087 (3.65/2.2)	.594 (15.1)	.719 (18.3)	.937 (23.8)	.128 (3.3)	.192 (12.5)
11	B	.750-.1P-0.3LTS	.786 (19.5)	.144/.087 (3.65/2.2)	.719 (18.3)	.812 (20.6)	1.031 (26.2)	.128 (3.3)	.620 (15.7)
13	C	.875-.1P-0.3LTS	.786 (19.5)	.144/.087 (3.65/2.2)	.812 (20.6)	.906 (23.0)	1.126 (28.6)	.128 (3.3)	.769 (19.5)
15	D	1.000-.1P-0.3LTS	.786 (19.5)	.144/.087 (3.65/2.2)	.906 (23.0)	.969 (24.6)	1.220 (31.0)	.128 (3.3)	.894 (22.7)
17	E	1.187-.1P-0.3LTS	.786 (19.5)	.144/.087 (3.65/2.2)	.969 (24.6)	1.062 (27.0)	1.311 (33.3)	.128 (3.3)	1.019 (25.9)
19	F	1.250-.1P-0.3LTS	.786 (19.5)	.144/.087 (3.65/2.2)	1.062 (27.0)	1.156 (29.4)	1.437 (36.5)	.128 (3.3)	1.124 (28.5)
21	G	1.375-.1P-0.3LTS	.736 (18.7)	.171/.114 (4.35/9)	1.156 (29.4)	1.250 (31.8)	1.563 (39.7)	.128 (3.3)	1.249 (31.7)
23	H	1.500-.1P-0.3LTS	.736 (18.7)	.171/.114 (4.35/9)	1.250 (31.8)	1.375 (34.9)	1.689 (42.9)	.154 (3.9)	1.374 (34.9)
25	J	1.625-.1P-0.3LTS	.736 (18.7)	.171/.114 (4.35/9)	1.375 (34.9)	1.500 (38.1)	1.811 (46.0)	.154 (3.9)	1.499 (38.1)

Metric dimensions (mm) are in parentheses and are for reference only.