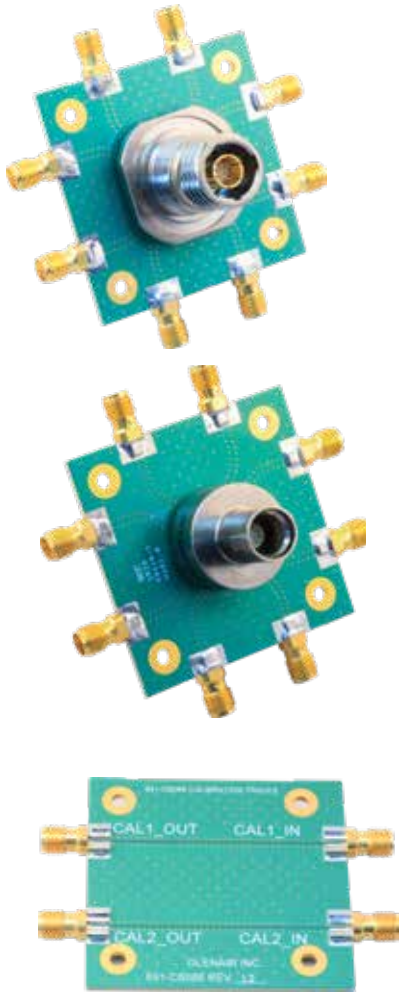


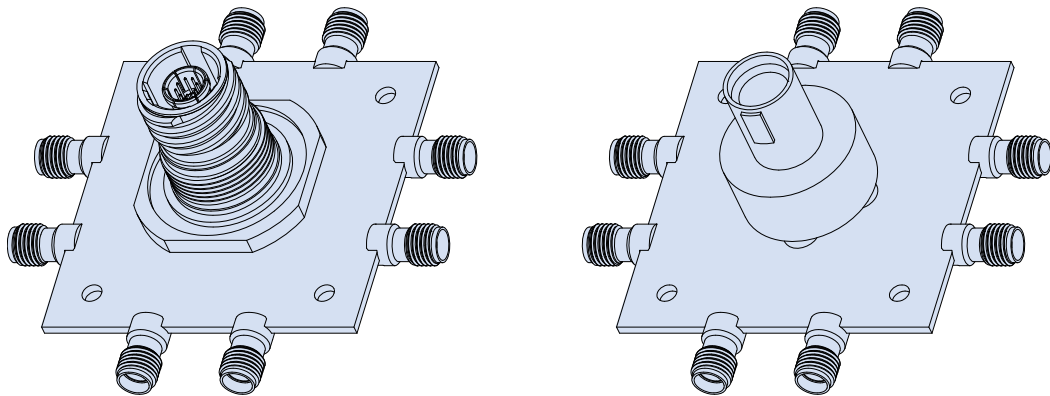
Signal Integrity Evaluation Fixture CB01-0121 for SuperNine El Ochito Contacts



Glenair evaluation fixture allows you test your cabled El Ochito contact for proper signal integrity of each individual contact within the El Ochito octaxial contact. Fixtures mate with SuperNine El Ochito contacts and must be used with supplied mating adapter. For other connector series evaluation fixtures consult factory.

Test Adapters for Series 23 SuperNine Connectors		
Sample Part Number→	CB01-0121	-R
Product	CB01-0121 = Signal integrity evaluation fixture for El Ochito contacts	
Ochito Type	W = El Ochito White B = El Ochito Blue R = El Ochito Red	

Notes
1. PCB differential impedance: 100 ohms
2. These fixtures are only intended for lab environment use.
3. Compatible with SuperNine El Ochito contacts: Blue: 858-028/029/069/070 Red: 858-030/031/063/064 White: 858-003/004, 858-005/006, 858-016/017
4. These fixtures are supplied with mating adapters. Mating adapters are required to prevent damage.
5. Each fixture is supplied with a calibration trace for fixture PCB removal. Calibration traces are 2X the length of each board's trace. Fixtures may also be mated together for complete removal.



EL OCHITO[®] TEST ADAPTERS