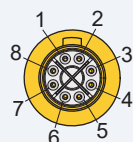


El Ochito® White-to-RJ45 Cable Assemblies 8571-0003 Commercial Grade

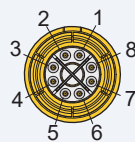


El Ochito® White for 10GBASE-T Ethernet, pin contact mating face

Contact Positions



Mating face of Pin

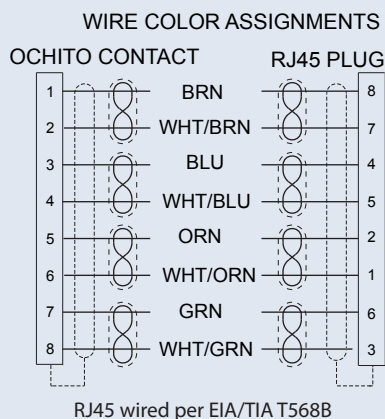


Mating face of Socket

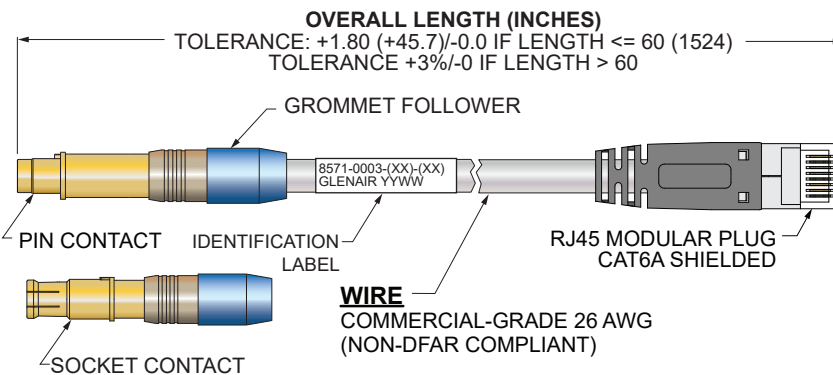
Technical Data

- Refer to individual contact data sheets for construction details
- 100% tested for shorts, continuity and IR
- Operating temp:** -10°C to +60°C
- Wire Size:** 26 AWG
- Impedance:** 100 ohms
- DWV:** 500 Vrms
- Current Rating:** 1.5 A
- IR:** 200 megohms min.
- Durability:** 500 mating cycles

Wiring Diagram



El Ochito® White-to-RJ45. Commercial grade (8571-0003) Cat6a. Save assembly time and cost with pre-wired El Ochito® White assemblies. These pin or socket contacts are terminated to Cat 6a commercial-grade shielded cable and deliver 10 Gigabit ethernet performance. Supplied with cable grommet follower if applicable. High quality commercial grade assemblies have foil shields on each wire pair. Compatible with Glenair Series 23 SuperNine, Series 28 HiPer-D, Series 792, Series 816, Series 806, and ARINC 600. *El Ochito® contacts must be installed in keyed connectors before mating to prevent misalignment and contact damage. Per wiring diagram below, RJ45 plug pinout adheres to EIA/TIA T568B standard.*



El Ochito®-to-RJ45 Cable Assemblies, Commercial-grade Wire

Sample Part Number	8571-0003	-01	-24
Product	8571-0003 = Cable Assy, El Ochito® to RJ45 Plug, Commercial Grade		
El Ochito® Contact Part Number	See Table 1		
Length	Length in Inches (12 inch minimum, 240 inches max)		

Table 1 Order Code

Connector Type	Order Code	Contact Part No.	Type I Pin/Skt	Cable Type	Cable Part Number
Series 23 Series 28	01	858-003-01F	Pin	Commercial-grade, LSZH Jacket, -10° to +60°C	ZM6A-SXX-01
	02	858-004-01F	Socket		ZM6A-SXX-01
Series 792 Series 806 Series 816	03	858-045-01F	Pin	Commercial-grade, LSZH Jacket, -10° to +60°C	ZM6A-SXX-01
	04	858-046-01F	Socket		ZM6A-SXX-01
ARINC 600	05	858-009-01B	Pin	Commercial-grade, LSZH Jacket, -10° to +60°C	ZM6A-SXX-01
	06	858-010-01B	Socket		ZM6A-SXX-01