

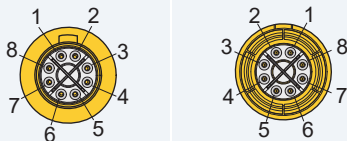
## El Ochito<sup>®</sup> White-to-RJ45 Cable Assemblies 8571-0004 Aerospace Grade

EL OCHITO<sup>®</sup> JUMPERS



El Ochito<sup>®</sup> White for 10GBASE-T Ethernet, pin contact mating face

### Contact Positions



Mating face of Pin

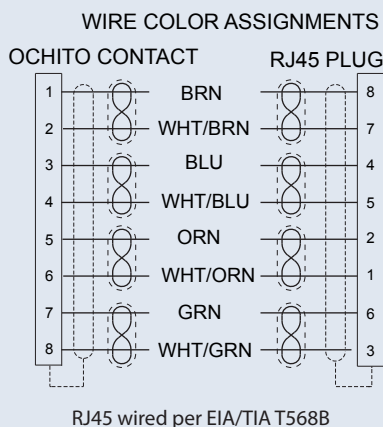
Mating face of Socket

### Technical Data

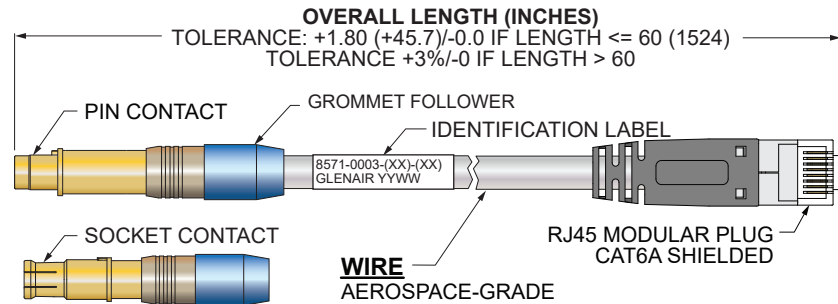
- Refer to individual contact data sheets for construction details
- 100% tested for shorts, continuity and IR

- Operating temp:** -40° to +85°C
- Wire Size:** 26 AWG
- Impedance:** 100 ohms
- DWV:** 500 Vrms
- Current Rating:** 1.5 A
- IR:** 200 megohms min.
- Durability:** 500 mating cycles

### Wiring Diagram



*El Ochito<sup>®</sup> White-to-RJ45. Flight-grade (8571-0004) Cat6A. Save assembly time and cost with pre-wired El Ochito<sup>®</sup> White assemblies deliver 10 Gigabit ethernet performance. High performance engineered fluoropolymer aerospace grade assemblies have foil shields on each wire pair. Compatible with Glenair Series 23 SuperNine, Series 28 HiPer-D, Series 792, Series 816, Series 806, and ARINC 600. **El Ochito<sup>®</sup> contacts must be installed in keyed connectors before mating to prevent misalignment and contact damage. Per wiring diagram below, RJ45 plug pinout adheres to EIA/TIA T568B standard.***



### El Ochito<sup>®</sup>-to-RJ45 Cable Assemblies, Flight-grade Wire

Sample Part Number	8571-0004	-01	-24
Product	8571-0004 = Cable Assy, El Ochito <sup>®</sup> to RJ45 Plug, Aerospace Grade		
Contact P/N	See Table 1		
Length	Length in Inches (12 inch minimum)		

### Table 1 Order Code

Connector Type	Order Code	Contact Part No.	Pin/Skt	Type I/Type II	Cable Type	Cable Part Number
Series 23 Series 28	01	858-003-02F	Pin	I	Aerospace-grade, -65° to +200°C	963-033-26
	02	858-004-02F	Skt	I		963-033-26
Series 792 Series 806 Series 816	03	858-045-02F	Pin	I	Aerospace-grade, -65° to +200°C	963-033-26
	04	858-046-02F	Skt	I		963-033-26
ARINC 600	05	858-009-02B	Pin	I	Aerospace-grade, -65° to +200°C	963-033-26
	06	858-010-02B	Skt	I		963-033-26
EN3645 & EN4165	07	858-026-02F	Pin	I	Aerospace-grade, -65° to +200°C	963-033-26
	08	858-027-02F	Skt	I		963-033-26
Series 792	11	858-043-02	Pin	II	Aerospace-grade, -65° to +200°C	963-033-26
	12	858-042-02	Skt	II		963-033-26
	13	858-043-04	Pin	II		963-033-24
	14	858-042-04	Skt	II		963-033-24
Series 23 Series 28	15	858-005-02	Pin	II	Aerospace-grade, -65° to +200°C	963-033-26
	16	858-006-02	Skt	II		963-033-26
	17	858-005-04	Pin	II		963-033-24
	18	858-006-04	Skt	II		963-033-24
Series 806 Series 816	19	858-051-02	Pin	II	Aerospace-grade, -65° to +200°C	963-033-26
	20	858-052-02	Skt	II		963-033-26
	21	858-051-04	Pin	II		963-033-24
	22	858-052-04	Skt	II		963-033-24
EPXB	23	858-014-01F	Pin	I	Aerospace-grade, -65° to +200°C	963-033-26
	24	858-015-01F	Skt	I		963-033-26