

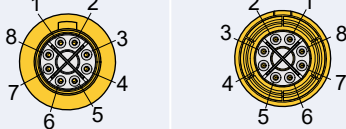
## El Ochito<sup>®</sup> White Type I, Pin-to-Socket Cat 8 Cable Assembly 8571-0040

EL OCHITO<sup>®</sup> JUMPERS



El Ochito<sup>®</sup> White for 40GBASE-T Ethernet, pin contact mating face

### Contact Positions



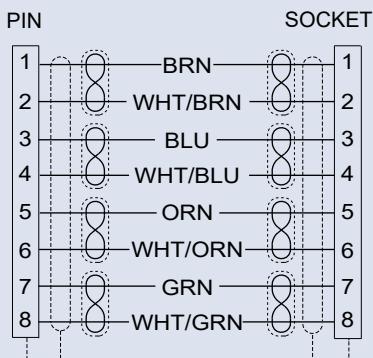
Mating face of Pin

Mating face of Socket

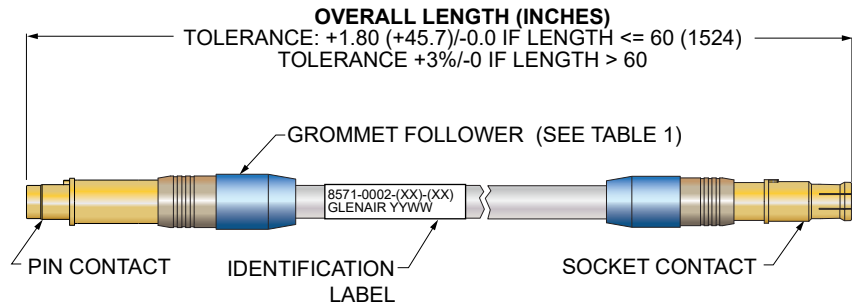
### Technical Data

- Refer to individual contact and cable data sheets for construction details
- 100% tested for shorts, continuity and IR
- Operating temp.:** -65° to +175°C
- Impedance:** 100 ohms
- DWV:** 500 Vrms
- Current Rating:** 1.5 A
- IR:** 200 megohms min.
- Durability:** 500 mating cycles

### Wiring Diagram



**Lower installed cost. 100% tested.** Save assembly time and cost with pre-wired El Ochito<sup>®</sup> White assemblies. These pin-to-socket cables have El Ochito<sup>®</sup> White contacts terminated to Cat 8 aerospace-grade shielded cable. Supplied with cable grommet follower if applicable. These pre-wired El Ochito<sup>®</sup> contacts snap into connector body without requiring an insertion tool. Remove contacts with plastic tool 859-049. Compatible with Glenair Series 23, Series 28, Series 792, Series 816, Series 806, ARINC 600 and EPXB connectors. Designed to meet the requirements of MIL-DTL-38999, SAE AS39029. *El Ochito<sup>®</sup> contacts must be installed in keyed connectors before mating to prevent misalignment and contact damage.*



### Cat 8 Pre-Wired El Ochito<sup>®</sup> Pin-Socket Assemblies

Sample Part Number	8571-0040	-A	A	-1	-24
Product	8571-0040 = Pre-wired El Ochito <sup>®</sup> contacts, Pin-to-Socket				
Pin Contact Code	See Table I				
Skt Contact Code	See Table II				
Cable Type	See Table III				
Length	Length in Inches (12 inch minimum)				

### Table I: Pin Contact Code

Connector Series	Order Code	Ochito Contact	Boot Type
Series 23 Series 28	A	858-003	Sealing
ARINC 600	B	858-009	Alnmnt
EPXB	C	858-014	Sealing
Series 792 Series 816 Series 806	D	858-045	Sealing

### Table III: Cable Type

Order Code	Cable Part No.	Cable Description
1	963-132-26	Cat 8 S/FTP, EF100
2	963-135-26	Cat 8 S/FTP, FEP

### Table II: Socket Contact Code

Connector Series	Order Code	Ochito Contact	Boot Type
Series 23 Series 28	A	858-004	Sealing
ARINC 600	B	858-010	Alnmnt
EPXB	C	858-015	Sealing
Series 792 Series 806 Series 816	D	858-046	Sealing