

MIL-PRF-28876 Jam Nut Receptacle
 180-040 (04, 14, 24, 34) • M28876 /11, /12, /13, /14

NAVSEA / Underwater Fiber Optics



Receptacle without backshell



Receptacle with straight backshell

HOW TO ORDER GLENAIR COMMERCIAL 180-040 JAM NUT RECEPTACLES									
Sample Part Number	180-040	NF	04	-15	-08	-1	-1	P	N
Basic Number	Glenair Commercial Equivalent MIL-PRF-28876 Type Fiber Optic Jam Nut Receptacle Connectors								
Material/Finish	See Material and Finish table								
Connector Type	04, 14, 24, 34. See Connector Type table								
Shell Size	See Shell Size/Insert Arrangements table								
Insert Arrangement	See Shell Size/Insert Arrangements table								
Backshell Designator	-1, -2, -3, See Backshell Designator table (Omit for 04 non-backshell configuration)								
Keying Position	-1 thru -6. See Keying Position table								
Terminus Style	P = Pin S = Socket								
Rear Backnut Option (for 04 non-backshell config.)	Omit = supplied with standard backnut B = supplied with banding backnut (See Banding Backnut table) N = supplied less backnut (to accommodate alternative accessory)								

MATERIAL AND FINISH

- Insert: Al alloy/anodize
- Strain relief hardware: Al alloy/chem film
- Seals: fluorosilicone
- Misc. Hardware: stainless steel/passivate

NOTES

- Termini (not supplied with connector):
 - 181-039 = Terminus, pin, M29504/14 style
 - 181-040 = Terminus, skt, M29504/15 style
 - 181-051 = Terminus, dummy, M29504/03 style
- Backnut retained using thread-locking compound
- Dust covers (not supplied with connectors):
 - 660-072 = plug cover, M28876/10 style
 - 660-073 = recp cover, M28876/15 style
- Operating temperature range: -55°C to +125°C.
- See Glenair drawing 187-166 for stainless steel option.

HOW TO ORDER MIL-DTL28876 JAM NUT RECEPTACLES									
Sample Part Number	M28876/1	C	1	1	P	1	N	T	
Basic Number	Military QPL M28876/11 through /14 Fiber Optic Jam Nut Receptacle Connectors								
Shell Size	See Shell Size/Insert Arrangements table								
Insert Arrangement	See Shell Size/Insert Arrangements table								
Backshell Designator	-1, -2, -3, See Backshell Designator table (Omit for /11 non-backshell configuration)								
Terminus Style	P = Pin S = Socket								
Keying Position	See Keying Position table								
Rear Backnut Option (for /1 non-backshell config.)	N = Not Supplied with Backnut Omit = Supplied with Backnut								
Materials and Finish	T = Tin-Zinc, Bronze-Gold Over Aluminum Alloy Omit = Hard Anodize, Black with PTFE Over Aluminum Alloy								

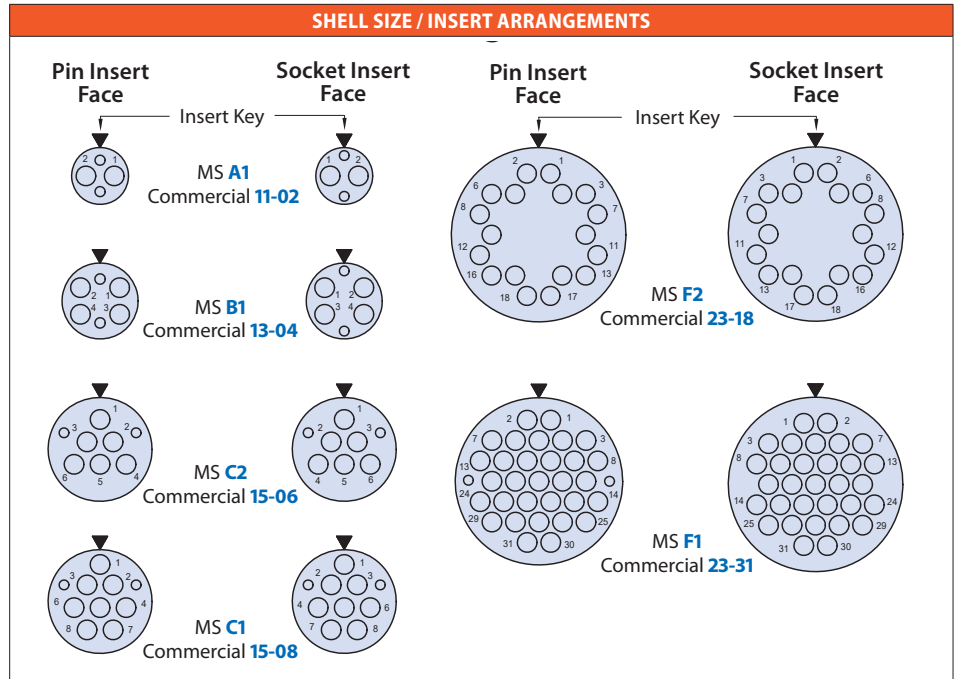
CONNECTOR TYPE			
Connector Type	Backshell Type	MIL-Spec	Commercial
Jam Nut Receptacle	None	M28876/11	180-040 04
	Straight	M28876/12	180-040 14
	45°	M28876/13	180-040 24
	90°	M28876/14	180-040 34

MIL-PRF-28876 Jam Nut Receptacle
180-040 (04, 14, 24, 34) • M28876 /11, /12, /13, /14

MATERIAL AND FINISH (COMMERCIAL 180-040 SERIES)		
Code	Material	Finish Description
GB4	Aluminum Alloy	Hard Anodize, Black with PTFE
ME		Electroless Nickel
MT		Nickel-PTFE, Grey
NF		Cadmium, Olive Drab
TZ		Tin-Zinc, Bronze-Gold
ZR		Zinc-Nickel, Black

BACKSHELL DESIGNATOR				
Backshell Designator	Max Allowable Cable Diameter by Shell Size			
	A (11)	B (13)	C (15)	F (23)
1	.250 (6.4)	.285 (7.2)	.500 (12.7)	.866 (22.0)
2	.346 (8.8)	.346 (8.8)	.250 (6.4)	1.000 (25.4)
3	—	.453 (11.5)	.375 (9.5)	.600 (15.2)

Shell size 13, backshell designator 3 connector supplied less boot.



KEYING POSITION					
Shell Size	Key Position	A°	B°	C°	D°
		11 and 13	0*	-	-
	1	95	141	208	236
	2	113	156	182	292
	3	90	145	195	252
	4	53	156	220	255
	5	119	146	176	298
	6	51	141	184	242
15 and 23	0*	-	-	-	-
	1	80	142	196	293
	2	135	170	200	310
	3	49	169	200	244
	4	66	140	200	257
	5	62	145	180	280
	6	79	153	197	272

*0 indicates universal keying arrangement and is available on Series 180-040 plug connector only.

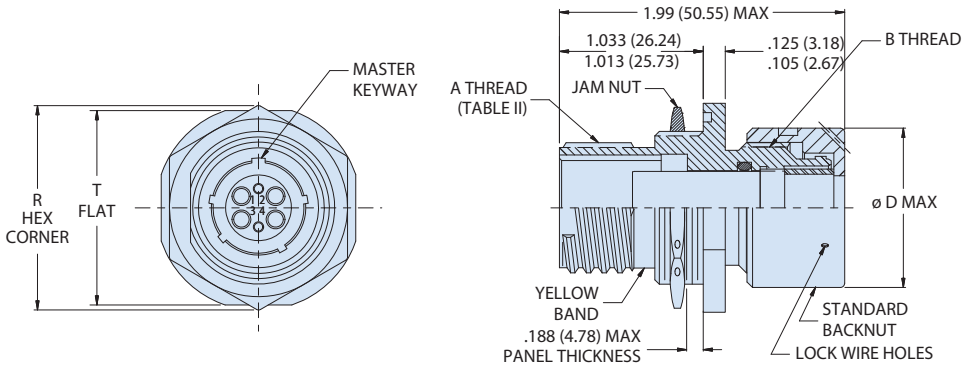
BANDING BACKNUT			
Shell Size	ØCC	ØDD	ØEE
11 (A)	.350 (8.89)	.410 (10.41)	1.010 (25.65)
13 (B)	.460 (11.68)	.520 (13.21)	1.135 (28.83)
15 (C)	.645 (16.38)	.705 (17.91)	1.260 (32.00)
23 (F)	1.045 (26.54)	1.105 (28.07)	1.698 (43.13)

JAM NUT RECOMMENDED PANEL CUTOUT		
Shell Size	U ± .005 (0.13)	Ø V ± .005 (0.13)
11 (A)	.848 (21.54)	.885 (22.48)
13 (B)	.973 (24.71)	1.010 (25.65)
15 (C)	1.160 (29.46)	1.198 (30.43)
23 (F)	1.593 (40.46)	1.630 (41.40)

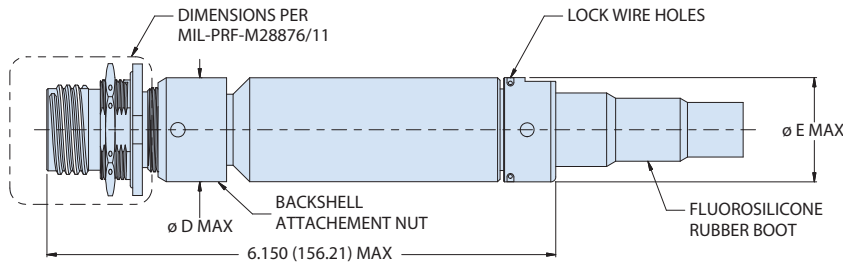
MIL-PRF-28876 Jam Nut Receptacle
180-040 (04, 14, 24, 34) • M28876 /11, /12, /13, /14

NAVSEA / Underwater Fiber Optics

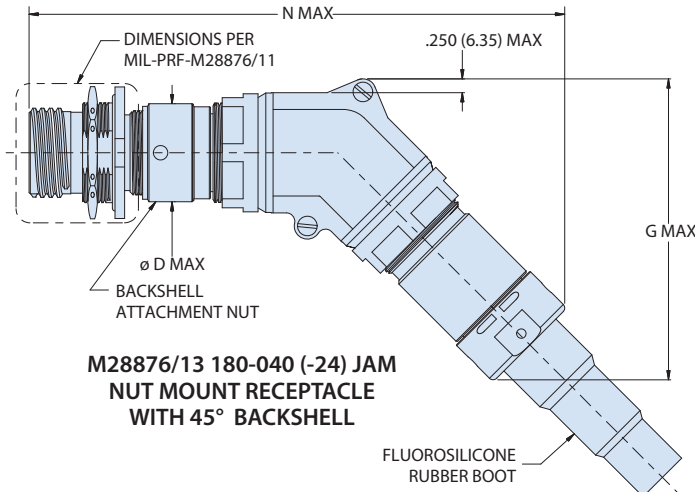
JAM NUT RECEPTACLE DIMENSIONS



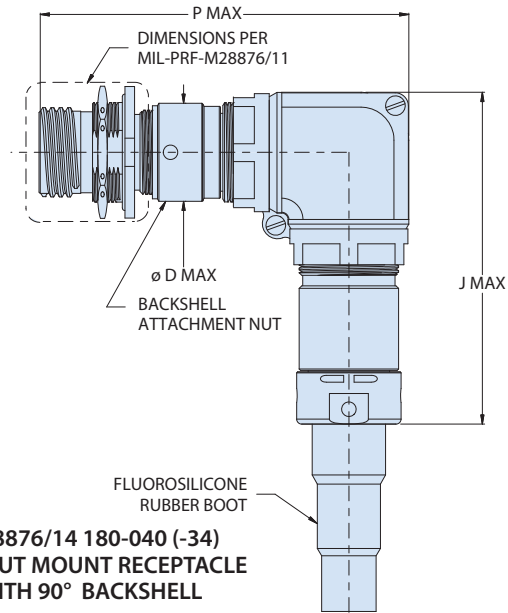
**M28876/11 • 180-040 (-04)
JAM NUT MOUNT RECEPTACLE WITHOUT BACKSHELL**



**M28876/12 • 180-040 (-14) JAM NUT MOUNT RECEPTACLE
WITH STRAIGHT BACKSHELL**



**M28876/13 180-040 (-24) JAM
NUT MOUNT RECEPTACLE
WITH 45° BACKSHELL**



**M28876/14 180-040 (-34)
JAM NUT MOUNT RECEPTACLE
WITH 90° BACKSHELL**

Shell Size	A Thread	B Thread Class 2B	ØD Max	ØE Max	G Max.	J Max.	N Max.	P Max.	R Max.	T ± .010 (.25)
11 (A)	.7500 .1P-2L-DS	.7500 -20 UNEF	.960 (24.4)	.960 (24.4)	3.540 (89.9)	4.250 (108.0)	6.150 (156.2)	4.250 (108.0)	1.290 (32.77)	1.264 (32.11)
13 (B)	.8750 .1P-2L-DS	.8750 -20 UNEF	1.085 (27.6)	1.085 (27.6)	3.580 (90.9)	4.250 (108.0)	6.220 (158.0)	4.250 (108.0)	1.435 (36.45)	1.389 (35.28)
15 (C)	1.0625 .1P-2L-DS	1.0000 -20 UNEF	1.255 (31.9)	1.257 (31.9)	3.850 (97.8)	4.500 (114.3)	6.500 (165.1)	4.700 (119.4)	1.650 (41.91)	1.577 (40.06)
23 (F)	1.5000 .1P-2L-DS	1.4375 -18 UNEF	1.695 (43.1)	1.763 (44.8)	5.000 (127.0)	5.000 (127.0)	7.500 (190.5)	5.000 (127.0)	2.093 (53.16)	2.004 (50.90)