

MIL-PRF-28876 Wall-Mount Receptacle
 180-040 (03, 13, 23, 33) • M28876 /1, /2, /3, /4

NAVSEA / Underwater Fiber Optics



Receptacle without backshell



Receptacle with straight backshell

MATERIAL AND FINISH

- Insert: Al alloy/anodize
- Strain relief hardware: Al alloy/chem film
- Seals: fluorosilicone
- Misc. Hardware: stainless steel/passivate

NOTES

- Termini (not supplied with connector):
 - 181-039 = Terminus, pin, M29504/14 style
 - 181-040 = Terminus, skt, M29504/15 style
 - 181-051 = Terminus, dummy, M29504/03 style
- Backnut retained using thread-locking compound
- Dust covers (not supplied with connectors):
 - 660-072 = plug cover, M28876/10 style
 - 660-073 = recp cover, M28876/15 style
- Operating temperature range: -55°C to +125°C.
- See Glenair drawing 187-166 for stainless steel option.

HOW TO ORDER GLENAIR COMMERCIAL 180-040 WALL MOUNT RECEPTACLES									
Sample Part Number	180-040	NF	03	-15	-08	-1	-1	P	N
Basic Number	Glenair Commercial Equivalent MIL-PRF-28876 Type Fiber Optic Wall-Mount Receptacle Connectors								
Material/Finish	See Material and Finish table								
Connector Type	03, 13, 23, 33. See Connector Type table								
Shell Size	See Shell Size/Insert Arrangements table								
Insert Arrangement	See Shell Size/Insert Arrangements table								
Backshell Designator	-1, -2, -3. See Backshell Designator table (Omit for 03 non-backshell configuration)								
Keying Position	-1 thru -6. See Keying Position table								
Terminus Style	P = Pin S = Socket								
Rear Backnut Option (for 03 non-backshell config.)	Omit = supplied with standard backnut B = supplied with banding backnut (See Banding Backnut table) N = supplied less backnut (to accommodate alternative accessory)								

HOW TO ORDER MIL-DTL28876 WALL MOUNT RECEPTACLES								
Sample Part Number	M28876/1	C	1	1	P	1	N	T
Basic Number	Military QPL M28876/1 through /14 Fiber Optic Wall-Mount Receptacle Connectors							
Shell Size	See Shell Size/Insert Arrangements table							
Insert Arrangement	See Shell Size/Insert Arrangements table							
Backshell Designator	-1, -2, -3. See Backshell Designator table (Omit for /1 non-backshell configuration)							
Terminus Style	P = Pin S = Socket							
Keying Position	See Keying Position table							
Rear Backnut Option (for /1 non-backshell config.)	N = Not Supplied with Backnut Omit = Supplied with Backnut							
Materials and Finish	T = Tin-Zinc, Bronze-Gold Over Aluminum Alloy Omit = Hard Anodize, Black with PTFE Over Aluminum Alloy							

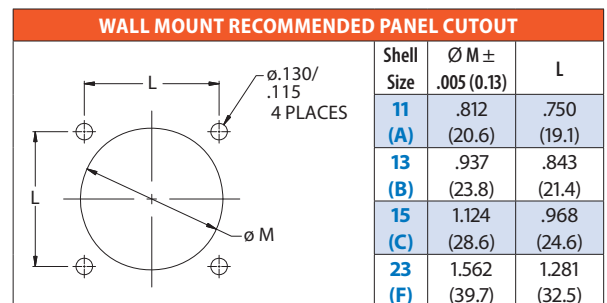
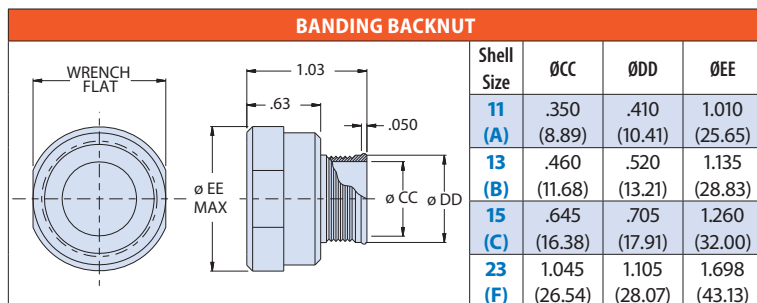
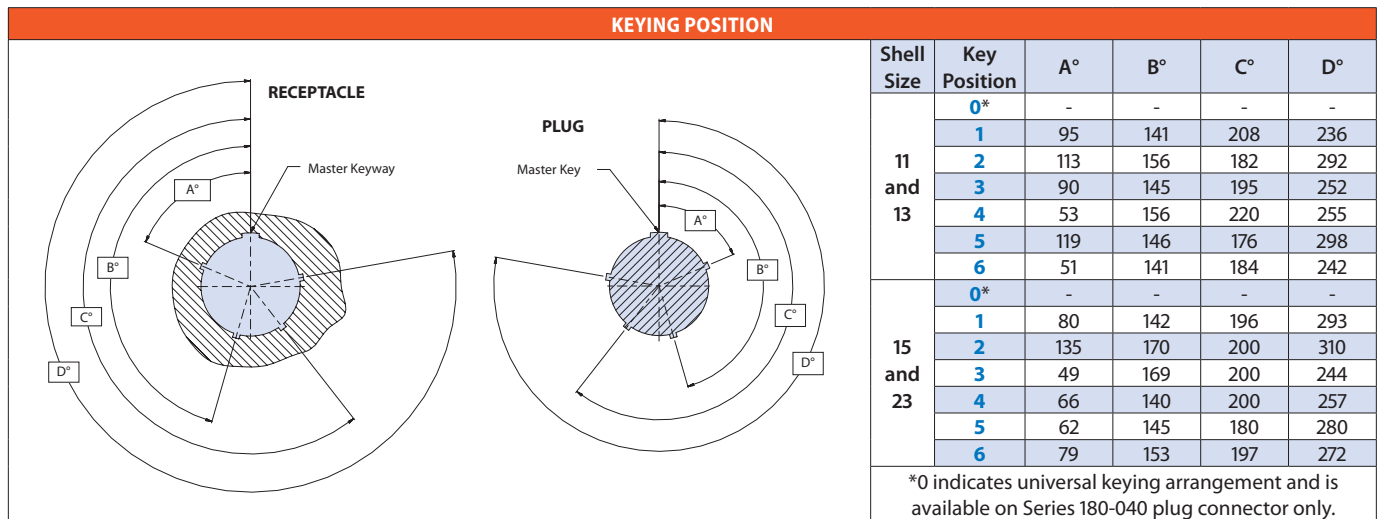
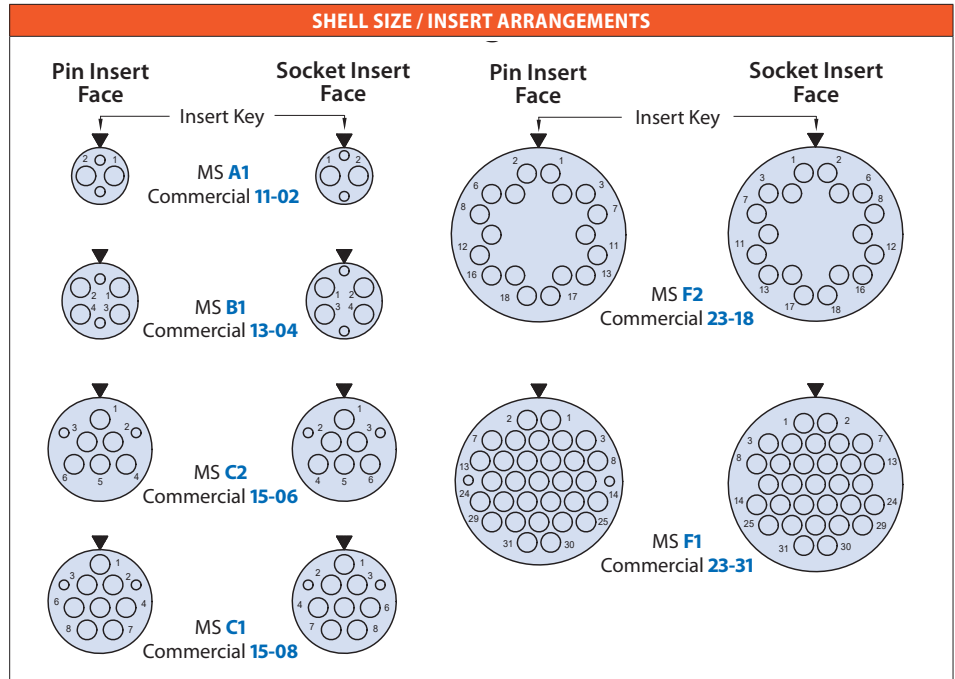
CONNECTOR TYPE			
Connector Type	Backshell Type	MIL-Spec	Commercial
Wall Mount Receptacle	None	M28876/1	180-040 03
	Straight	M28876/2	180-040 13
	45°	M28876/3	180-040 23
	90°	M28876/4	180-040 33

MIL-PRF-28876 Wall-Mount Receptacle 180-040 (03, 13, 23, 33) • M28876 /1, /2, /3, /4

MATERIAL AND FINISH (COMMERCIAL 180-040 SERIES)		
Code	Material	Finish Description
GB4	Aluminum Alloy	Hard Anodize, Black with PTFE
ME		Electroless Nickel
MT		Nickel-PTFE, Grey
NF		Cadmium, Olive Drab
TZ		Tin-Zinc, Bronze-Gold
ZR		Zinc-Nickel, Black

BACKSHELL DESIGNATOR				
Backshell Designator	Max Allowable Cable Diameter by Shell Size			
	A (11)	B (13)	C (15)	F (23)
-1	.250 (6.4)	.285 (7.2)	.500 (12.7)	.866 (22.0)
-2	.346 (8.8)	.346 (8.8)	.250 (6.4)	1.000 (25.4)
-3	—	.453 (11.5)	.375 (9.5)	.600 (15.2)

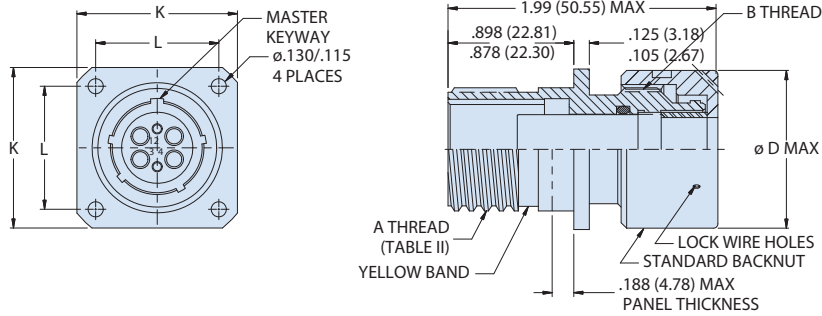
Shell size 13, backshell designator 3 connector supplied less boot.



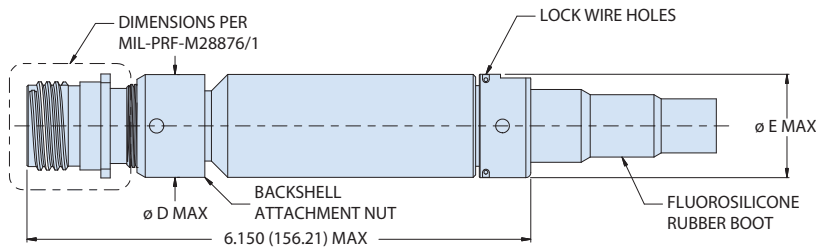
MIL-PRF-28876 Wall-Mount Receptacle
 180-040 (03, 13, 23, 33) • M28876 /1, /2, /3, /4

NAVSEA / Underwater Fiber Optics

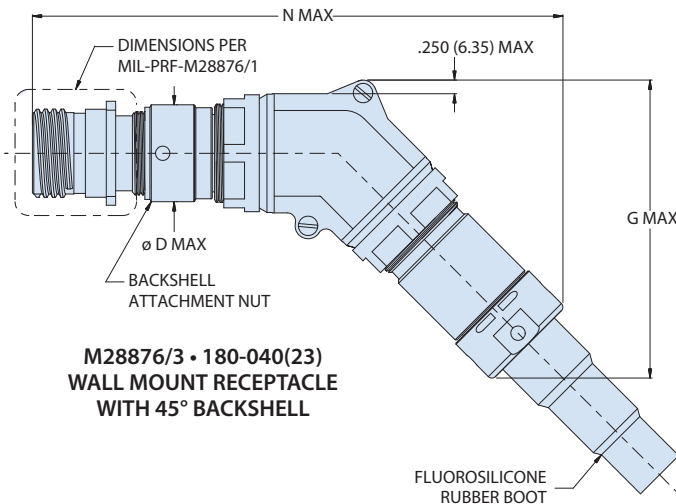
WALL MOUNT RECEPTACLE DIMENSIONS



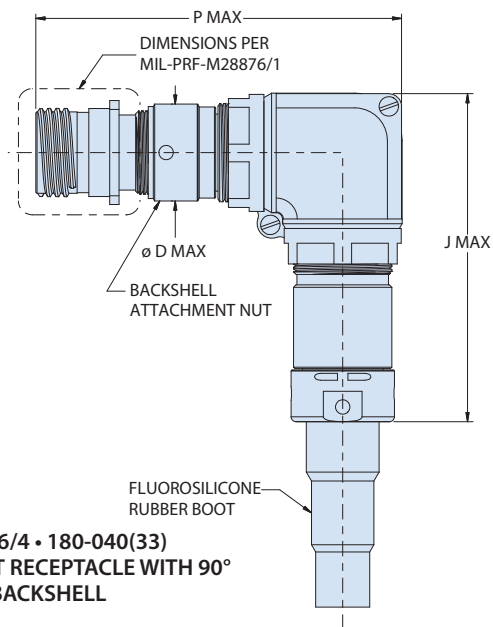
M28876/1 • 180-040(03)
 WALL MOUNT RECEPTACLE WITHOUT BACKSHELL



M28876/2 • 180-040(13)
 WALL MOUNT RECEPTACLE WITH STRAIGHT BACKSHELL



M28876/3 • 180-040(23)
 WALL MOUNT RECEPTACLE WITH 45° BACKSHELL



M28876/4 • 180-040(33)
 WALL MOUNT RECEPTACLE WITH 90° BACKSHELL

Shell Size	A Thread	B Thread Class 2B	ØD Max	ØE Max	G Max.	J Max.	K ±.020	L	N Max.	P Max.
11 (A)	.7500 .1P-2L-DS	.7500 -20 UNEF	.960 (24.4)	.960 (24.4)	3.540 (89.9)	4.250 (108.0)	1.022 (26.0)	.750 (19.1)	6.150 (156.2)	4.250 (108.0)
13 (B)	.8750 .1P-2L-DS	.8750 -20 UNEF	1.085 (27.6)	1.085 (27.6)	3.580 (90.9)	4.250 (108.0)	1.137 (28.9)	.843 (21.4)	6.220 (158.0)	4.250 (108.0)
15 (C)	1.0625 .1P-2L-DS	1.0000 -20 UNEF	1.255 (31.9)	1.257 (31.9)	3.850 (97.8)	4.500 (114.3)	1.257 (31.9)	.968 (24.6)	6.500 (165.1)	4.700 (119.4)
23 (F)	1.5000 .1P-2L-DS	1.4375 -18 UNEF	1.695 (43.1)	1.763 (44.8)	5.000 (127.0)	5.000 (127.0)	1.718 (43.6)	1.281 (32.5)	7.500 (190.5)	5.000 (127.0)