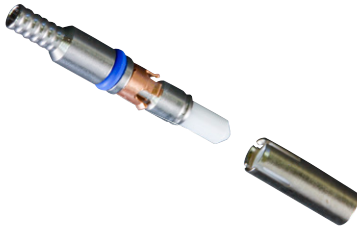


MIL-PRF-28876 Qualified Fiber Optics 181-040 M29504/15 socket terminus



MATERIAL AND FINISH

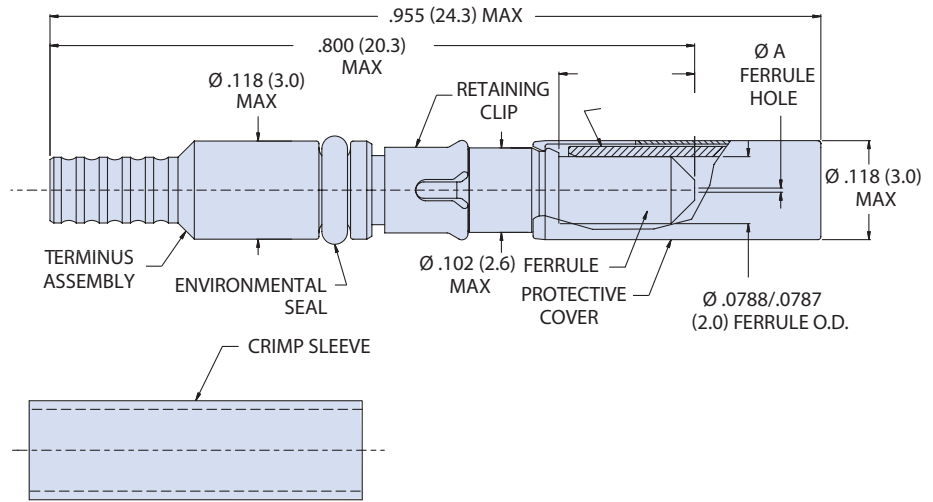
- Alignment Sleeve, Ferrule: Zirconia Ceramic
- Protective cover: BeCu Alloy / Nickel
- Terminus Assembly: Stainless Steel / Passivate
- Retaining Clip: BeCu Alloy
- Seal: Fluorosilicone
- Crimp Sleeve: Brass Alloy / Nickel

NOTES

- Crimp sleeve is supplied with terminus and may be ordered separately (see table). For terminus less crimp sleeve omit **C** from end of part number.
- Alignment sleeve assembly is supplied with terminus assembly and may be ordered separately (see table). For terminus less alignment sleeve assembly, add **N** to end of part number (e.g. 181-040-1260CN).
- See Glenair GAP-036 for termination procedure and assembly tools.

SOCKET TERMINI - HOW TO ORDER				
Mil-Spec Part Number	ØA (Microns)	Fiber Type	Fiber Size Core/Cladding (Microns)	Commercial Part Number
M29504/15-4180C	125.0	Singlemode	9/125	181-040-1250C
Not listed in Mil-Spec	125.5	Singlemode	9/125	181-040-1255C
M29504/15-4181C	126.0	Singlemode	9/125	181-040-1260C
M29504/15-4171C	126.0	Multimode	50/125, 62.5/125	181-040-1260C
M29504/15-4172C	127.0	Multimode	50/125, 62.5/125	181-040-1270C
M29504/15-4175C	142.0	Multimode	100/140	181-040-1420C

Consult factory for additional sizes and MIL-SPEC QPL status.



TOOLS AND ACCESSORIES	
Part Number	Description
265-008	Crimp Sleeve Ø 2.4mm Max Jacket (Mil-Spec Type)
265-010	Alignment Sleeve Assembly
182-012	Crimp Tool
182-013	Insertion Tool, Straight
182-014	Insertion Tool, 90°
182-015	Removal Tool
182-016	Alignment Sleeve Assembly Insertion/Removal Tool
182-035	Hand Polishing Tool