

189-015 Environmental Banding Backshell for MIL-PRF-28876 fiber optic connectors

NAVSEA / Underwater Fiber Optics



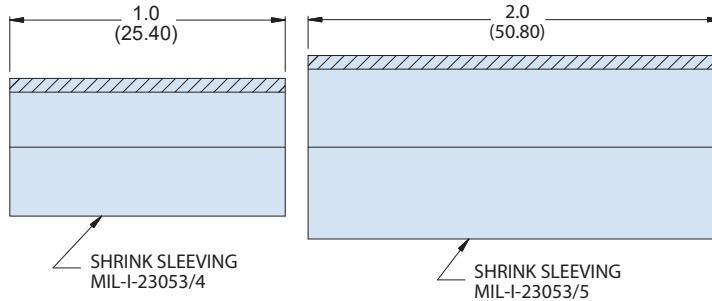
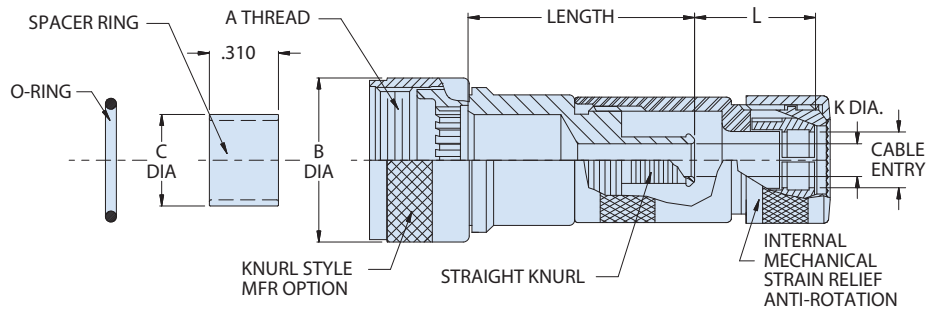
HOW TO ORDER						
Sample Part Number	189-015	NF	13	05	-3	B
Basic Number	Environmental Banding Backshell for M28876 fiber optic connectors					
Material/Finish	See Material and Finish table					
Shell Size	11, 13, 15, 23 (See Shell Size and Dimensions table)					
Dash No	See Cable Entry and Shrink Sleeve Dash Number Table					
Increments	Length in 1/2 inch increments. 1.5" minimum. (e.g. -3 = 1 1/2")					
Banding	Band 600-052 Supplied (Omit If Not Required)					

MATERIAL AND PLATING

- Clamp Components: Ryton R 4XT-Black, Ultem 1000-Natural
- Anti-Rotation Device: Torlon 42031-Natural
- O-Ring: Fluorosilicone

NOTES

- Glenair 600 Series Backshell assembly tools are recommended for assembly and installation.
- Spacer Ring and O-Ring are packaged loose and must be installed with Connector at time of assembly. The spacer is utilized to retain the terminus Insert.
- For Shield termination see Glenair drawing 600-050 & 600-052.
- MIL-I-32053/4 & /5 Shrink sleeve included, packaged loose. Heat shrink /4 sleeve over rear of adapter before /5 shrink sleeve.
- For assembly instructions, see GAP-064



MATERIAL AND FINISH		
Code	Material	Finish Description
B	Aluminum Alloy	Cadmium, Olive Drab
J		Gold Iridite over Cad Plate over Nickel
M		Electroless Nickel
NF		Cad / Olive Drab over Nickel
T		Cad Plate / Bright Dip over Nickel

CABLE ENTRY AND SHRINK SLEEVE DASH NUMBER								
Dash No.	Clamp Size	Cable Dia Max	K Dia ±.005 (0.1)	L Max	MIL-I-23053 Shrink Sleeve	MIL-I-23053 Shrink Sleeve	Cable Entry Dia	
							Minimum	Maximum
05	12	.280 (7.1)	.312 (7.9)	1.11 (28.2)	/4-203-0	/5-107-0	.233 (5.2)	.375 (9.5)
07	16	.395 (10.0)	.438 (11.1)	1.21 (30.7)	/4-204-0	/5-108-0	.358 (8.3)	.500 (12.7)
09	20	.510 (13.0)	.562 (14.3)	1.21 (30.7)	/4-204-0	/5-109-0	.482 (11.5)	.625 (15.9)
11	24	.621 (15.8)	.688 (17.5)	1.21 (30.7)	/4-205-0	/5-106-0	.545 (13.1)	.750 (19.1)
13	28	.736 (18.7)	.812 (20.6)	1.36 (34.5)	/4-205-0	/5-110-0	.670 (16.3)	.875 (22.2)

SHELL SIZE AND DIMENSIONS					
Shell Size	Designator (Ref)	A Thread Class 2B	B Max	C Max	Max Dash Number
11	A	3/4 -20 UNEF	1.028 (26.1)	.410 (10.4)	05
13	B	7/8 -20 UNEF	1.141 (29.0)	.532 (13.5)	05
15	C	1 -20 UNEF	1.263 (32.1)	.710 (18.0)	07
23	F	1-7/16 -18 UNEF	1.703 (43.3)	1.116 (28.3)	13