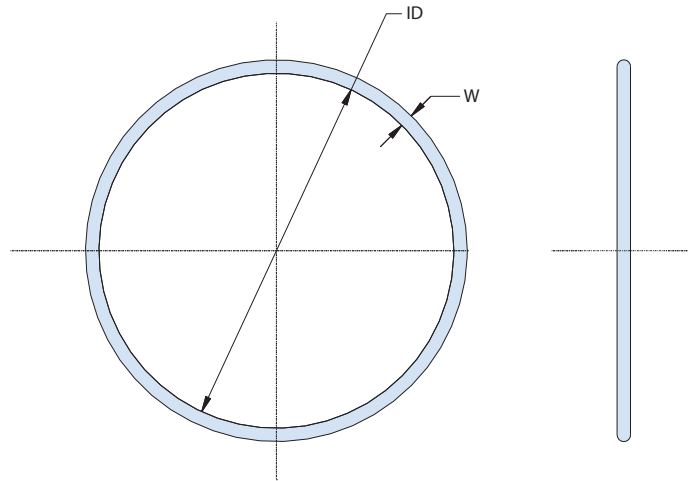


189-179 O-Ring for Jam Nut Mount Receptacle Connectors (Standard)
 189-144 Conductive O-Ring for Jam Nut Mount Receptacle Connectors

NAVSEA / Underwater Fiber Optics

HOW TO ORDER			
Sample Part Number	189-179	-15	F
Basic Number	MIL-PRF-28876-Style O-Ring for Jam Nut Mount Receptacle Connectors		
Dash Number	See Table I		
Material Designator	F= Fluorosilicone		

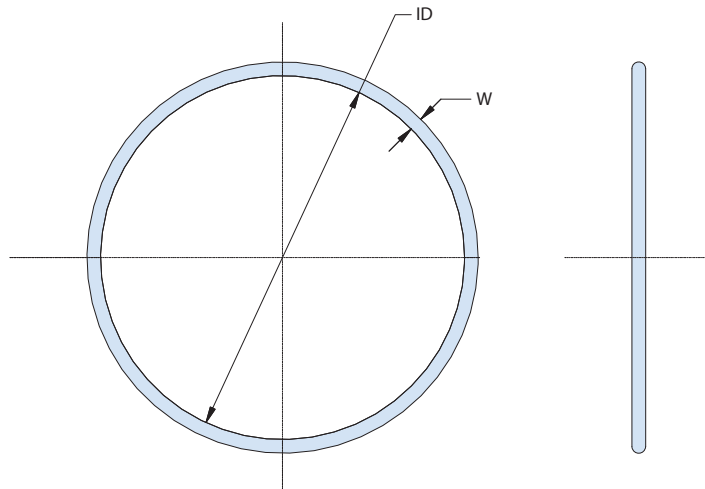


NOTES

- See Glenair drawing 189-144 for conductive material options.
- Packaging identified with manufacturer's name, cage code, part number, and date code.
- Parts of the same dash number may be packaged in bulk.

TABLE I	
Dash Number (Shell Size)	O-Ring ID X W
-11	.989 X .070
-13	1.114 X .070
-15	1.301 X .070
-23	1.739 X .070

HOW TO ORDER			
Sample Part Number	189-144	-15	C
Basic Number	MIL-PRF-28876-Style Panel Seal, Conductive O-Ring for Jam Nut Mount Receptacle Connectors		
Dash Number	See Table I		
Material Designator	C = Passivated silver plated aluminum filled fluorosilicone per MIL-DTL-83528, type "D" (cho-seal 1298 or equivalent)		



NOTES

- Parts of the same dash number may be packaged in bulk.
- Packaging identified with manufacturer's name, cage code, part number, and date code.

TABLE I	
Dash Number (Shell Size)	O-Ring ID X W
-11	.989 X .070
-13	1.114 X .070
-15	1.301 X .070
-23	1.735 X .070