

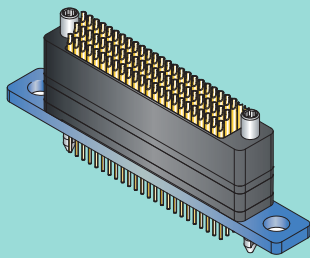
.062" PITCH COMPLIANT PIN

HD Stacker™



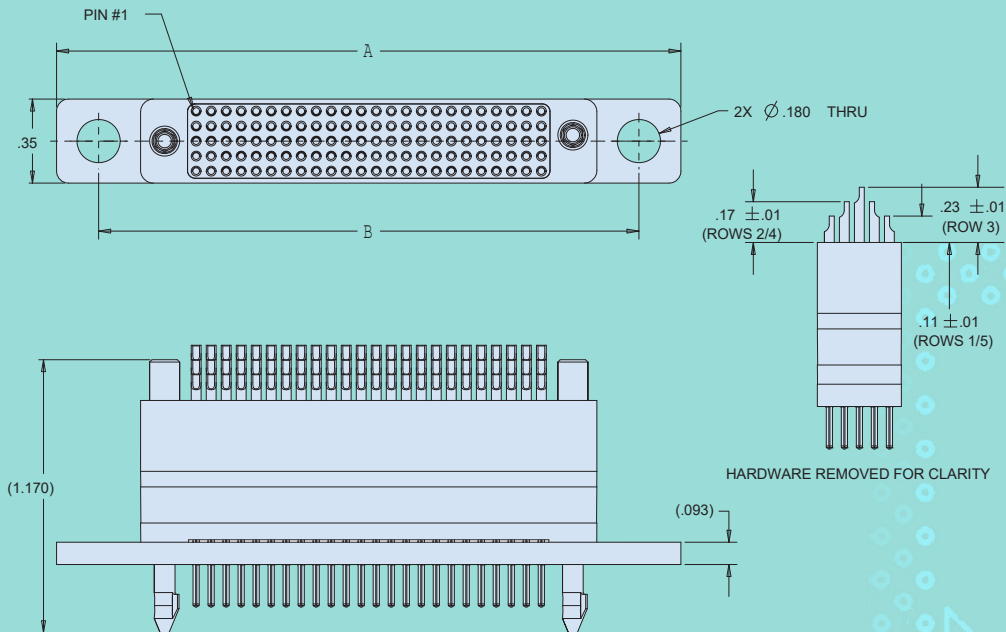
GST-1005 solder cup pin connector with guide hardware

MATES WITH GSTB



- High-density layouts from 40 to 240 contacts
- Polarized insulators
- Keyed guide pin hardware for mis-mate protection

How to Order GST-1005 HD Stacker Connectors				
Sample Part Number	GST-1005	-120	P	S -T1
Series	GST-1005 = Solder Cup Pin Connector w/ Guide Hardware			
Number of Contacts	40, 80, 120, 160, 200, 240			
Contact Type	P = Pin			
Termination Type	S = Solder Cup			
Hardware				



Number of Contacts	A		B	
	in	mm	in	mm
40	1.60	40.64	1.25	31.75
80	2.10	53.34	1.75	44.45
120	2.60	66.04	2.25	57.15
160	3.10	78.74	2.75	69.85
200	3.60	91.44	3.25	82.55
240	4.10	104.14	3.75	95.25