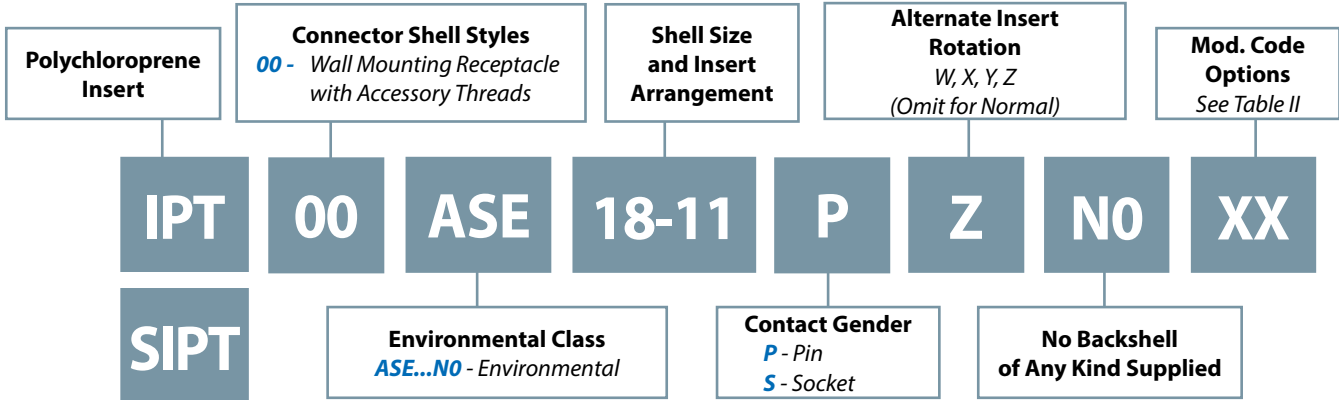
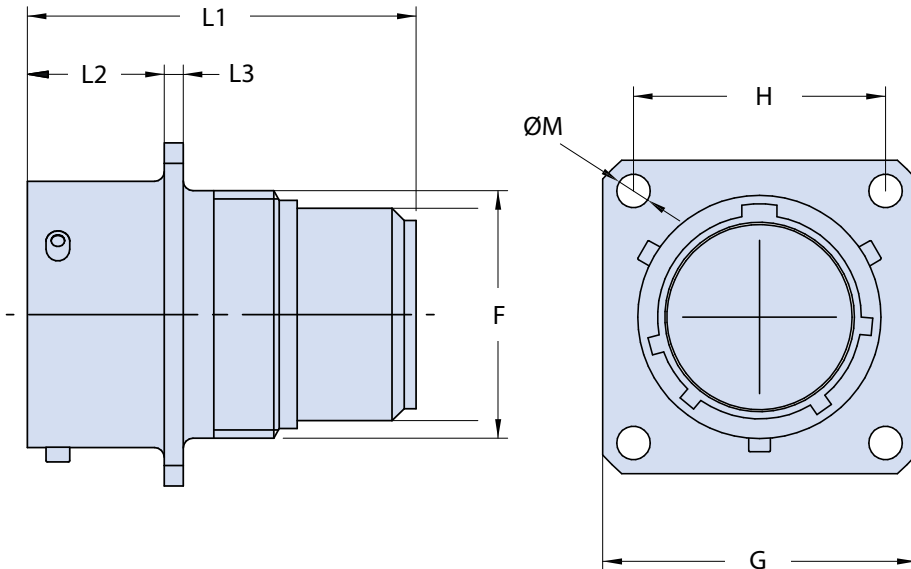




IPT 00 ASE...NO Front Panel Mount Square Flange Receptacle without Backshell



B
Silicone Insert



Application Notes

1. Wall mounting receptacle with accessory threads in the rear flange for the backshell and accessories attachment; through mounting holes.
2. Connector Class "ASE...NO" (environmental).
3. Standard materials configuration consists of aluminum alloy with stainless steel coupling pins.
4. Standard contact material consists of copper alloy with gold plating over nickel.
5. A broad range of other front and rear connector accessories are available. See our website and/or contact factory for complete information.
6. Standard insert is high insulation synthetic rubber.

IPT 00 ASE...N0
Front Panel Mount Square Flange Receptacle
without Backshell

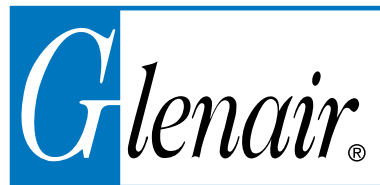


TABLE I: DIMENSIONS

Shell size	G ±0.4	H ±0.1	ØM +0.1 0	F Thread in inches	L1 Max.	L2 +0.8 -0	L3 Max.
8	20.6	15.10	3.04	.4375 - 28 UNEF	33.5	10.94	2.0
10	23.8	18.25	3.04	.5625 - 24 UNEF	33.5	10.94	2.0
12	26.2	20.60	3.04	.6875 - 24 UNEF	33.5	10.94	2.0
14	28.6	23.00	3.04	.8125 - 20 UNEF	33.5	10.94	2.0
16	31.0	24.60	3.04	.9375 - 20 UNEF	33.5	10.94	2.0
18	33.3	27.00	3.04	1.0625 - 18 UNEF	33.5	10.94	2.0
20	36.5	29.40	3.04	1.1875 - 18 UNEF	34.7	14.12	2.8
22	39.7	31.75	3.04	1.3125 - 20 UNEF	36.0	14.12	2.8
24	42.8	34.92	3.73	1.4375 - 18 UNEF	36.0	14.96	2.8



TABLE II: MODIFICATION CODES

CONTACT OPTIONS	
Sym	Description
B0	Connector Without Contacts (Only for crimp version)
FINISH OPTIONS	
Sym	Description and RoHS compliant
F6	Black Electrodeposited Paint
F7	Black Zinc Nickel
F11	Electroless Nickel
MB	Marine Bronze
Omit for standard version (Cadmium Olive Drab Finish)	