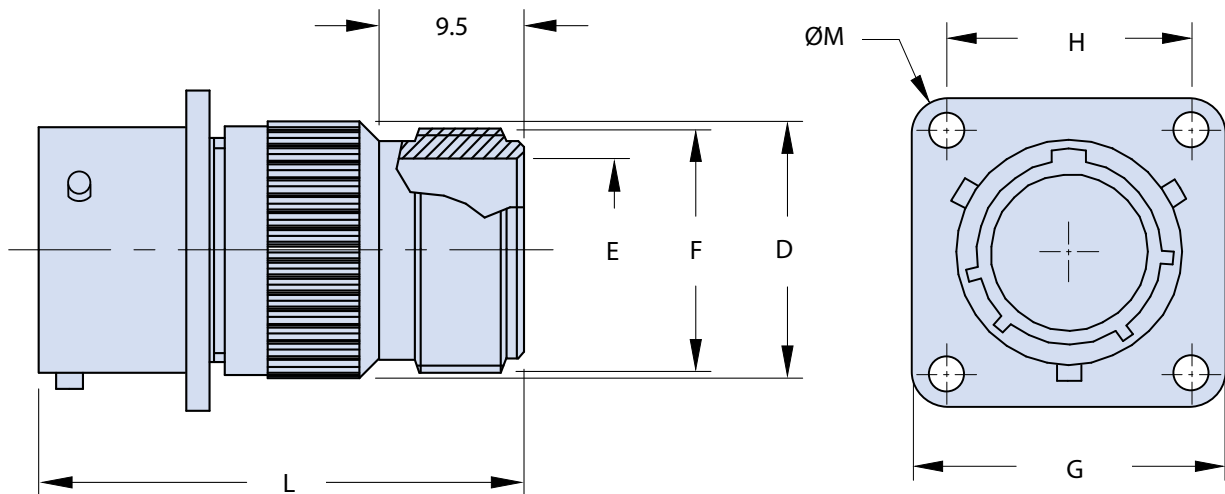
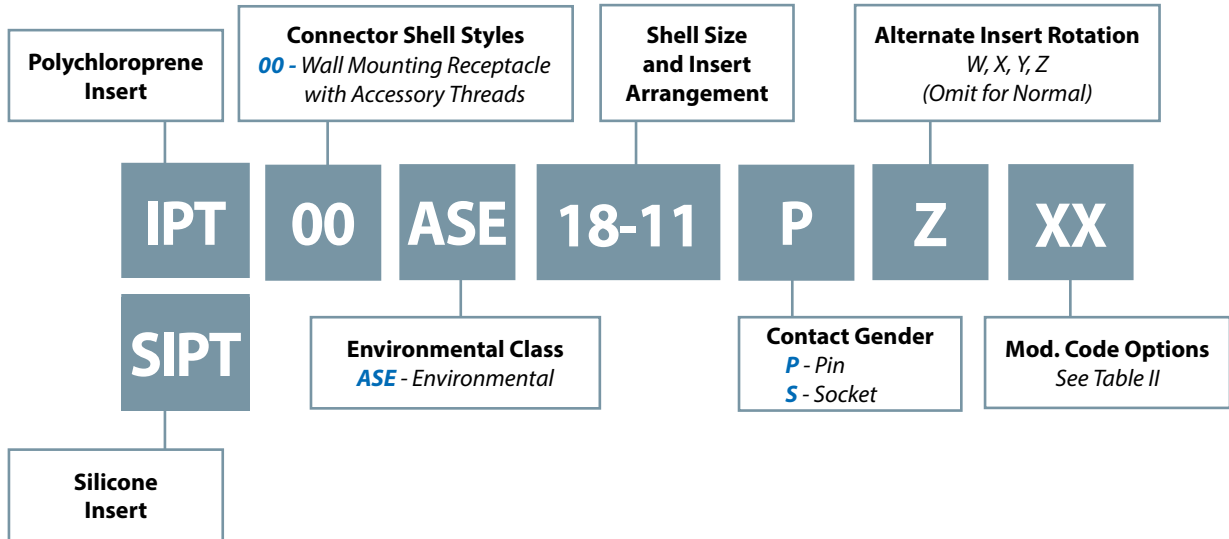




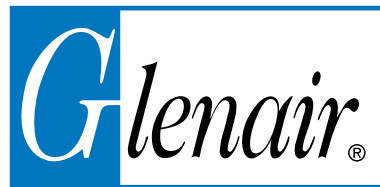
# IPT 00 ASE Front Panel Mount Square Flange Receptacle with Backshell



### Application Notes

1. Wall mounting receptacle with accessory threads. Through mounting holes.
2. Connector Class "ASE" (environmental).
3. Standard materials configuration consists of aluminum alloy with stainless steel coupling pins.
4. Standard contact material consists of copper alloy with gold plating over nickel.
5. A broad range of other front and rear connector accessories are available. See our website and/or contact factory for complete information.
6. Standard insert is high insulation synthetic rubber.

**IPT 00 ASE**  
**Front Panel Mount Square Flange Receptacle**  
**with Backshell**



**TABLE I: DIMENSIONS**

Shell size	D Max.	E min.	F Thread in inches	G ±0.4	H ±0.1	ØM +0.1 0	L Max.
8	15.00	7.55	.5000 - 28 UNEF	20.6	15.10	3.04	45.9
10	18.20	10.70	.6250 - 24 UNEF	23.8	18.25	3.04	45.9
12	21.20	13.85	.7500 - 20 UNEF	26.2	20.60	3.04	45.9
14	24.60	16.85	.8750 - 20 UNEF	28.6	23.00	3.04	45.9
16	27.60	20.00	1.0000 - 20 UNEF	31.0	24.60	3.04	45.9
18	30.90	22.30	1.1875 - 18 UNEF	33.3	27.00	3.04	45.9
20	33.80	25.75	1.1875 - 18 UNEF	36.5	29.40	3.04	50.0
22	37.10	28.80	1.4375 - 18 UNEF	39.7	31.75	3.04	50.0
24	40.25	32.00	1.4375 - 18 UNEF	42.8	34.92	3.73	50.0

**B**

**TABLE II: MODIFICATION CODES**

CONTACT OPTIONS	
Sym	Description
<b>B0</b>	Connector Without Contacts (Only for crimp version)
FINISH OPTIONS	
Sym	Description and RoHS compliant
<b>F6</b>	Black Electrodeposited Paint
<b>F7</b>	Black Zinc Nickel
<b>F11</b>	Electroless Nickel
<b>MB</b>	Marine Bronze
<b>Omit for standard version (Cadmium Olive Drab Finish)</b>	