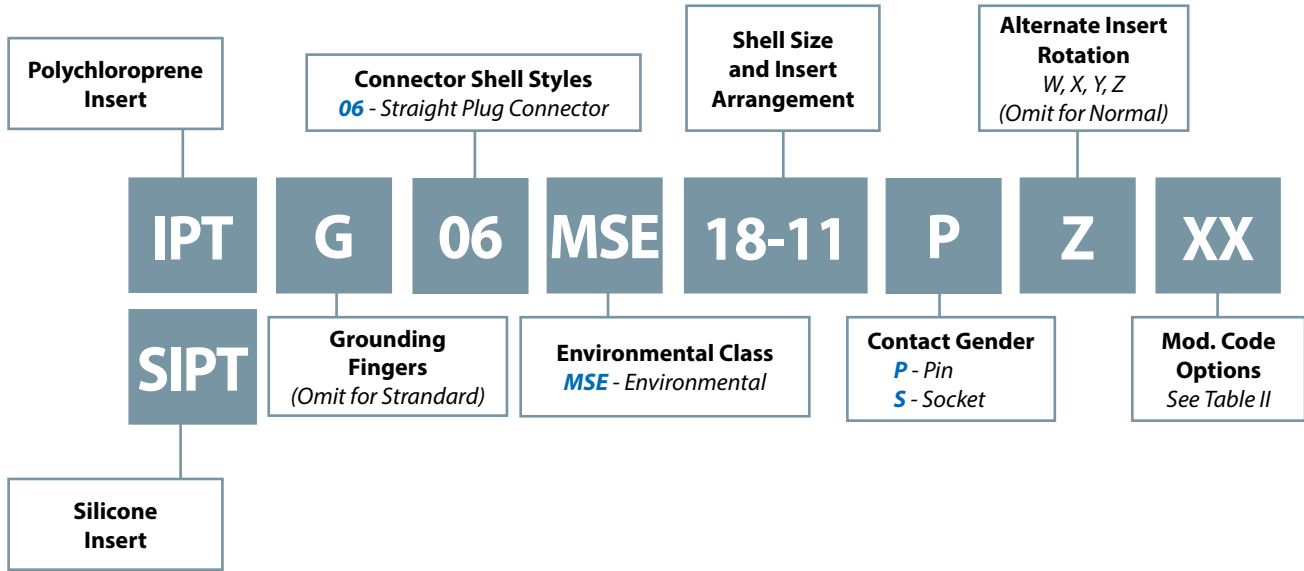


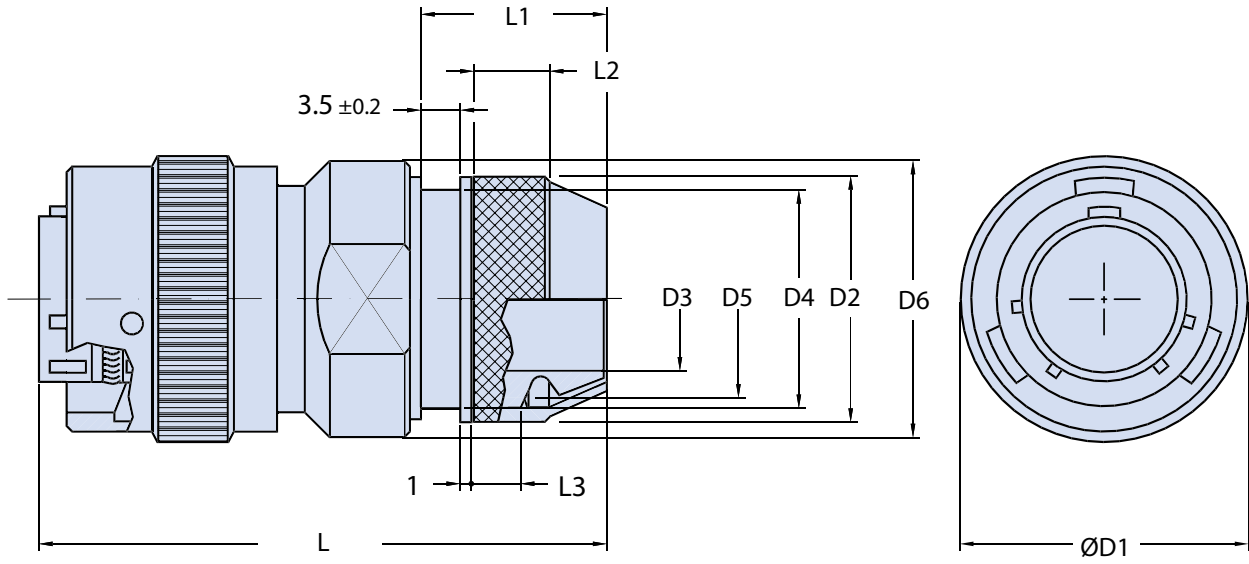


IPT 06 MSE

Straight Plug Connector with Backshell Suitable for EMI Shield Termination and Heat Shrink Boot



B



Application Notes

1. Straight plug connector with shrink boot backshell.
2. Connector Class "MSE" (environmental).
3. Standard materials configuration consists of aluminum alloy.
4. Standard contact material consists of copper alloy with gold plating over nickel.
5. A broad range of other front and rear connector accessories are available. See our website and/or contact factory for complete information.
6. Standard insert is high insulation synthetic rubber.

IPT 06 MSE
Straight Plug Connector
with Backshell Suitable for
EMI Shield Termination and Heat Shrink Boot

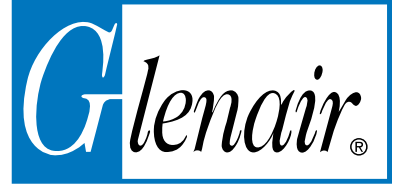


TABLE I: DIMENSIONS

Shell size	ØD1 ±0.2	D2 + 0.5 - 0	D3 Min.	D4	D5	D6 Max.	L	L1 + 0 - 2.5	L2 +1.5 - 0	L3 Min.
8	18.10	16	6.6	13.5	M14 x 1	20	55	17	5	4
10	21.05	18	9.2	16.0	M16 x 1	23	55	17	5	4
12	25.15	22	12.2	20.0	M20 x 1	27	55	17	7	5
14	28.40	25	15.2	22.0	M23 x 1	30	56	18	8	6
16	31.60	28	18.3	26.0	M26 x 1	33	56	18	8	6
18	35.00	32	20.0	28.2	M30 x 1	36	56	18	10	6
20	37.70	34	23.0	30.5	M32 x 1	40	60	18	10	6
22	40.20	38	26.0	34.5	M36 x 1	43	60	18	10	6
24	44.00	41	28.8	37.2	M39 x 1	46	62	18	10	6

B

TABLE II: MODIFICATION CODES

CONTACT OPTIONS	
Sym	Description
B0	Connector Without Contacts (Only for crimp version)
FINISH OPTIONS	
Sym	Description and RoHS compliant
F7	Black Zinc Nickel
F11	Electroless Nickel
MB	Marine Bronze
Omit for standard version (Cadmium Olive Drab Finish)	