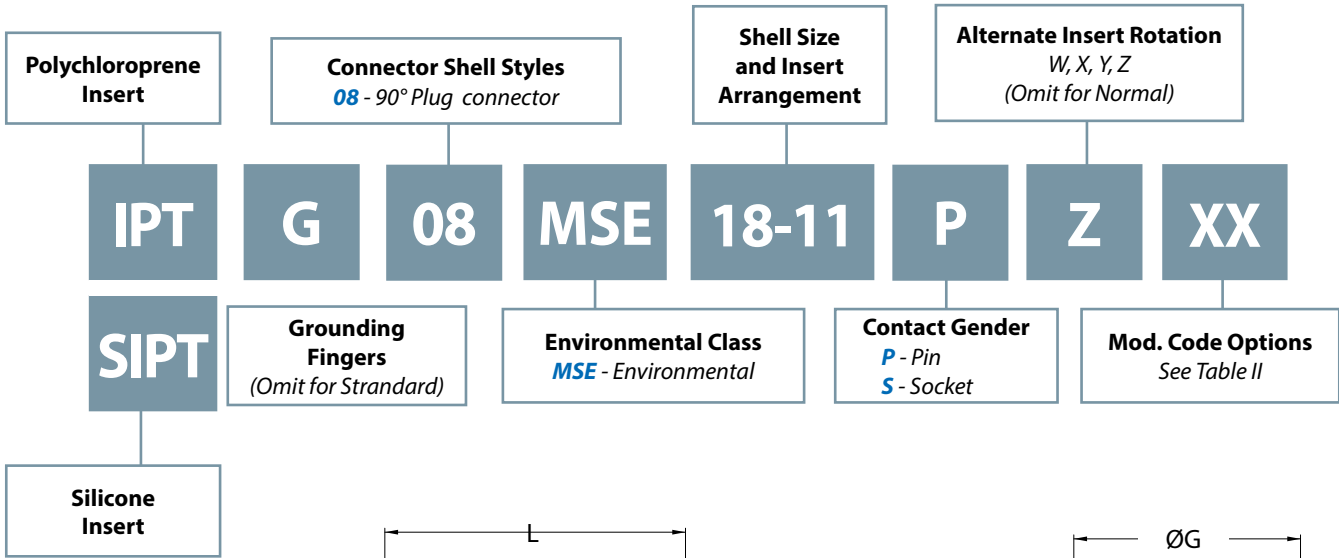
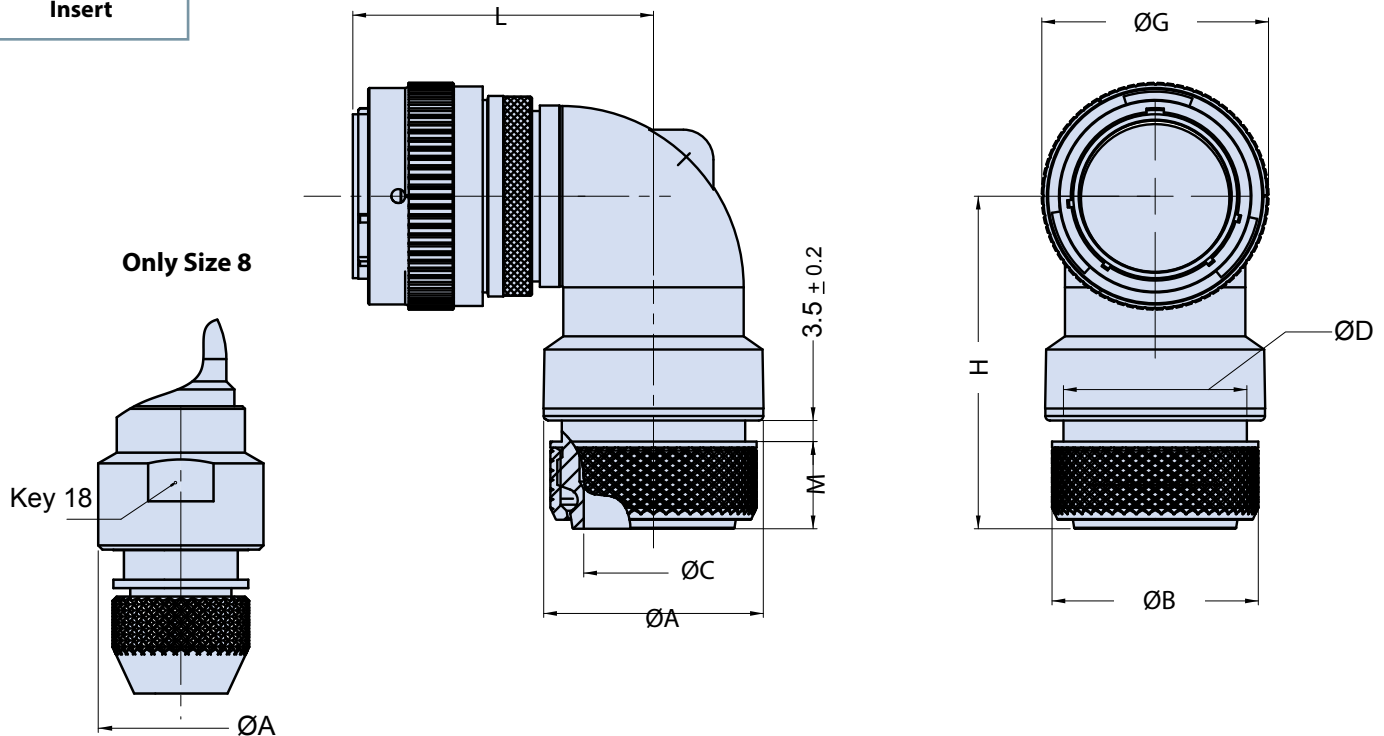




IPT 08 MSE 90° Plug Connector with Backshell for EMI Shield Termination and Shrink Boot



B



Application Notes

1. Straight plug connector with 90° Backshell.
2. Connector Class "MSE" (environmental).
3. Standard materials configuration consists of aluminum alloy with stainless steel coupling pins.
4. Standard contact material consists of copper alloy with gold plating over nickel.
5. Standard insert is high insulation synthetic rubber.

IPT 08 MSE
90° Plug Connector
 with Backshell
 for EMI Shield Termination and Shrink Boot

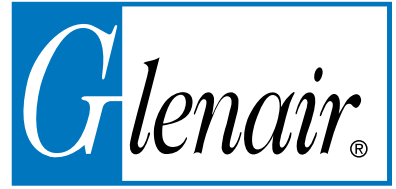


TABLE I: DIMENSIONS

Shell Size	ØA ± 0.2	ØB ± 0.2	ØC +0.1/0	ØD 0/-0.2	M ± 0.5	ØG ±0.2	L Max.	H Max.
8	19.6	16.20	6.80	13.50	13.50	18.10	34.50	45.50
10	19.05	18.30	9.30	15.80	12.50	21.05	37.50	45.10
12	22.00	22.30	12.25	19.80	13.50	25.15	37.50	48.00
14	25.50	25.30	15.40	22.60	14.50	28.40	39.20	49.50
16	30.175	28.30	18.50	26.00	14.50	31.60	44.40	52.70
18	30.175	32.30	20.20	28.20	14.50	35.00	46.60	56.60
20	36.60	34.30	23.30	30.50	14.50	37.70	50.50	55.80
22	36.60	38.20	26.00	34.00	14.50	40.20	54.40	59.60
24	44.80	41.30	29.00	37.20	14.50	44.00	55.70	58.60

B

TABLE II: MODIFICATION CODES

CONTACT OPTIONS	
Sym	Description
B0	Connector Without Contacts (Only for crimp version)
FINISH OPTIONS	
Sym	Description and RoHS compliant
F7	Black Zinc Nickel
F11	Electroless Nickel
MB	Marine Bronze
Omit for standard version (Cadmium Olive Drab Finish)	