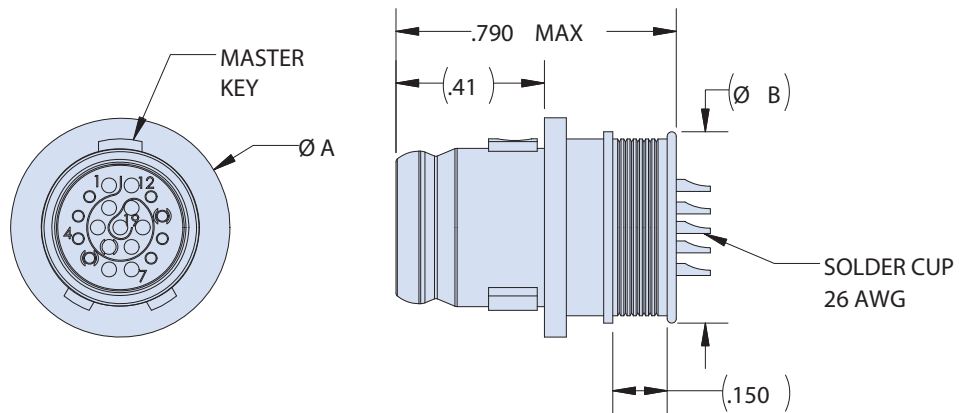


# SERIES 86 SealTac Tactical Push-Pull Connectors

## 860-050-06 target contact push-pull in-line plug



How To Order						
<b>Sample Part Number</b>	<b>860-050</b>	<b>-06</b>	<b>ME</b>	<b>08-19</b>	<b>S</b>	<b>A</b>
<b>Series</b>	860-050 = target contact push-pull plug					
<b>Shell Style</b>	-06 = In-line Plug					
<b>Material / Finish</b>	ME = Aluminum Electroless Nickel ZR = Aluminum / Black Zinc Nickel Z1 = 316 Stainless Steel / Passivated					
<b>Shell Size - Insert Arrangement</b>	06-7, 07-10, 08-19 (See Table)					
<b>Termination</b>	S = PC Tail F = Solder Cup					
<b>Key Position</b>	A = Normal B = Pos. B C = Pos. C D = Pos. D E = Pos. E F = Pos. F					



MIGHTY MOUSE SEALTAC

Dimensions		
Shell Size/ Ins. Arr.	ØA Max	ØB
06-7	.500 (12.7)	.41 (10.4)
07-10	.545 (13.8)	.45 (11.4)
08-19	.625 (15.9)	.53 (13.5)

Shell Size / Contact Arrangements		
06-7 shell size 6, 7 contacts	07-10 shell size 7, 10 contacts	08-19 shell size 8, 19 contacts

### MATERIAL / FINISH

- Insulator: high-temperature thermoplastic
- Contacts: Copper alloy, gold over nickel plated

### TECHNICAL SPECIFICATIONS

- Temperature range -55°C to +125°C
- DWV: 500 VAC
- Current: 2A max
- Fully-sealed, water immersion: 30 PSI / IP68 mated and unmated