



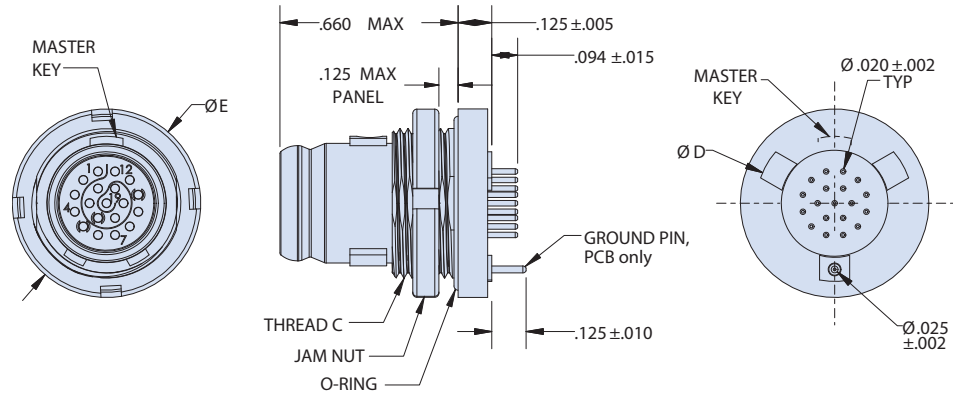
SERIES 86 SealTac Tactical Push-Pull Connectors

860-050-07 target contact push-pull jam nut mount plug

MIGHTY MOUSE SEALTAC



How To Order						
Sample Part Number	860-050	-07	ME	08-19	F	A
Series	860-050 = target contact push-pull plug					
Shell Style	-07 = Jam Nut mount					
Material / Finish	ME = Aluminum Electroless Nickel ZR = Aluminum / Black Zinc Nickel Z1 = 316 Stainless Steel / Passivated					
Shell Size - Insert Arrangement	06-7, 07-10, 08-19 (See Table)					
Termination	S = PC Tail F = Solder Cup					
Key Position	A = Normal B = Pos. B C = Pos. C D = Pos. D E = Pos. E F = Pos. F					



Dimensions			
Shell Size/ Ins. Arr.	C Thread	ØD	ØE Max
06-7	M10 X 0.5	.446 (11.3)	.525 (13.3)
07-10	M11 X 0.75	.488 (12.4)	.615 (15.6)
08-19	M14 X 0.75	.572 (14.5)	.695 (17.7)

Shell Size / Contact Arrangements		
06-7 shell size 6, 7 contacts	07-10 shell size 7, 10 contacts	08-19 shell size 8, 19 contacts

Panel Cutout		
Shell Size/ Ins. Arr.	F	G
06-7	.366/.370	.398/.402
07-10	.398/.402	.437/.441
08-19	.516/.520	.555/.559

MATERIAL / FINISH

- Insulator: high-temperature thermoplastic
- O-ring: fluorosilicone
- Contacts: Copper alloy, gold over nickel plated

TECHNICAL SPECIFICATIONS

- Temperature range -55°C to +125°C
- DWV: 500 VAC
- Current: 2A max
- Water immersion: 30 PSI / IP68 mated and unmated