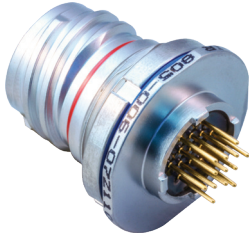




SERIES 805 TRIPLE-START ACME THREAD Mighty Mouse Connectors and Cables



Glass-Sealed Hermetic Receptacle with PC Tails or Solder Cup Contacts



Series 805 Hermetic Receptacles

Glass-to-metal seal hermetic connectors feature solder cup contacts for direct wire attachment or PC tails for PC board termination. Contacts are gold plated, nickel alloy pin contacts and copper alloy socket contacts. Shell styles include square flange, solder mount, jam-nut, and weld mount. Connectors are 100% tested to meet 1×10^{-7} ccHe/sec at 1 atm helium leak rate. Contacts are non-removable, back potted, and parylene compatible. Consult factory for additional arrangements.

How To Order	
Sample Part Number	805-006 -02 Z1 8-7 P A
Series	805-006 = Hermetic Receptacle with Solder Cups
Shell Style (See Table I)	-02 = Square Flange, Front or Rear Mount Receptacle -03 = Solder Mount Receptacle -07 = Jam-Nut, Rear Panel Mount Receptacle -13 = Weld Mount, Front Panel Mount Receptacle
Material and Finish	Z1 = Stainless Steel / Passivated ZL = Stainless Steel / Electrodeposited Nickel
Shell Size - Insert Arrangement	See page J-6*
Contact Type	P = Pin, Solder Cup S = Socket, Solder Cup C = Pin, P.C. Termination D = Socket, P.C. Termination
Shell Key Positions (See Table II)	A = Normal B = Pos. B C = Pos. C D = Pos. D E = Pos. F F = Pos. F

*Power and signal contacts only. For shielded contact applications, see P/N 805-130

Table I: Shell Style

-02 Square Flange	-07 Jam-Nut
-03 Solder Mount	-13 Weld Mount

Table II: Key Positions

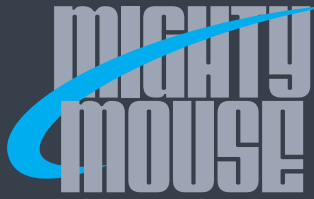
Position	A	B
A (Normal)	150°	210°
B	75°	210°
C	95°	230°
D	140°	275°
E	75°	275°
F	95°	210°

DWV Rating

Contact Sizes	Test Voltage
23	750 Vac
20 HD	1000 Vac
16, 12, 8	1800 Vac

NOTES

- This connector mates with all quick coupling high density plug connectors with same polarization and opposite contact gender 805-001, 805-002
- For additional insert arrangements consult factory
- Contacts are non removable and connector is back potted
- Hermeticity is less than 1×10^{-7} ccHe/second at one atmosphere
- See page J-11 for recommended panel cut-outs
- Material/Finish:
 - Shell, jam-nut: CRES / passivate or plate as required
 - Contacts, hermetic: alloy 52 / gold plate
 - Contacts, socket: copper alloy / gold plate
 - Seals: fluorosilicone / N.A.
 - Insulator, hermetic: fused glass / N.A.
 - Insulator, socket: rigid dielectric / N.A.

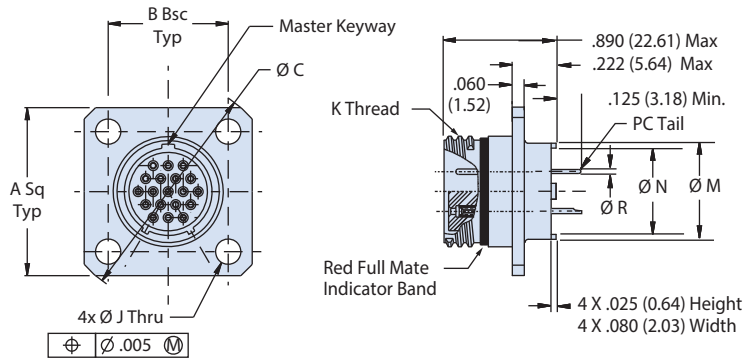


SERIES 805 TRIPLE-START ACME THREAD Mighty Mouse Connectors and Cables



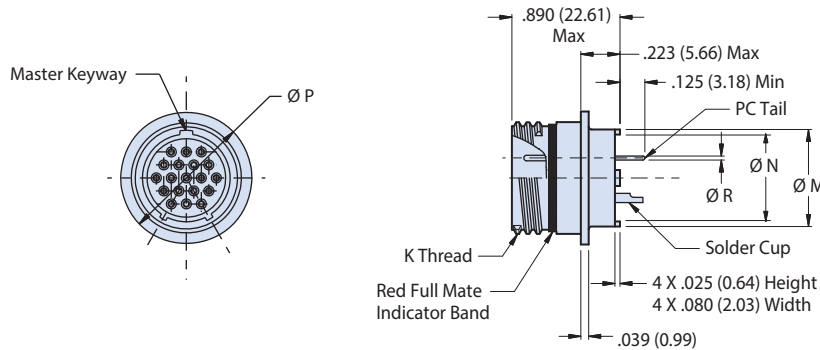
Glass-Sealed Hermetic Receptacle with PC Tails or Solder Cup Contacts

SQUARE FLANGE RECEPTACLE - SHELL STYLE 02



PC Tails	
Contact Size	Ø R ±.002 (.05)
#23	.020 (0.51)
#20	.026 (0.66)
#16	.062 (1.57)
#12	.094 (2.39)

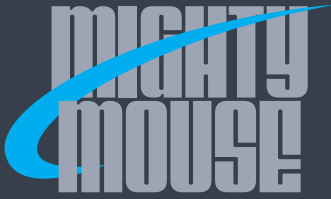
SOLDER MOUNT RECEPTACLE - SHELL STYLE 03



PC Tails	
Contact Size	Ø R ±.002 (.05)
#23	.020 (0.51)
#20	.026 (0.66)
#16	.062 (1.57)
#12	.094 (2.39)

Dimensions													
Shell Size	A Sq	B Bsc	Ø C	J Holes	K Thread .1P-.3L-TS	Ø M	Ø N Min	Ø P	H BSC	Square Flange Cutout			
										J Holes	Ø P		
8	.850 (21.59)	.660 (16.76)	1.150 (29.21)	.096 (2.44) .091 (2.31)	.5000	.330 (8.38)	.230 (5.84)	.625 (15.88)	.660 (16.76)	.096 (2.43) .091 (2.31)	.515 (13.08)		
9	.913 (23.19)	.723 (18.36)	1.230 (31.24)		.5625	.432 (10.97)	.322 (8.18)	.688 (17.48)	.723 (18.36)		.578 (14.68)		
10	.975 (24.76)	.785 (19.94)	1.330 (33.78)		.6250	.493 (12.52)	.386 (9.80)	.750 (19.05)	.785 (19.94)		.640 (16.26)		
11	1.039 (26.39)	.848 (21.54)	1.410 (35.81)		.6875	.553 (14.05)	.442 (11.23)	.812 (20.62)	.848 (21.54)		.703 (17.86)		
12	1.099 (27.91)	.909 (23.09)	1.500 (38.10)		.7500	.620 (15.75)	.513 (13.03)	.875 (22.23)	.909 (23.09)		.765 (19.43)		
13	1.163 (29.54)	.973 (24.71)	1.590 (40.39)		.8125	.661 (16.79)	.554 (14.07)	.938 (23.83)	.973 (24.71)		.828 (21.03)		
15	1.288 (32.72)	1.058 (26.87)	1.750 (44.45)		.9375	.703 (17.86)	.594 (15.09)	1.062 (26.97)	1.058 (26.87)		.953 (24.21)		
18	1.475 (37.47)	1.255 (31.88)	2.000 (50.80)		.130 (3.30)	1.1250	.863 (21.92)	.750 (19.05)	1.250 (31.75)		1.255 (31.88)	.130 (.13)	1.140 (28.96)
19	1.537 (39.04)	1.327 (33.71)	2.094 (53.19)		.126 (3.20)	1.1875	.912 (23.16)	.805 (20.45)	1.312 (33.32)		1.327 (33.71)	.126 (3.20)	1.203 (3.56)
21	1.663 (42.24)	1.452 (36.88)	2.270 (57.66)			1.3125	1.017 (25.83)	.910 (23.11)	1.438 (36.53)		1.452 (36.88)		1.328 (33.73)
23	1.787 (45.39)	1.576 (40.03)	2.440 (61.98)		1.4375-	1.162 (29.51)	1.050 (26.67)	1.562 (39.67)	1.570 (39.88)		1.453 (36.91)		

SERIES 805 TRIPLE-START ACME THREAD

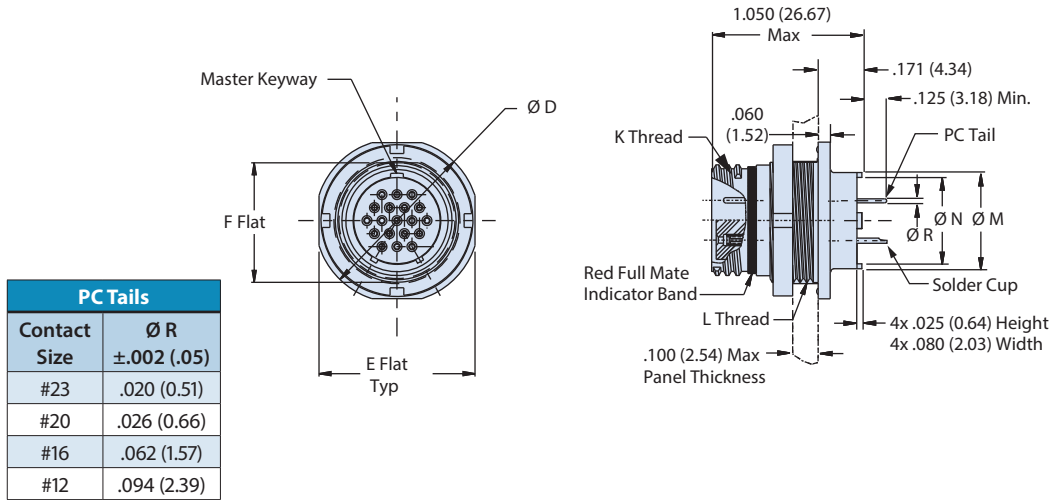


SERIES 805 TRIPLE-START ACME THREAD Mighty Mouse Connectors and Cables

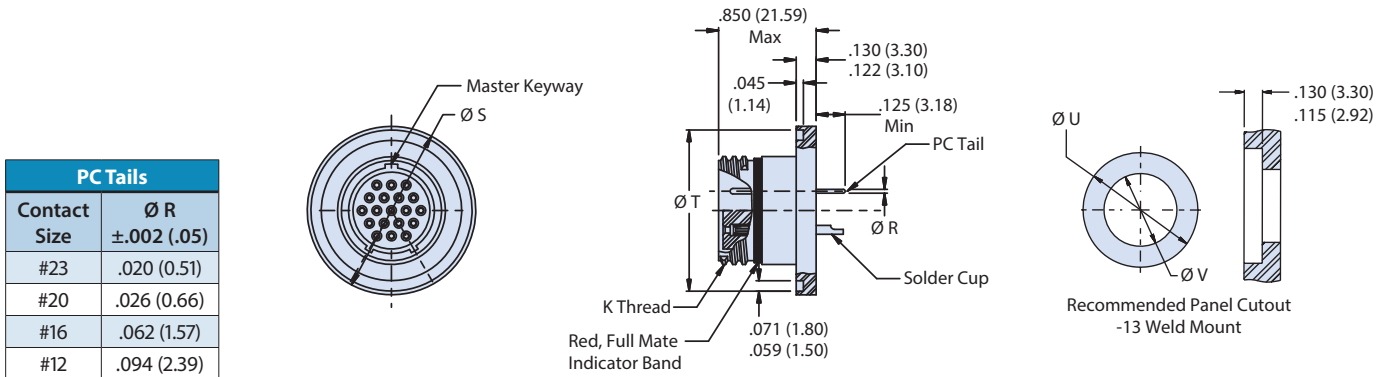


Glass-Sealed Hermetic Receptacle with PC Tails or Solder Cup Contacts

JAM-NUT MOUNT RECEPTACLE - SHELL STYLE 07



WELD MOUNT RECEPTACLE - SHELL STYLE 13



Dimensions												
Shell Size	Ø D	E Flat	F Flat	K Thread -1P-.3L- TS	L Thread -28 UN-2A	Ø M	Ø N Min	Ø S ±.002	Jam-Nut Cutout		Weld Mount Cutout	
									G Flat ±.002(.05)	Ø H +.005 (+.13) -.000 (-.00)	Ø U ±.003 (0.08)	Ø V Min
8	.760 (19.30)	.730 (18.54)	.535 (13.59)	.5000	.5625	.330 (8.38)	.230 (5.84)	.788 (20.02)	.543 (13.79)	.567 (14.40)	0.794 (20.17)	.350 (8.89)
9	.880 (22.35)	.850 (21.59)	.661 (16.79)	.5625	.6875	.432 (10.97)	.322 (8.18)	.912 (23.16)	.669 (16.99)	.693 (17.60)	0.918 (23.32)	.455 (11.56)
10	.880 (22.35)	.850 (21.59)	.661 (16.79)	.6250	.6875	.493 (12.52)	.386 (9.80)	.975 (24.76)	.669 (16.99)	.693 (17.60)	0.981 (24.92)	.520 (13.21)
11	.955 (24.26)	.925 (23.50)	.721 (18.31)	.6875	.7500	.553 (14.05)	.442 (11.23)	1.038 (26.37)	.729 (18.52)	.755 (19.18)	1.044 (26.52)	.575 (14.60)
12	1.060 (26.92)	1.035 (26.29)	.784 (19.91)	.7500	.8125	.620 (15.75)	.513 (13.03)	1.100 (27.94)	.792 (20.12)	.817 (20.75)	1.106 (28.09)	.650 (16.51)
13	1.120 (28.45)	1.090 (27.69)	.843 (21.41)	.8125	.8750	.661 (16.79)	.554 (14.07)	1.162 (29.51)	.849 (21.56)	.881 (22.38)	1.168 (29.67)	.685 (17.40)
15	1.203 (30.56)	1.173 (29.79)	.970 (24.64)	.9375	1.0000	.703 (17.86)	.594 (15.09)	1.288 (32.72)	.978 (24.84)	1.005 (25.53)	1.294 (32.87)	.730 (18.54)
18	1.389 (35.28)	1.359 (34.52)	1.147 (29.13)	1.1250	1.1875	.863 (21.92)	.750 (19.05)	1.475 (37.47)	1.155 (29.34)	1.193 (30.30)	1.481 (37.62)	.890 (22.61)
19	1.450 (36.83)	1.420 (36.07)	1.221 (31.01)	1.1875	1.2500	.912 (23.16)	.805 (20.45)	1.540 (39.12)	1.229 (31.22)	1.255 (31.88)	1.546 (39.27)	.940 (23.88)
21	1.58 (40.13)	1.550 (39.37)	1.35 (34.29)	1.3125	1.3750	1.017 (25.83)	.910 (23.11)	1.665 (42.29)	1.356 (34.44)	1.383 (35.13) 1.381 (35.08)	1.671 (42.44)	1.040 (26.42)
23	1.705 (43.31)	1.675 (42.55)	1.470 (37.34)	1.4375	1.5000	1.162 (29.51)	1.050 (26.67)	1.795 (45.59)	1.478 (37.54)	1.505 (38.23)	1.801 (45.75)	1.190 (30.23)

SERIES 805 TRIPLE-START ACME THREAD