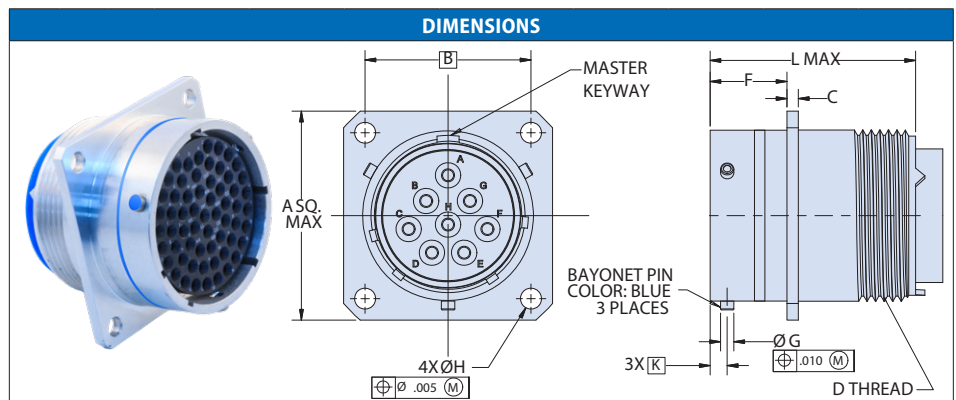


260-002-70 Narrow-flange wall-mount receptacle

CONTACT ARRANGEMENT			
How-to-Order Code	Size / Quantity		
	20	16	12
8-2	2		
8-3	3		
8-4	4		
8-33	3		
8-98	3		
10-6	6		
10-98	6		
12-3		3	
12-8	8		
12-10	10		
14-4			4
14-5		5	
14-9	5		4
14-12	8	4	
14-15	14	1	
14-18	18		
14-19	19		
14-22	1		4
16-8		8	
16-14	8		6
16-23	22	1	
16-26	26		
16-99	21	2	
18-8			8
18-11		11	
18-30	29	1	
18-32	32		
18-85	5		8
20-16		16	
20-24	24		
20-27	27		
20-39	37	2	
20-41	41		
20-90	3		12
22-12			12
22-19			19
22-21		21	
22-32	32		
22-34	34		
22-41	27	14	
22-55	55		
22-95	26		6
24-19			19
24-27	11		16
24-31		31	
24-61	61		

FRONT PANEL MOUNTING HOLES				
Shell Size	ØAA	ØM Holes	E	
	in±.005	mm±.13	in±.005	mm±.13
8	.568	14.43	.594	15.09
10	.685	17.40	.719	18.27
12	.864	21.95	.812	20.63
14	.989	25.12	.906	23.02
16	1.113	28.27	.969	24.62
18	1.238	31.45	1.062	26.98
20	1.363	34.62	1.156	29.37
22	1.488	37.80	1.250	31.75
24	1.615	41.02	1.375	34.93

COTS PART NUMBER DEVELOPMENT					
Sample Part Number	260-002-70	ME	16	-26	P Y
Series / Basic Part No.	260-002-70 = Narrow-flange wall-mount receptacle				
Material/Finish	AB = Aluminum marine bronze, unplated NF = Aluminum, cadmium O.D. over electroless nickel ME = Aluminum, electroless nickel TZ = Aluminum, tin-zinc green-gold over electroless nickel ZR = Aluminum, zinc nickel-black Z1 = Stainless Steel, passivated				
Shell Size	8, 10, 12, 14, 16, 18, 20, 22, 24				
Contact Arrangement	Per MIL-STD-1669; See reference information section for details				
Contact Type	P = Pin, Gold, 500 mating cycles A = Pin insert, less pin contacts S = Socket, Gold, 500 mating cycles B = Socket insert, less socket contacts Connectors supplied with contacts (including spares), insertion/removal tool, and sealing plugs				
Alt. Polarization	W, X, Y, Z, Omit for normal				



Shell Size	A Sq.		B Bsc.		C		F		D Thread	ØH Holes		ØG		K Bsc.		L Max	
	In	mm	In	mm	In	mm	In	mm		In	mm	In	mm	In	mm	In	mm
8	.828	21.03	.594	15.09					.5000-20 UNF-2A								
10	.954	24.23	.719	18.26					.6250-24 UNEF-2A								
12	1.047	26.59	.812	20.62	.078	1.98	.462	11.73	.7500-20 UNEF-2A	.120	3.048	.084	2.13	.100	2.54	1.215	30.86
14	1.141	28.98	.906	23.01	.046	1.17	.431	10.95	.8750-20 UNEF-2A			.076	1.93				
16	1.234	31.34	.969	24.61					1.000-20 UNEF-2A								
18	1.328	33.73	1.062	26.97					1.0625-18 UNEF-2A								
20	1.453	36.91	1.156	29.36			.587	14.91	1.1875-18 UNEF-2A								
22	1.578	40.08	1.25	31.75	.110	2.79	.556	14.12	1.3125-18 UNEF-2A							1.275	32.39
24	1.703	43.26	1.375	34.93	.078	1.98	.620	15.75	1.4375-18 UNEF-2A	.147	3.73	.131	3.33	.109	2.77		

MATERIAL / FINISH OPTIONS	
AB	Marine Bronze, unplated, 1000 hrs. salt spray, -65°C to +175°C, conductive
NF	Aluminum, cadmium O.D. over electroless nickel, 500 hr. salt spray, -65°C to +175°C, conductive
ME	Aluminum, electroless nickel, 48 hr. salt spray, -65°C to +200°C, conductive, RoHS materials
TZ	Aluminum, tin-zinc green-gold over electroless nickel, 500 hr. salt spray, -65°C to +175°C, conductive, AMS 2434 Type 2, RoHS materials
ZR	Aluminum, zinc nickel-black, 500 hr. salt spray, -65°C to +175°C, conductive, RoHS materials
Z1	Stainless Steel, passivated, 48 hr. salt spray, -55°C to +200°C, conductive, RoHS materials
Wave spring = Stainless steel / passivated Insulator = high-grade rigid dielectric • Seals, grommet = fluorosilicone blend	