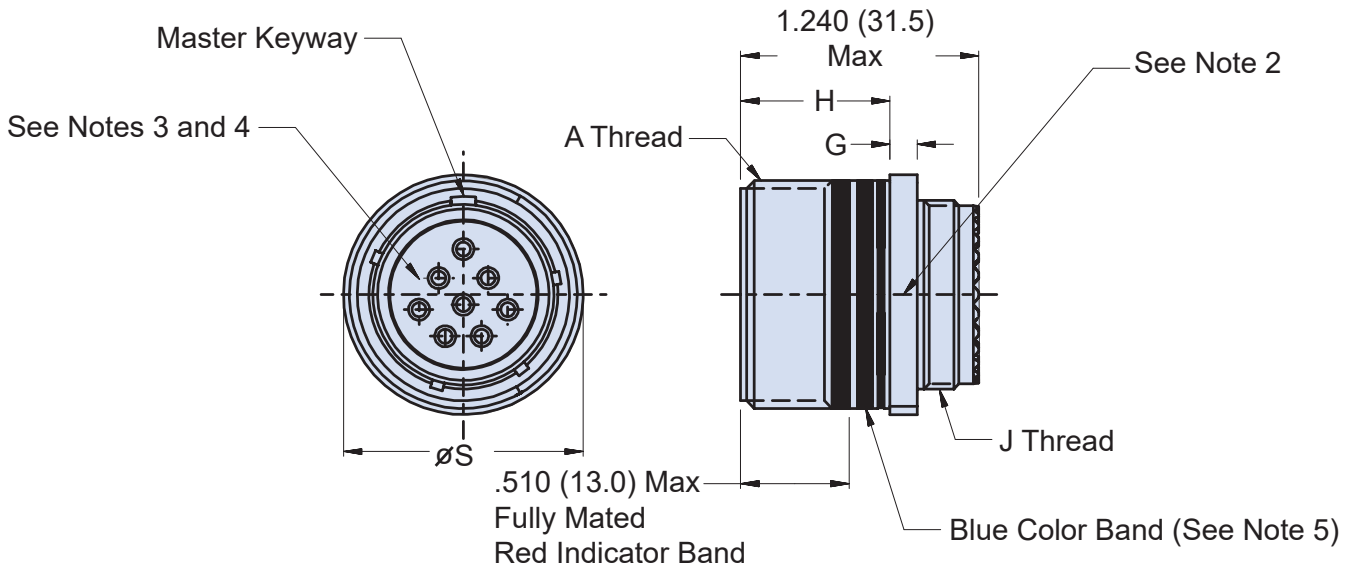
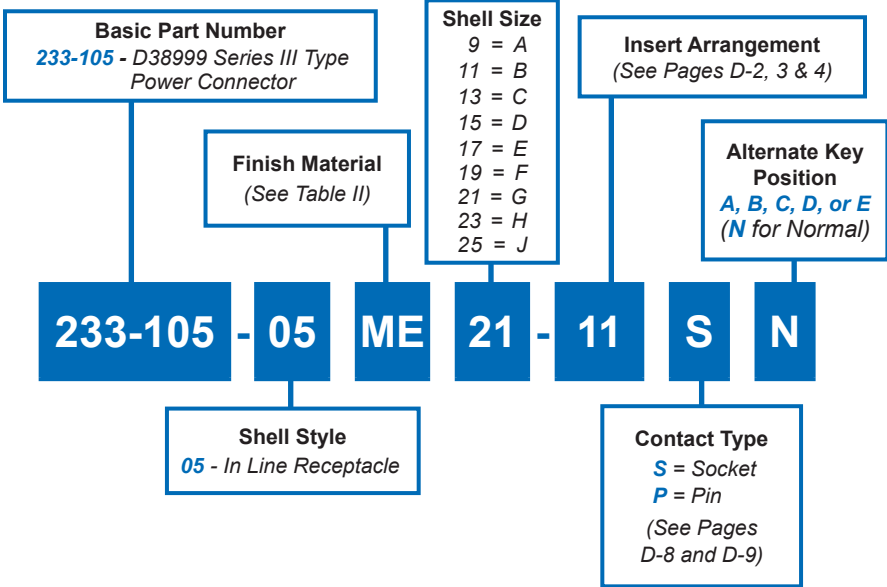


233-105-05
MIL-DTL-38999 Series III Type
In-Line Environmental Receptacle Connector



Consult factory for available insert arrangements.

APPLICATION NOTES

- | | |
|---|---|
| <p>1. Material/ Finishes:
 Shells - See Table II
 Insulator- High Grade Rigid Dielectric/ N.A
 Seals- Fluorosilicone/ N.A.</p> <p>2. Assembly to be identified with Glenair's name, part number and date code space permitting.</p> | <p>3. Insert arrangement in accordance with MIL-STD-1560.</p> <p>4. Insert arrangement shown is for reference only.</p> <p>5. Blue Color Band indicates rear release retention system.</p> <p>7. Metric Dimensions (mm) are indicated in parentheses.</p> |
|---|---|

233-105-05
MIL-DTL-38999 Series III Type
In-Line Environmental Receptacle Connector



TABLE II: FINISH

SYM	MATERIAL	FINISH	MIL SYM
ME	Aluminum	Electroless Nickel	F
MA		Electroless Nickel	G
MT		Ni-PTFE (Nickel Fluorocarbon Polymer)	T
TZ		Tin-Zinc (SnZn) Over Electroless Nickel Over Suitable Underplate	V
NF		Cadmium Plate Olive Drab over Electroless Nickel	W
ZR		Zinc Nickel, Black Over Suitable Underplate	Z
MN		Tri-Nickel Alloy	AA
XW	Composite	Cadmium Olive Drab over Electroless Nickel	J
XM		Electroless Nickel	M
Z1	Stainless Steel	Passivate	K
ZL		Electrodeposited Nickel	S
AB	Marine Bronze	None (Clean Only)	-

TABLE III: SHELL SIZE

Shell Size Code	Shell Size	A Thread	G	H	S Max Dia	J Thread
A	09	.6250-.1P-.3L-TS-2A	.144 (3.7) .083 (2.1)	.823 (20.9) .768 (19.5)	.858 (21.8)	M12 x 1.0-6g 0.100R
B	11	.7500-.1P-.3L-TS-2A	.144 (3.7) .083 (2.1)	.823 (20.9) .768 (19.5)	.984 (25.0)	M15 x 1.0-6g 0.100R
C	13	.8750-.1P-.3L-TS-2A	.144 (3.7) .083 (2.1)	.823 (20.9) .768 (19.5)	1.157 (29.4)	M18 x 1.0-6g 0.100R
D	15	1.0000-.1P-.3L-TS-2A	.144 (3.7) .083 (2.1)	.823 (20.9) .768 (19.5)	1.280 (32.5)	M22 x 1.0-6g 0.100R
E	17	1.1875-.1P-.3L-TS-2A	.144 (3.7) .083 (2.1)	.823 (20.9) .768 (19.5)	1.406 (35.7)	M25 x 1.0-6g 0.100R
F	19	1.2500-.1P-.3L-TS-2A	.144 (3.7) .083 (2.1)	.823 (20.9) .768 (19.5)	1.516 (38.5)	M28 x 1.0-6g 0.100R
G	21	1.3750-.1P-.3L-TS-2A	.171 (65.2) .083 (39.8)	.791 (20.0) .736 (18.7)	1.642 (41.7)	M31 x 1.0-6g 0.100R
H	23	1.5000-.1P-.3L-TS-2A	.171 (65.2) .083 (39.8)	.791 (20.0) .736 (18.7)	1.768 (44.9)	M34 x 1.0-6g 0.100R
J	25	1.6250-.1P-.3L-TS-2A	.171 (65.2) .083 (39.8)	.791 (20.0) .736 (18.7)	1.890 (48.0)	M37 x 1.0-6g 0.100R