

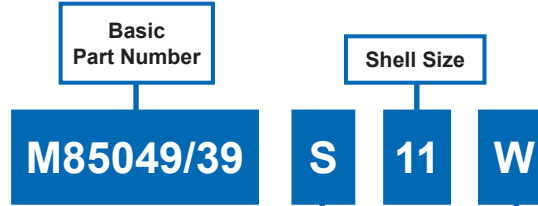
AS85049/39
90° Strain Relief
Self-Locking or Non-Self-Locking



AS85049

CONNECTOR DESIGNATOR:	
H	MIL-DTL-38999 Series III & IV EN3645

FOR NEW DESIGN
USE AS85049/126



S = Self-Locking
Use Dash for Non-Self-Locking
N = Non-Detented

Material and Finish Designator
A = Aluminum, Black Anodize
N = Aluminum, Electroless Nickel
S = 300 Series Steel, Passivated
W = Aluminum, 500 Hour Cadmium Olive Drab over Electroless Nickel

B

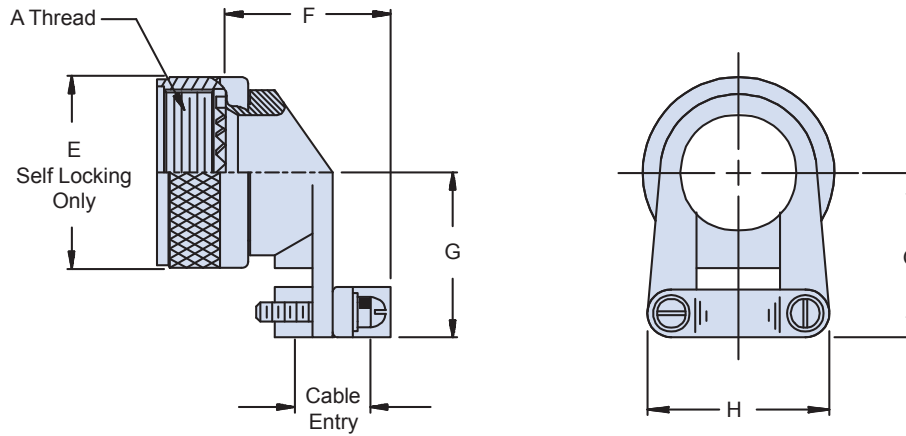


TABLE I: Shell Size, Cable Entry and Backshell Dimensions

Shell Size	Shell Size Ref.	A Thread Class 2B	Ø E Max		F Max		G Max		H Max		Cable Entry			
			Self-Locking Only						Min	Max				
9	A	M12 X 1 - 6H	.858	(21.8)	1.01	(25.7)	1.00	(25.4)	.85	(21.6)	.098	(2.5)	.234	(5.9)
11	B	M15 X 1 - 6H	.984	(25.0)	1.01	(25.7)	1.10	(27.9)	.90	(22.9)	.153	(3.9)	.234	(5.9)
13	C	M18 X 1 - 6H	1.157	(29.4)	1.21	(30.7)	1.10	(27.9)	1.10	(27.9)	.190	(4.8)	.328	(8.3)
15	D	M22 X 1 - 6H	1.279	(32.5)	1.26	(32.0)	1.25	(31.8)	1.15	(29.2)	.260	(6.6)	.457	(11.6)
17	E	M25 X 1 - 6H	1.406	(35.7)	1.41	(35.8)	1.30	(33.0)	1.30	(33.0)	.283	(7.2)	.614	(15.6)
19	F	M28 X 1 - 6H	1.516	(38.5)	1.51	(38.4)	1.35	(34.3)	1.50	(38.1)	.325	(8.3)	.634	(16.1)
21	G	M31 X 1 - 6H	1.642	(41.7)	1.66	(42.2)	1.60	(40.6)	1.60	(40.6)	.343	(8.7)	.698	(17.7)
23	H	M34 X 1 - 6H	1.768	(44.9)	1.76	(44.7)	1.75	(44.5)	1.70	(43.2)	.381	(9.7)	.823	(20.9)
25	J	M37 X 1 - 6H	1.889	(48.0)	2.91	(73.9)	1.85	(47.0)	1.80	(45.7)	.418	(10.6)	.853	(21.7)

APPLICATION NOTES

1. Assembly to be identified with manufacturer's name and part number, space permitting.
2. Cable Entry is defined as the accommodation entry for the wire bundle or cable. Dimensions are not intended for inspection criteria.
3. For complete dimensions, see the applicable Military Specification.
4. Metric dimensions (mm) are in parentheses.

Dimensions in inches (millimeters) and are subject to change without notice.