

M83723/59-1, M83723/60-1, MS27292 and MS27294 Threaded Protective Plug and Receptacle Covers



MIL-DTL-83723

MATING CONNECTOR
MIL-DTL-83723, Series III Threaded

Superseded Part Number

Basic Part Number
MS27292 = Plug Cover
MS27294 = Receptacle Cover

Dash Number
MS27292 - 1

See Note 3

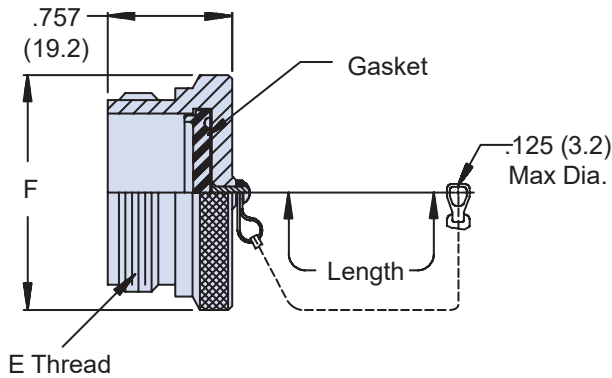
Basic Part Number
M83723/59-1 = Plug Cover
M83723/60-1 = Receptacle Cover

Shell Size
10

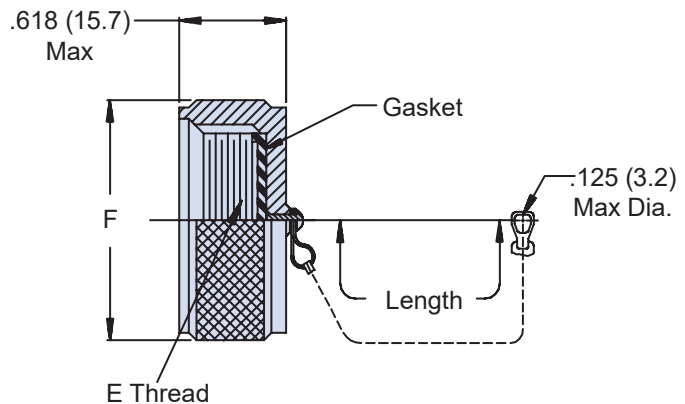
Attachment Style
C = 5.0" (127.0) Chain
P = 8.0" (203.2) Chain
R = 5.0" (127.0) Rope
T = 8.0" (203.2) Rope
N = No Attachment

M83723/59-1 10 A C

Finish
A = Black Anodize
R = Electroless Nickel
W = Cadmium over Electroless Nickel



M83723/59-1 PLUG COVER
M27292 PLUG COVER (SEE NOTE 3)



M83723/60-1 RECEPTACLE COVER
M27294 RECEPTACLE COVER (SEE NOTE 3)

TABLE I: Shell Size, Dash Number, Thread and Dimensions

Shell Size	M27292 M27294 Dash No.	E Thread Class 2A/2B	F Dia Max
8	7	9/16- 24 UNEF	.776 (19.7)
10	1	11/16- 24 UNEF	.906 (23.0)
12	2	7/8- 20 UNEF	1.078 (27.4)
14	3	15/16- 20 UNEF	1.141 (29.0)
16	4	1 1/16- 18 UNEF	1.266 (32.2)
18	5	1 3/16- 18 UNEF	1.375 (34.9)
20	8	1 5/16- 18 UNEF	1.510 (38.4)
22	6	1 7/16- 18 UNEF	1.625 (41.3)
24	9	1 9/16- 18 UNEF	1.760 (44.7)

- APPLICATION NOTES**
1. Assembly identified with manufacturer's name and part number, space permitting.
 2. For complete dimensions, see the applicable Military Specification.
 3. MS27292 and MS27294 have a black anodize finish. Dash numbers 1, 2 and 7 have a 3.0-inch (76.2) wire rope attachment. Other dash numbers have a 5-inch (127.0) wire rope attachment.
 4. Metric dimensions (mm) are in parentheses.

Dimensions in inches (millimeters) and are subject to change without notice.

© 2013 Glenair, Inc.

Mil-Spec Backshells

U.S. CAGE Code 06324

Printed in U.S.A.

GLENAIR, INC. • 1211 AIR WAY • GLENDALE, CA 91201-2497 • 818-247-6000 • FAX 818-500-9912
www.glenair.com **E-7** **E-Mail: sales@glenair.com**

Rev. 09.05.24