

# M83723/70 Series III Quick-Disconnect Receptacle Adapter



MIL-DTL-83723

Basic Part Number

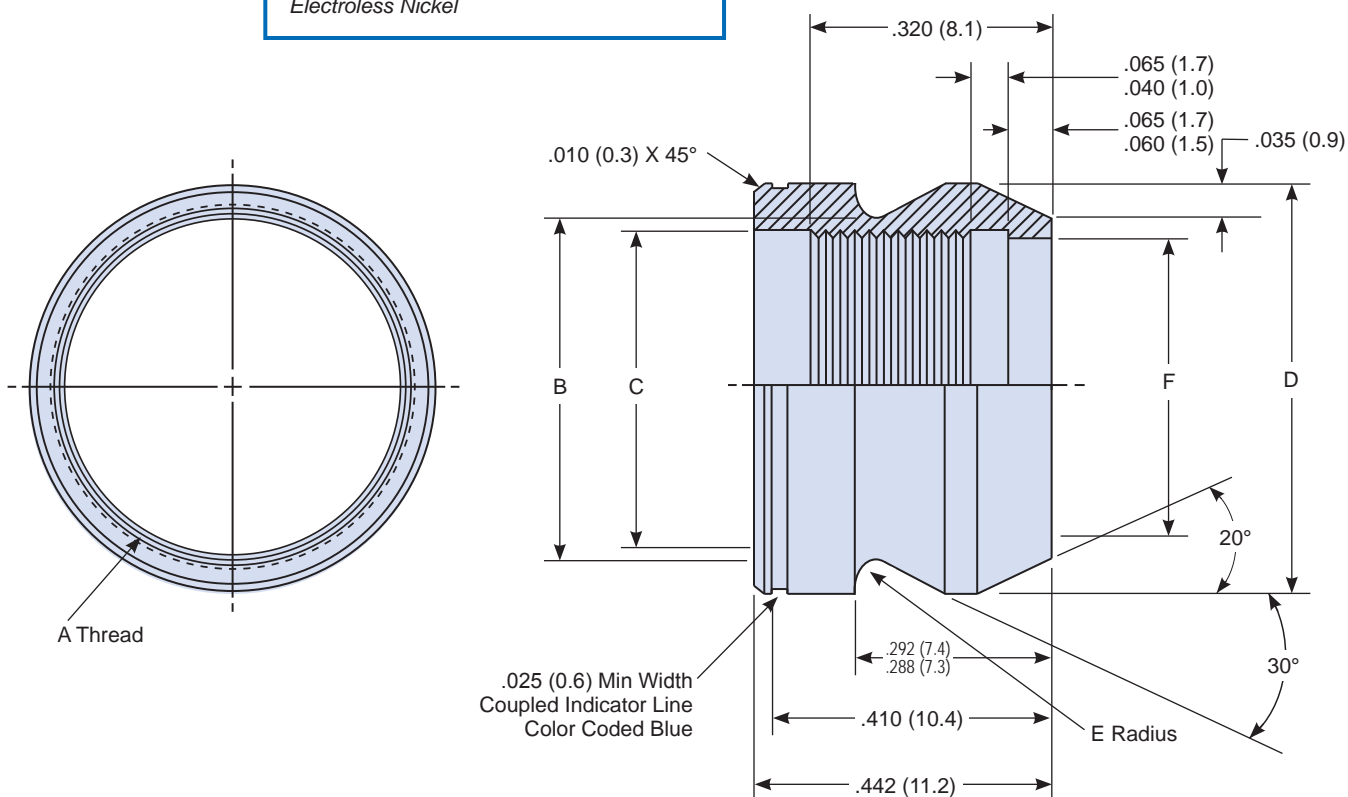
**M83723/70**

Dash No.

**W 22**

### Material and Finish

- A = Aluminum, Black Anodize*
- R = Aluminum, Electroless Nickel*
- G = Corrosion-Resistant Steel Passivate*
- W = Aluminum, Cadmium Olive Drab over Electroless Nickel*



### APPLICATION NOTES

1. Dimensions are in inches and apply after plating.
2. Metric equivalents are in parentheses and given for information only.
3. Unless otherwise specified, tolerances shall be  $\pm .005$  (0.13) for three decimal places,  $\pm .01$  (0.25) for two decimal places and  $\pm 1/2^\circ$  for all angles.
4. Coupling indicator line shall be color coded blue and  $.025 \pm .010$  (0.64  $\pm$  0.25) wide.

Dimensions in inches (millimeters) and are subject to change without notice.

© 2013 Glenair, Inc.

U.S. CAGE Code 06324

Printed in U.S.A.





## M83723/70 Straight Adapter

**TABLE I: Shell Size, Thread, Teeth and Dimensions**

| Shell Size | A<br>Coupling Thread<br>UNEF-2B | B<br>Dia      | C<br>Dia      | D<br>Dia      | E<br>Radius | F<br>Dia      |
|------------|---------------------------------|---------------|---------------|---------------|-------------|---------------|
| 8          | .5625-24                        | .607 (15.42)  | .579 (14.71)  | .689 (17.50)  | .036 (0.91) | .525 (13.34)  |
|            |                                 | .603 (15.32)  | .575 (14.61)  | .685 (17.40)  | .031 (0.79) |               |
| 10         | .6875-24                        | .732 (18.59)  | .714 (18.14)  | .814 (20.68)  | .036 (0.91) | .650 (16.51)  |
|            |                                 | .728 (18.49)  | .710 (18.03)  | .810 (20.57)  | .031 (0.79) |               |
| 12         | .875-20                         | .918 (23.34)  | .894 (22.71)  | 1.001 (25.43) | .036 (0.91) | .840 (21.34)  |
|            |                                 | .915 (23.24)  | .890 (22.61)  | .997 (25.32)  | .031 (0.79) |               |
| 14         | .9375-20                        | .982 (24.94)  | .954 (24.23)  | 1.064 (27.03) | .036 (0.91) | .900 (22.86)  |
|            |                                 | .978 (24.84)  | .950 (24.13)  | 1.060 (26.92) | .031 (0.79) |               |
| 16         | 1.0625-18                       | 1.107 (28.12) | 1.079 (27.41) | 1.189 (30.20) | .036 (0.91) | 1.025 (26.04) |
|            |                                 | 1.103 (28.02) | 1.075 (27.31) | 1.185 (30.10) | .031 (0.79) |               |
| 18         | 1.1875-18                       | 1.232 (31.29) | 1.204 (30.58) | 1.330 (33.78) | .044 (1.12) | 1.150 (29.21) |
|            |                                 | 1.228 (31.19) | 1.200 (30.48) | 1.326 (33.68) | .039 (0.99) |               |
| 20         | 1.3125-18                       | 1.357 (34.47) | 1.329 (33.76) | 1.455 (36.96) | .044 (1.12) | 1.275 (32.39) |
|            |                                 | 1.353 (34.37) | 1.325 (33.66) | 1.451 (36.86) | .039 (0.99) |               |
| 22         | 1.4375-18                       | 1.482 (37.64) | 1.454 (36.93) | 1.580 (40.13) | .044 (1.12) | 1.400 (35.56) |
|            |                                 | 1.478 (37.54) | 1.450 (36.83) | 1.576 (40.03) | .039 (0.99) |               |
| 24         | 1.5625-18                       | 1.607 (40.82) | 1.579 (40.11) | 1.705 (43.31) | .044 (1.12) | 1.525 (38.74) |
|            |                                 | 1.603 (40.72) | 1.575 (40.01) | 1.701 (43.21) | .039 (0.99) |               |

Dimensions in inches (millimeters) and are subject to change without notice.