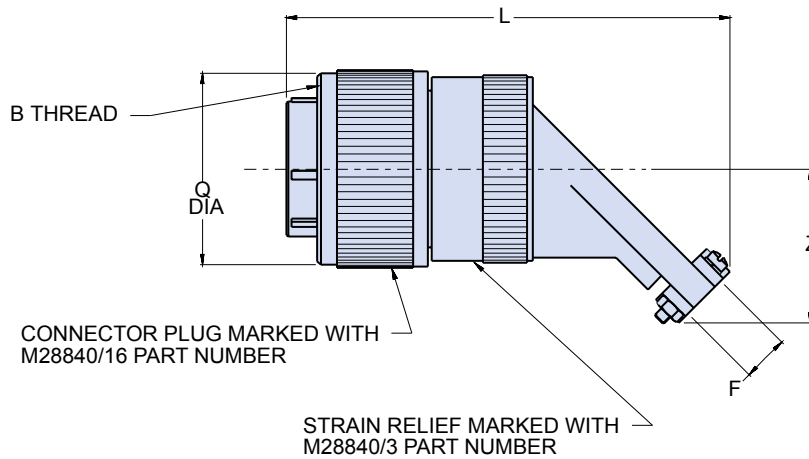
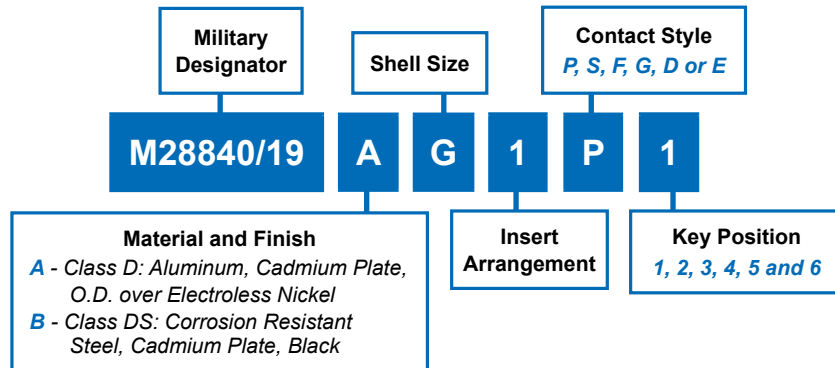
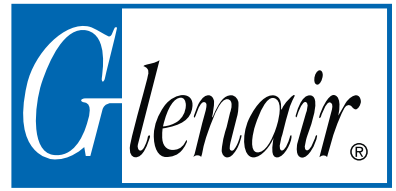


M28840/19 Plug Connector with 45° Strain Relief



Designator	A Thread Class 2B	F Cable Entry		L Max.	Q Max.	Z Max.	Max. O.D. Over Rear Clamps
		Open	Closed				
A (11)	.750-1P-.2L-DS	.286	.177	3.125	1.028	.928	.832
B (13)	.875-1P-.2L-DS	.286		3.125	1.141	.928	
C (15)	1.062-1P-.2L-DS	.416	.250	3.250	1.263	.991	.989
D (17)	1.125-1P-.2L-DS	.476	.291	3.312	1.387	1.110	1.094
E (19)	1.312-1P-.2L-DS	.626	.348	3.375	1.513	1.172	1.319
F (23)	1.500-1P-.2L-DS	.831	.429	3.438	1.703	1.235	1.557
G (25)	1.625-1P-.2L-DS	.956	.523	3.500	1.825	1.297	1.653
H (29)	1.812-1P-.2L-DS	1.081	.643	3.750	2.143	1.543	1.819
J (33)	2.000-1P-.2L-DS	1.187	.704	3.875	2.329	1.668	2.020

Dimensions in Inches (millimeters) are subject to change without notice.