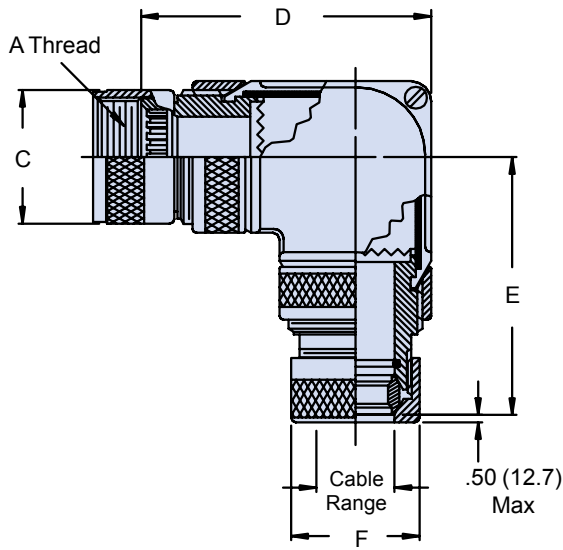
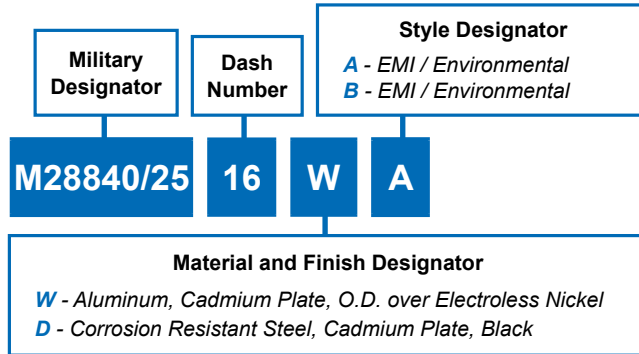


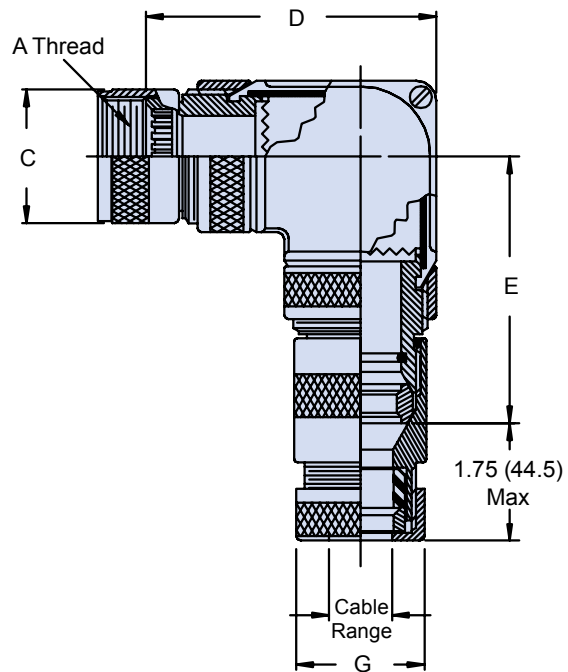
M28840/25
90° EMI Conduit Adapter



MIL-DTL-28840
Electrical Connectors



STYLE A - EMI/Non-Environmental
(Plain Conduit)



STYLE B - EMI/Environmental
(Jacket Conduit)

Dimensions in Inches (millimeters) are subject to change without notice.

E



M28840/25
90° EMI Conduit Adapter

Dash Number	Designator	A Thread Class 2B	B Diameter Max.	C Thread Class 1	D Max Diameter	Sealing Range	
						Max.	Min.
01	A (11)	.750-20 UNEF	1.028 (26.11)	.875-20 UNEF	1.031 (26.19)	.63 (16.0)	.50 (12.7)
02	B (13)	.875-20 UNEF	1.141 (28.98)	.875-20 UNEF		.63 (16.0)	.50 (12.7)
03				1.000-20 UNEF		.75 (19.1)	.63 (16.0)
04	C (15)	1.000-20 UNEF	1.263 (32.08)	.875-20 UNEF	1.281 (32.58)	.63 (16.0)	.50 (12.7)
05				1.000-20 UNEF		.75 (19.1)	.63 (16.0)
06				1.125-18 UNEF		.88 (22.4)	.75 (19.1)
07				1.250-18 UNEF	1.531 (38.89)	1.00 (25.4)	.88 (22.4)
08	D (17)	1.125-18 UNEF	1.387 (35.23)	1.125-18 UNEF		.88 (22.4)	.75 (19.1)
09				1.250-18 UNEF		1.00 (25.4)	.88 (22.4)
10				1.625-18 UNEF	1.38 (35.1)	1.19 (30.2)	
11	E (19)	1.250-18 UNEF	1.513 (38.43)	1.125-18 UNEF	1.781 (45.24)	.88 (22.4)	.75 (19.1)
12				1.250-18 UNEF		1.00 (25.4)	.88 (22.4)
13				1.625-18 UNEF		1.38 (35.1)	1.19 (30.2)
14				F (23)	1.438-18 UNEF	1.703 (45.51)	1.250-18 UNEF
15	1.625-18 UNEF	1.38 (35.1)	1.18 (30.2)				
16	1.875-18 UNS	1.63 (41.4)	1.44 (36.6)				
17	G (25)	1.562-18 UNEF	1.825 (46.35)	1.250-18 UNEF	2.031 (51.59)	1.00 (25.4)	.88 (22.4)
18				1.625-18 UNEF		1.38 (35.1)	1.19 (30.2)
19				1.875-18 UNS		1.63 (41.4)	1.44 (36.5)
20				2.125-16 UN	2.531 (64.29)	1.88 (47.8)	1.63 (41.4)
21	H (29)	1.875-16 UN	2.143 (54.43)	1.875-18 UNS		1.63 (41.4)	1.44 (36.6)
22				2.125-16 UN	1.33 (47.8)	1.63 (41.4)	
23	J (33)	2.062-16 UNS	2.329 (59.16)	2.125-16 UN	2.531 (64.29)	1.88 (47.8)	1.63 (41.4)
24				2.750-16 UN		2.38 (60.5)	2.13 (54.1)
25	A (11)	.750-20 UNEF	1.028 (26.11)	.875-20 UNEF	1.031 (25.19)	.75 (19.5)	.63 (16.0)

Dimensions in Inches (millimeters) are subject to change without notice.

M28840/25 90° EMI Conduit Adapter



MIL-DTL-28840
Electrical Connectors

Dash Number	Designator	Conduit Size M 04	E Max. Dim.	F Max. Dim.	V Thread Class 2	M Max. Dia.	Y Max. Dia.
01	A (11)	03	2.36 (59.9)	3.50 (92.8)	1.000-20 UNEF	1.12 (28.5)	1.19 (30.23)
02	B (13)	03			1.000-20 UNEF	1.12 (28.5)	1.19 (30.23)
03		04			1.188-18 UNEF	1.25 (31.8)	1.38 (35.1)
04	C (15)	03	2.56 (65.0)	3.69 (9.79)	1.000-20 UNEF	1.12 (28.5)	1.39 (35.3)
05		04			1.118-18 UNEF	1.25 (31.8)	1.38 (35.1)
06		05			1.438-18 UNEF	1.43 (36.3)	1.63 (41.4)
07	D (17)	06	2.67 (67.8)	3.81 (101.0)	1.750-18 UNS	1.62 (41.2)	1.94 (49.3)
08		05			1.438-18 UNEF	1.43 (36.3)	1.63 (41.4)
09		06			1.750-18 UNS	1.62 (42.2)	1.94 (49.3)
10		08			2.00-18 UNS	1.81 (46.0)	2.19 (55.6)
11	E (19)	05	3.05 (77.5)	4.19 (111.1)	1.438-18 UNEF	1.43 (36.3)	1.63 (41.4)
12		06			1.750-18 UNS	1.62 (41.2)	1.94 (49.3)
13		08			2.00-18 UNS	1.81 (46.0)	2.19 (55.6)
14	F (23)	06	3.05 (77.5)	4.19 (111.1)	1.750-18 UNS	1.62 (41.2)	1.94 (49.3)
15		08			2.00-18 UNS	1.81 (46.0)	2.19 (55.6)
16		10			2.250-18 UN	2.18 (55.4)	2.44 (62.0)
17	G (25)	06	3.05 (77.5)	4.19 (111.1)	1.750-18 UNS	1.62 (41.2)	1.94 (49.3)
18		08			2.00-18 UN	1.81 (46.0)	2.19 (55.6)
19		10			2.250-18 UN	2.18 (55.4)	2.44 (62.0)
20	H (29)	12	3.33 (84.6)	4.50 (119.4)	2.500-16 UN	2.56 (65.0)	2.69 (68.5)
21		10			2.250-16 UN	2.18 (55.4)	2.18 (55.4)
22		12			1.500-16 UN	2.56 (65.0)	2.44 (62.0)
23	J (33)	12	3.70 (94.0)	4.43 (128.1)	2.500-16 UN	2.56 (65.0)	2.69 (68.3)
24		16			3.00-16 UN	3.06 (77.8)	3.19 (81.0)
25	A (11)	04	2.36 (59.9)	3.50 (92.8)	1.133-18 UNF	1.25 (31.8)	1.38 (35.1)



Dimensions in Inches (millimeters) are subject to change without notice.