



Backshells and Accessories

380P*105 EMI Backshell (Non-Environmental)



Self-Locking

380P*105 EMI backshell fits Glenair Series 970 PowerTrip connectors. For use with shielded cable. Cone-and-ring shield termination with two ground rings. Non-environmental. Anti-decoupling mechanism provides audible detented coupling and prevents backoff under high vibration. Type H heavy duty saddle clamp has stainless steel telescoping fillister head screws and lockwashers. Available in aluminum or stainless steel.

- EMI cone-and-ring backshell for Series 970 PowerTrip® connectors
- For shielded cable
- Self-locking coupling nut
- Heavy duty saddle clamp strain relief

BACKSHELLS AND ACCESSORIES

PROFILE SELECTION GUIDE

S Straight

M 45° **N** 90°

CONSTRUCTION

Coupling nut, body, ground rings, saddle clamp: aluminum or SST

Hardware: stainless steel/passivated

Anti-decoupling spring: thermoplastic (aluminum body) or SST (SST body)

INSTALLATION TORQUE

Shell Size	Recommended Installation Torque Inch-Pounds ± 5
18	116
20, 24	136
28, 32, 36	148
40	164

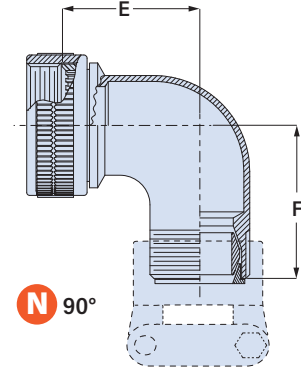
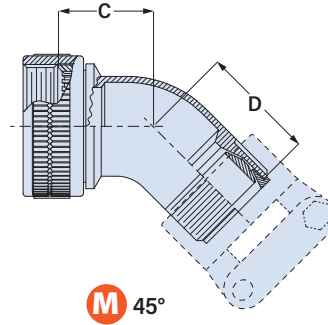
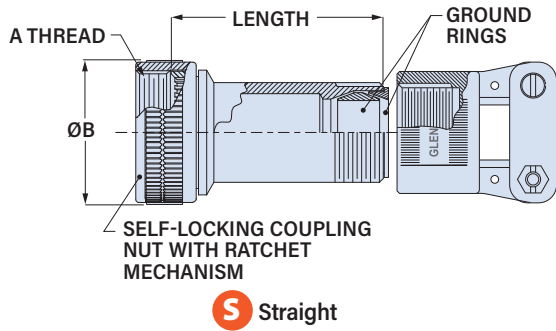
HOW TO ORDER

Sample Part Number →	380PS105	NF	24	06	H	-6																																
Base P/N	Base Part No. Profile 380PS105 S Straight 380PM105 M 45° 380PN105 N 90°																																					
Material/Finish	ME = Aluminum / Electroless Nickel MT = Aluminum / Nickel PTFE NF = Aluminum / Olive Drab Cadmium TZ = Aluminum / Tin-Zinc ZR = Aluminum / Black Zinc-Nickel Z1 = Stainless Steel / Passivated																																					
Shell Size	18 20 24 28 32 36 40																																					
Entry Size	<table border="1"> <thead> <tr> <th>Entry Size</th> <th>Max. Cable Dia.</th> <th>Shell Size*</th> </tr> </thead> <tbody> <tr><td>04</td><td>.312 (7.9)</td><td>18-40</td></tr> <tr><td>06</td><td>.437 (11.1)</td><td>18-40</td></tr> <tr><td>08</td><td>.562 (14.3)</td><td>18-40</td></tr> <tr><td>10</td><td>.625 (15.9)</td><td>18-40</td></tr> <tr><td>12</td><td>.750 (19.1)</td><td>20-40</td></tr> <tr><td>16</td><td>.937 (23.8)</td><td>24-40</td></tr> <tr><td>20</td><td>1.250 (31.8)</td><td>28-40</td></tr> <tr><td>24</td><td>1.375 (34.9)</td><td>32-40</td></tr> <tr><td>28</td><td>1.625 (41.3)</td><td>36-40</td></tr> <tr><td>32</td><td>1.875 (47.6)</td><td>40</td></tr> </tbody> </table>	Entry Size	Max. Cable Dia.	Shell Size*	04	.312 (7.9)	18-40	06	.437 (11.1)	18-40	08	.562 (14.3)	18-40	10	.625 (15.9)	18-40	12	.750 (19.1)	20-40	16	.937 (23.8)	24-40	20	1.250 (31.8)	28-40	24	1.375 (34.9)	32-40	28	1.625 (41.3)	36-40	32	1.875 (47.6)	40				* If selected entry size exceeds shell size range, a Style 2 transition adapter will be included. See <i>Maximum Entry Size</i> for details.
Entry Size	Max. Cable Dia.	Shell Size*																																				
04	.312 (7.9)	18-40																																				
06	.437 (11.1)	18-40																																				
08	.562 (14.3)	18-40																																				
10	.625 (15.9)	18-40																																				
12	.750 (19.1)	20-40																																				
16	.937 (23.8)	24-40																																				
20	1.250 (31.8)	28-40																																				
24	1.375 (34.9)	32-40																																				
28	1.625 (41.3)	36-40																																				
32	1.875 (47.6)	40																																				
Strain Relief	H = Saddle Clamp																																					
Length	-6 = 3 inches -8 = 4 inches -10 = 5 inches -12 = 6 inches -14 = 7 inches	<i>Applies to Profile S straight only. 3.0 inches minimum. If selected Entry Size is greater than Maximum Entry Size (see next page), then 4 inch minimum applies.</i>																																				

Backshells and Accessories

380P*105 EMI Backshell (Non-Environmental)

BACKSHELLS AND ACCESSORIES



DIMENSIONS												
Shell Size	A Thread -2B	ø B Max.		C Max.		D Max.		E Max.		F Max.		Max. Entry Size
		In	mm	In	mm	In	mm	In	mm	In	mm	
18	1.125-18 UNEF	1.39	35.3	1.250	31.8	1.156	29.4	1.906	48.4	1.812	46.0	10
20	1.250-18 UNEF	1.53	38.9	1.312	33.3	1.219	31.0	2.031	51.6	1.938	49.2	12
24	1.4375-18 UNEF	1.72	43.7	1.46	35.7	1.312	33.3	2.281	57.9	2.188	55.6	16
28	1.8125-16 UN	2.13	54.1	1.500	38.1	1.625	41.3	2.531	64.3	2.625	66.7	20
32	2.0625-16 UNS	2.35	59.7	1.675	42.5	1.945	49.4	2.625	66.7	2.895	73.5	24
36	2.250-16 UN	2.59	65.8	1.799	45.7	2.069	52.6	2.875	73.0	3.145	79.9	28
40	2.500-16 UN	2.87	70.6	1.861	47.3	2.131	54.1	3.025	76.8	3.295	83.7	32

MAXIMUM ENTRY SIZE		
Shell Size	Maximum Entry Size	
18	10	
20	12	
24	16	
28	20	
32	24	
36	28	
40	32	

If the selected entry size exceeds the maximum size in this table, the backshell will have a front adapter. This is called a **Style 2** backshell.

SADDLE CLAMP DIMENSIONS								
Entry Size	A Max		B Max		Cable Range			
	In.	mm.	In.	mm.	Min In	mm	Max In	mm
04	.780	19.8	.957	24.3	.125	3.2	.312	7.9
06	.780	19.8	1.145	29.1	.250	6.4	.437	11.1
08	.780	19.8	1.332	33.8	.312	7.9	.562	14.3
10	.780	19.8	1.332	33.8	.350	8.9	.625	15.9
12	.811	20.6	1.551	39.4	.500	12.7	.750	19.1
16	.905	23.0	1.770	45.0	.625	15.9	.937	23.8
20	1.092	27.7	2.113	53.7	.875	22.2	1.250	31.8
24	1.124	28.5	2.363	60.0	1.000	25.4	1.375	34.9
28	1.399	35.5	2.770	70.4	1.250	31.8	1.625	41.3
32	1.399	35.5	3.020	76.7	1.437	36.5	1.875	47.6

STYLE 2 STRAIGHT BACKSHELL

Style 2 **S** straight backshell minimum length code is -8 (4 inches).

STYLE 2 45° AND 90° BACKSHELLS

For **M** and **N** 45° and 90° backshells, the front adapter adds 1 inch.