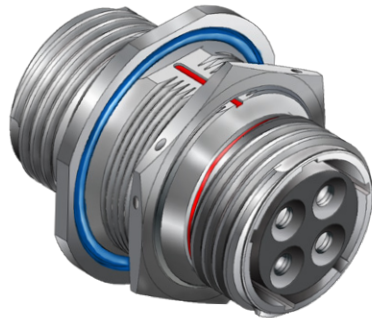




Hermetic and Filter Receptacles

970-007 Hermetic Jam Nut Feed-Thru Receptacle



970-007 bulkhead feed-thru receptacle has stainless steel shell, fused glass insulator and nickel-iron alloy contacts. Contacts are pin on one side and socket on the opposite side. Attach plug connector to both sides. Coupling threads are triple-start ACME quick-disconnect. PowerTrip connectors feature low resistance LouverBand contacts and are designed to withstand extreme environments.

- Quick-disconnect self-locking aerospace-grade power connector
- 2000 VAC (DWV)
- -65° to +200°C
- Fused glass hermetic seal
- High shock, high vibration

INSERT ARRANGEMENTS						
Insert Arr.	Contact Size and Quantity					
	#16	#12	#8	#4	#1/0	#2/0
18-2			2			
18-4		2	2			
20-3			3			
20-4			4			
20-5		2	3			
20-7	4		3			
24-1					1	
24-2				2		
24-3				3		
24-5			5			
24-6		4		2		
24-A1						1
24-A6		3		3		
28-12	6		6			
28-15	15					
28-4				4		
28-8		1	7			
28-9	5			4		
32-12	2		10			
32-2					2	
32-20	1	19				
32-3					3	
32-4				2	2	
32-5				5		
32-6		3			3	
32-7				7		
32-A22		22				
36-16	3		13			
36-2						2
36-4					4	
36-9	14	14	2	1		
36-A8				8		
36-B8	4				4	
40-10	16		9	4		
40-21			21			
40-5					5	

HOW TO ORDER	
Sample Part Number →	970-007 ZL 20-4 P 1 -1
Basic Part Number	970-007 Hermetic Jam Nut Feed-Thru Receptacle
Material/Finish	Z1 = Stainless Steel / Passivated ZL = Stainless Steel / Electrodeposited Nickel
Shell Size-Insert Arr.	See "Insert Arrangements" Table
Contact Type	P = Pin Contacts on Jam Nut Side (sockets opposite) S = Socket Contacts on Jam Nut Side (pins opposite)
Contact Plating	1 = Silver* 2 = Gold * Size 8, 4, 1/0 and 2/0 are silver plated. Size 12 and 16 contacts are gold-plated.
Keyway Position	-1, -2, -3, -4, -5, or -6

RATINGS
Voltage (DWV): 2000 Volts AC
Current: Size 16 contact 10 amps Size 12 contact 17 amps Size 8 contact 30 amps Size 4 contact 60 amps Size 1/0 contact 125 amps Size 2/0 contact 150 amps
Operating temperature: -65° to +200°C
Hermeticity: 1E-7 cm ³ /s max leak rate @ 1 atmos
Durability: 500 mating cycles
EMI shielding effectiveness: 65 dB min. 100 MHz to 10 GHz
Shock: 50 g
Vibration: per MIL-DTL-38999 Series III MIL-S-901 high impact shock: Grade A
Blowing sand and dust: MIL-STD-810, method 510.5
Altitude immersion: 75,000 feet
Ingress protection: IP67
Pressure rating: 200 PSI

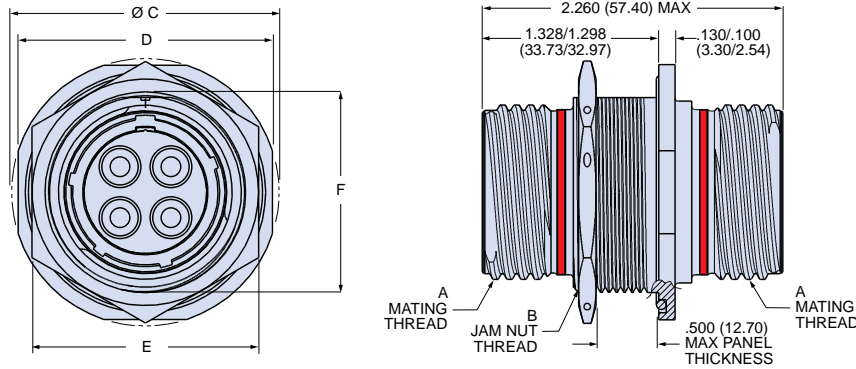
CONSTRUCTION
Contacts: iron-nickel alloy, gold or silver plated. Socket contacts have BeCu springs.
Shell, jam nut: stainless steel, passivated or electrodeposited nickel
Insulator: vitreous glass and thermoset epoxy
Seals: fluorosilicone blend elastomer

HERMETIC AND FILTER RECEPTACLES

Hermetic and Filter Receptacles

970-007 Hermetic Jam Nut Feed-Thru Receptacle

HERMETIC AND FILTER RECEPTACLES



DIMENSIONS										
Shell Size	A Mating Thd.	B Jam-Nut Thd.	Ø C		D		E		F	
			In.	mm.	In.	mm.	In.	mm.	In.	mm.
18	1.125-.1P-.3L-TS-2A	1.250-18 UNEF-2A	1.733	44.02	1.639	41.63	1.438	36.53	1.212	30.78
20	1.250-.1P-.3L-TS-2A	1.4375-18 UNEF-2A	1.921	48.79	1.827	46.41	1.625	41.28	1.399	35.53
24	1.500-.1P-.3L-TS-2A	1.625-18 UNEF-2A	2.108	53.54	2.014	51.16	1.822	46.42	1.587	40.31
28	1.750-.1P-.3L-TS-2A	1.9375-16 UN-2A	2.425	61.60	2.327	59.11	2.188	55.58	1.899	48.23
32	2.000-.1P-.3L-TS-2A	2.125-16 UN-2A	2.607	66.24	2.513	63.86	2.375	60.33	2.087	53.01
36	2.250-.1P-.3L-TS-2A	2.375-16 UN-2A	2.857	72.57	2.763	70.18	2.625	66.68	2.323	59.00
40	2.500-.1P-.3L-TS-2A	2.625-16 UN-2A	3.107	78.92	3.013	76.53	2.875	73.03	2.548	64.72

KEY POSITIONS				
Position	A°	B°	C°	D°
1	80	142	196	293
2	135	170	200	310
3	49	169	200	244
4	66	140	200	257
5	62	145	180	280
6	79	153	197	272

PANEL CUTOUT				
Shell Size	Diameter		Flat	
	In.	mm.	In.	mm.
18	1.265	32.13	1.217	30.91
20	1.452	36.88	1.409	35.79
24	1.640	41.66	1.596	40.54
28	1.952	49.58	1.910	48.51
32	2.140	54.36	2.092	53.14
36	2.390	60.71	2.342	59.49
40	2.640	67.06	2.557	64.95

RECOMMENDED JAM NUT TORQUE	
Shell Size	Min-Max (in-lb.)
18	80-85
20	100-110
24	110-120
28	145-155
32	170-180
36	190-200
40	210-220