



Hermetic and Filter Receptacles

970-026 Hermetic Jam Nut Feed-Thru Receptacle, 2 O-rings



970-026 feed-thru receptacle with double panel O-ring has stainless steel shell, fused glass insulator and nickel-iron alloy contacts. Contacts are pin on one side and socket on the opposite side. Attach plug connector to both sides. Coupling threads are triple-start ACME quick-disconnect. PowerTrip connectors feature low resistance LouverBand contacts and are designed to withstand extreme environments.

- Quick-disconnect self-locking aerospace-grade power connector
- 2000 VAC (DWV)
- -65° to +200°C
- Fused glass hermetic seal
- High shock, high vibration

INSERT ARRANGEMENTS						
Insert Arr.	Contact Size and Quantity					
	#16	#12	#8	#4	#1/0	#2/0
18-2			2			
18-4		2	2			
20-3			3			
20-4			4			
20-5		2	3			
20-7	4		3			
24-1					1	
24-2				2		
24-3				3		
24-5			5			
24-6		4		2		
24-A1						1
24-A6		3		3		
28-12	6		6			
28-15	15					
28-4				4		
28-8		1	7			
28-9	5			4		
32-12	2		10			
32-2					2	
32-20	1	19				
32-3					3	
32-4				2	2	
32-5				5		
32-6		3			3	
32-7				7		
32-A22		22				
36-16	3		13			
36-2						2
36-4					4	
36-9	14	14	2	1		
36-A8				8		
36-B8	4				4	
40-10	16		9	4		
40-21			21			
40-5					5	

HOW TO ORDER						
Sample Part Number →						
Basic Part Number	970-026	Z1	20-4	P	2	-1
Material/Finish	Z1 = Stainless Steel / Passivated ZL = Stainless Steel / Electrodeposited Nickel					
Shell Size-Insert Arr.	See "Insert Arrangements" Table					
Contact Type	P = Pin Contacts on Jam Nut Side (sockets opposite) S = Socket Contacts on Jam Nut Side (pins opposite)					
Contact Plating	1 = Silver* 2 = Gold * Size 8, 4, 1/0 and 2/0 contacts are silver plated. Size 12 and 16 contacts are gold-plated.					
Keyway Position	-1, -2, -3, -4, -5, or -6					

RATINGS
Voltage (DWV): 2000 Volts AC
Current: Size 16 contact 10 amps Size 12 contact 17 amps Size 8 contact 30 amps Size 4 contact 60 amps Size 1/0 contact 125 amps Size 2/0 contact 150 amps
Operating temperature: -65° to +200°C
Hermeticity: 1E-7 cm ³ /s max leak rate @ 1 atmos
Durability: 500 mating cycles
EMI shielding effectiveness: 65 dB min. 100 MHz to 10 GHz
Shock: 50 g
Vibration: per MIL-DTL-38999 Series III MIL-S-901 high impact shock: Grade A
Blowing sand and dust: MIL-STD-810, method 510.5
Altitude immersion: 75,000 feet
Ingress protection: IP67
Pressure rating: 200 PSI

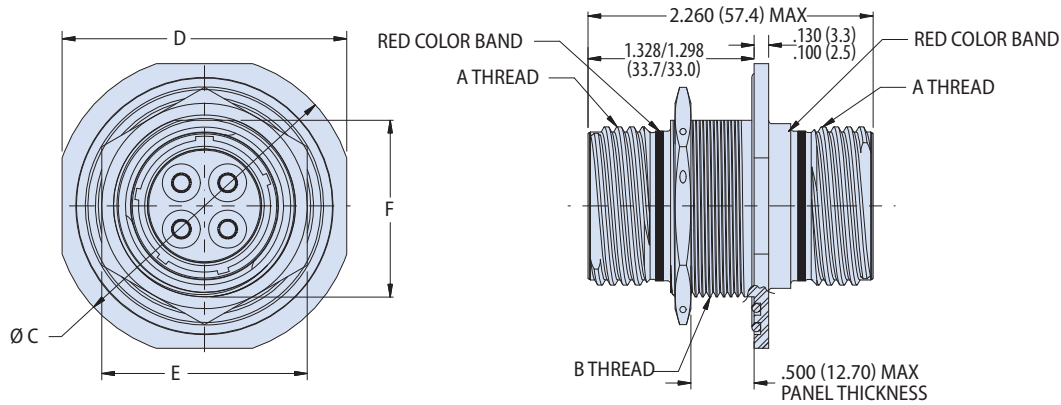
CONSTRUCTION
Contacts: iron-nickel alloy, gold or silver plated. Socket contacts have BeCu springs.
Shell, jam nut: stainless steel, passivated or electrodeposited nickel
Insulator: vitreous glass and thermoset epoxy
Seals: fluorosilicone blend elastomer

HERMETIC AND FILTER RECEPTACLES

Hermetic and Filter Receptacles

970-026 Hermetic Jam Nut Feed-Thru Receptacle, 2 O-rings

HERMETIC AND FILTER RECEPTACLES



DIMENSIONS										
Shell Size	A Mating Thd.	B Jam-Nut Thd.	ø C		D		E		F	
			In.	mm.	In.	mm.	In.	mm.	In.	mm.
18	1.125-.1P-.3L-TS-2A	1.250-18 UNEF-2A	2.250	57.15	2.125	53.98	1.438	36.53	1.212	30.78
20	1.250-.1P-.3L-TS-2A	1.4375-18 UNEF-2A	2.375	60.33	2.250	57.15	1.625	41.28	1.399	35.53
24	1.500-.1P-.3L-TS-2A	1.625-18 UNEF-2A	2.625	66.68	2.500	63.50	1.822	46.42	1.587	40.31
28	1.750-.1P-.3L-TS-2A	1.9375-16 UN-2A	2.875	73.03	2.700	68.58	2.188	55.58	1.899	48.23
32	2.000-.1P-.3L-TS-2A	2.125-16 UN-2A	3.000	76.20	2.800	71.12	2.375	60.33	2.084	53.00
36	2.250-.1P-.3L-TS-2A	2.375-16 UN-2A	3.125	79.38	3.025	76.84	2.625	66.68	2.323	59.00
40	2.500-.1P-.3L-TS-2A	2.625-16 UN-2A	3.50	88.90	3.300	83.82	2.875	73.03	2.548	54.72

KEY POSITIONS					
Position	A°	B°	C°	D°	
1	80	142	196	293	
2	135	170	200	310	
3	49	169	200	244	
4	66	140	200	257	
5	62	145	180	280	
6	79	153	197	272	

PANEL CUTOUT				
Shell Size	Diameter		Flat	
	In.	mm.	In.	mm.
18	1.265	32.13	1.217	30.91
20	1.452	36.88	1.409	35.79
24	1.640	41.66	1.596	40.54
28	1.952	49.58	1.910	48.51
32	2.140	54.36	2.092	53.14
36	2.390	60.71	2.342	59.49
40	2.640	67.06	2.557	64.95

RECOMMENDED JAM NUT TORQUE	
Shell Size	Min-Max (in-lb.)
18	80-85
20	100-110
24	110-120
28	145-155
32	170-180
36	190-200
40	210-220