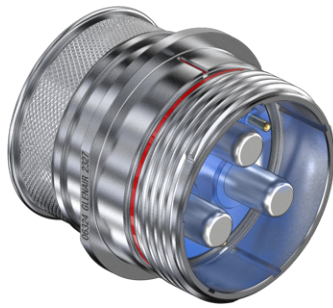




Cable Connectors

970-033 Receptacle with Banding Platform



970-033 cable mount receptacle has integral banding platform. Terminate cable shield directly to connector with Band-Master ATS® banding strap, sold separately. Coupling threads are triple-start ACME quick-disconnect. EMI protected with ground spring on mating plug. Aluminum or stainless steel shell has five polarizing keyways. Crimp rear-release contacts are packaged with connector. PowerTrip connectors feature low resistance LouverBand contacts and are designed to withstand extreme environments.

- Quick-disconnect, high shock, high vibration, self-locking connector
- 2000 VAC (DWV)
- -65° to +200 °C
- Plug has EMI ground spring
- Crimp, rear-release contacts
- Advanced IP68+ sealing

CABLE CONNECTORS

INSERT ARRANGEMENTS						
Insert Arr.	Contact Size and Quantity					
	#16	#12	#8	#4	#1/0	#2/0
18-2			2			
18-4		2	2			
20-3			3			
20-4			4			
20-5		2	3			
20-7	4		3			
24-1					1	
24-2				2		
24-3				3		
24-5			5			
24-6		4		2		
24-A1						1
24-A6		3		3		
28-12	6		6			
28-15	15					
28-4				4		
28-8		1	7			
28-9	5			4		
32-12	2		10			
32-2					2	
32-20	1	19				
32-3					3	
32-4				2	2	
32-5				5		
32-6		3			3	
32-7				7		
32-A22		22				
36-16	3		13			
36-2						2
36-4					4	
36-9	14	14	2	1		
36-A8				8		
36-B8	4				4	
40-10	16		9	4		
40-21			21			
40-5					5	

HOW TO ORDER					
Sample Part Number →	970-033	MT	18-2	P2	-1
Basic Part Number	970-033 Cable Receptacle with Banding Platform				
Material/Finish	ME = Aluminum / Electroless Nickel MT = Aluminum / Nickel PTFE NF = Aluminum / Olive Drab Cadmium TZ = Aluminum / Tin-Zinc ZR = Aluminum / Black Zinc-Nickel Z1 = Stainless Steel / Passivated				
Shell Size-Insert Arr.	See "Insert Arrangements" Table				
Contact Gender and Plating	A = Pin Connector, without Contacts B = Socket Connector, without Contacts P1 = Pin Contacts, Silver Plating* P2 = Pin Contacts, Gold Plating S1 = Socket Contacts, Silver Plating* S2 = Socket Contacts, Gold Plating * Size 12 and 16 contacts are gold-plated. Size 8, 4, 1/0 and 2/0 are silver plated.				
Keyway Position	-1, -2, -3, -4, -5, or -6				

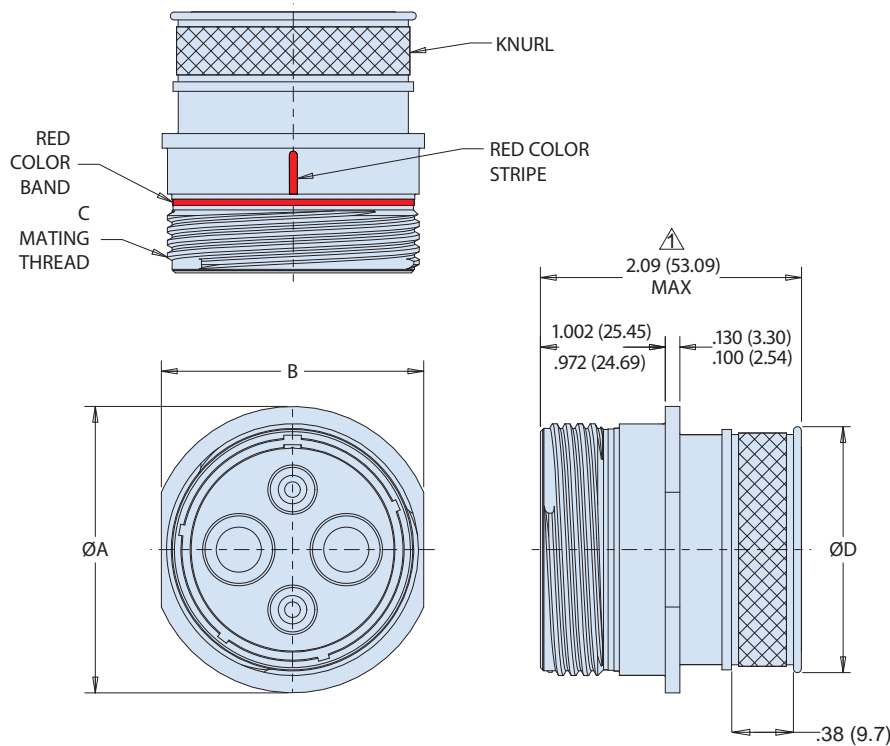
RATINGS
Voltage (DWV): 2000 Volts AC
Current: Size 16 contact 13 amps Size 12 contact 23 amps Size 8 contact 60 amps Size 4 contact 100 amps Size 1/0 contact 175 amps Size 2/0 contact 205 amps
Operating temperature: Matl/Finish Codes ME, Z1: -65° to +200°C Codes MT,NF, TZ, ZR: -65 to +175 °C
Durability: 500 mating cycles
EMI shielding effectiveness: 65 dB min. 100 MHz to 10 GHz
Shock: 50 g
Vibration: per MIL-DTL-38999 Series III
MIL-S-901 high impact shock: Grade A
Blowing sand and dust: MIL-STD-810, method 510.5
Altitude immersion: 75,000 feet
Ingress protection: IP67
Water pressure: 6 feet, 48 hours

CONSTRUCTION
Contacts: size #8 and larger: high conductivity copper alloy, gold or silver plated. Size #12, #16: copper alloy, gold plated
Shell: Aluminum or stainless steel, see How to Order
Insulator: Glass-filled thermoset epoxy
Wire grommet, face seal: Fluorosilicone/silicone blend
Contact Retention clip: Beryllium copper
Insert retainer ring: High-temperature thermoplastic

Cable Connectors

970-033 Receptacle with Banding Platform

CABLE CONNECTORS



△OAL IS 2.223 (56.46) FOR INSERT ARRANGEMENTS WITH #2/0 CONTACTS. GROMMET PROTRUDES BEYOND SHELL.

DIMENSIONS

Shell Size	ø A ± .010 (0.3)		B ± .005 (0.1)		C		ø D	
	In.	mm.	In.	mm.	Mating Thread	In.	mm.	
18	1.328	33.73	1.138	28.91	1.125-0.1P-0.3L-TS-2A	1.037	26.34	
20	1.515	38.48	1.325	33.66	1.250-0.1P-0.3L-TS-2A	1.163	29.54	
24	1.703	43.26	1.513	38.43	1.500-0.1P-0.3L-TS-2A	1.350	34.29	
28	2.078	52.02	1.888	47.96	1.750-0.1P-0.3L-TS-2A	1.670	42.42	
32	2.265	57.53	2.075	52.71	2.000-0.1P-0.3L-TS-2A	1.945	49.40	
36	2.515	63.89	2.325	58.96	2.250-0.1P-0.3L-TS-2A	2.176	55.27	
40	2.765	70.23	2.575	65.41	2.500-0.1P-0.3L-TS-2A	2.390	60.71	

SHRINK BOOT



Connector accommodates lipped shrink boot. Boot is ordered separately. Boot provides cable strain relief and environmental protection. Type 1 high-performance semi-rigid elastomer resists fuels and oils and withstands temperature extremes. Available with W1 hot melt adhesive pre-coat. Operating temperature range -75 to +150 °C (no adhesive), -55 to +125 °C (with W1 adhesive).

Shell Size	Shrink Boot P/N	Adhesive Lined Shrink Boot P/N
18	770-001S106	770-001S106W1
20	770-001S106	770-001S106W1
24	770-001S107	770-001S107W1
28	770-001S108	770-001S108W1
32	770-001S108	770-001S108W1
36	770-001S109	770-001S109W1
40	770-001S109	770-001S109W1

SHIELD BAND

Shield band is not included with connector. Order separately.

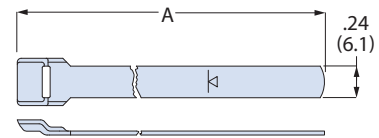
Use banding strap to terminate cable braid directly to connector. Stainless steel band strap provides fast, cost-effective and highly reliable termination of braided metallic shielding. The Band-Master ATS® Advanced Cable Shield Termination System is the overwhelming favorite throughout the military aerospace and defense industries, providing excellent static loading and corrosion resistance in electrical wire interconnect systems.



Band Strap

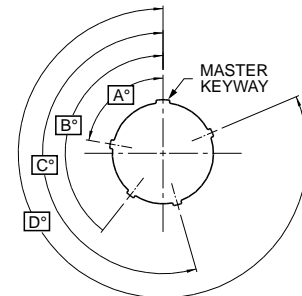


Banding Tool
601-100



A Length	Fits up to Dia.		Band Strap (pre-coiled) Part Number
	in	mm	
14	355	1.80 45.7	601-041
18	457	2.50 63.5	601-050

KEY POSITIONS



Position	A°	B°	C°	D°
1	80	142	196	293
2	135	170	200	310
3	49	169	200	244
4	66	140	200	257
5	62	145	180	280
6	79	153	197	272