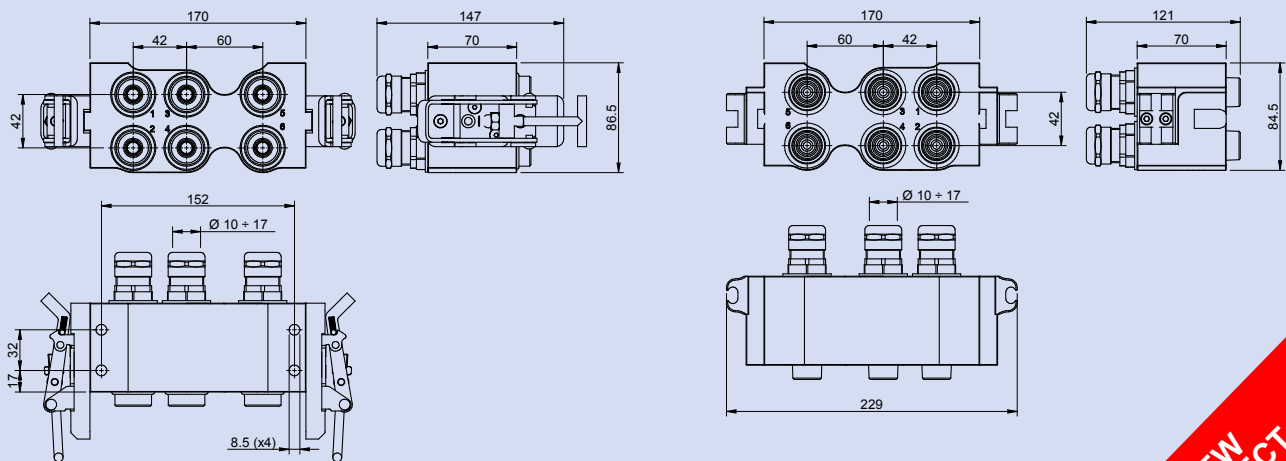


**NEW PROJECT**

## IRT 6 Poles Series Connectors

### DESCRIPTION

Receptacle and Plug in aluminium alloy.  
 Closing system with Latches with unlocking security system, padlockable.  
 Assisted and polarized coupling by side guides



**NEW PROJECT**

**IRT Series**  
**Rectangular Multi Pole Power Connector**  
Plug Shell Size 06  
Assembly for Metal and Screen EMC Gland



NEW  
PROJECT

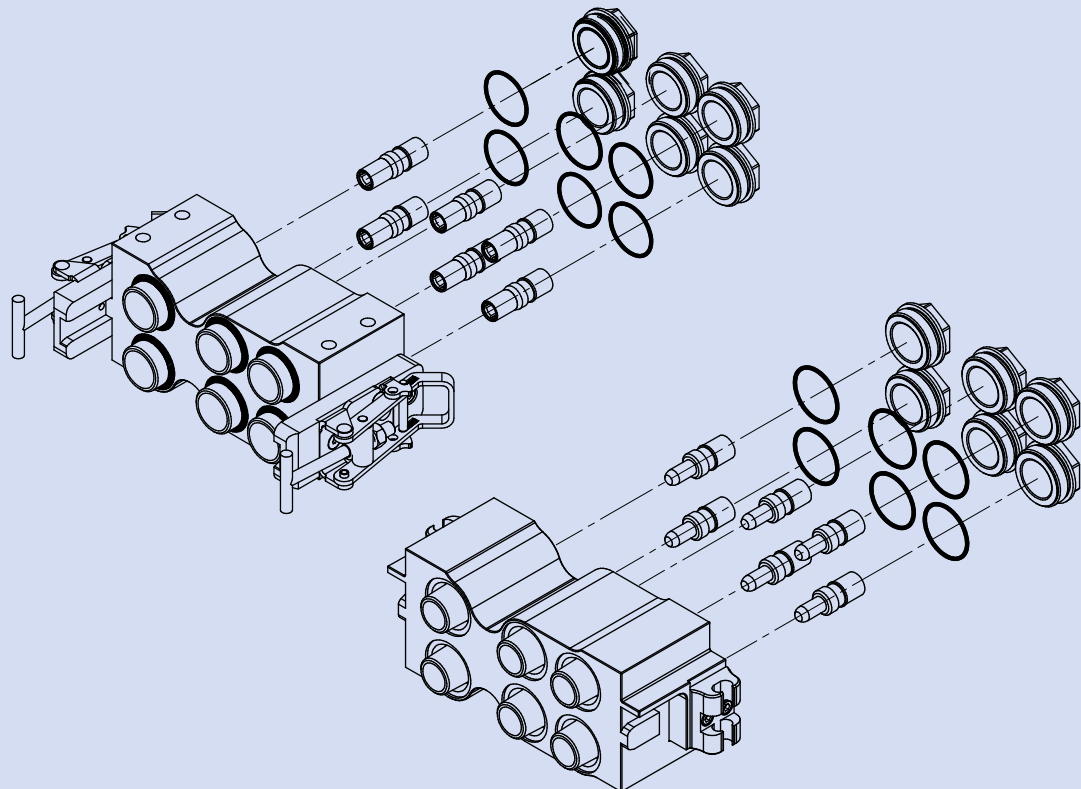
A

**TECHNICAL CHARACTERISTICS**

- 8 socket crimp contacts:
- 6 size 1/0 contacts with buckets for 50 mm<sup>2</sup>  
(interlock - backwarded)
- starting current rating : 180A (for 30 sec. every 2min.)
- working current : Size 1/0 = 150 A a 80°C - Size 16 = 13 A a 80°C
- working voltage : 1'500 Vac / 50 Hz
- test voltage: 4'500 Vac / 50Hz
- working temperature: (-55 to +125)°C
- IP rating (coupled connector): IP67
- weight: 2.5 kg

**MATERIAL AND PROTECTION PLATING**

- Contacts: copper alloy with silver plating (G10)
- Inserts: polychloroprene rubber
- Gaskets: polychloroprene rubber and silicone
- Body: aluminium alloy
- electrodeposition of black paint (F6) (cataphoresis)
- RoHS compliant
- Latch: stainless steel
- Screws and others: stainless steel



NEW  
PROJECT