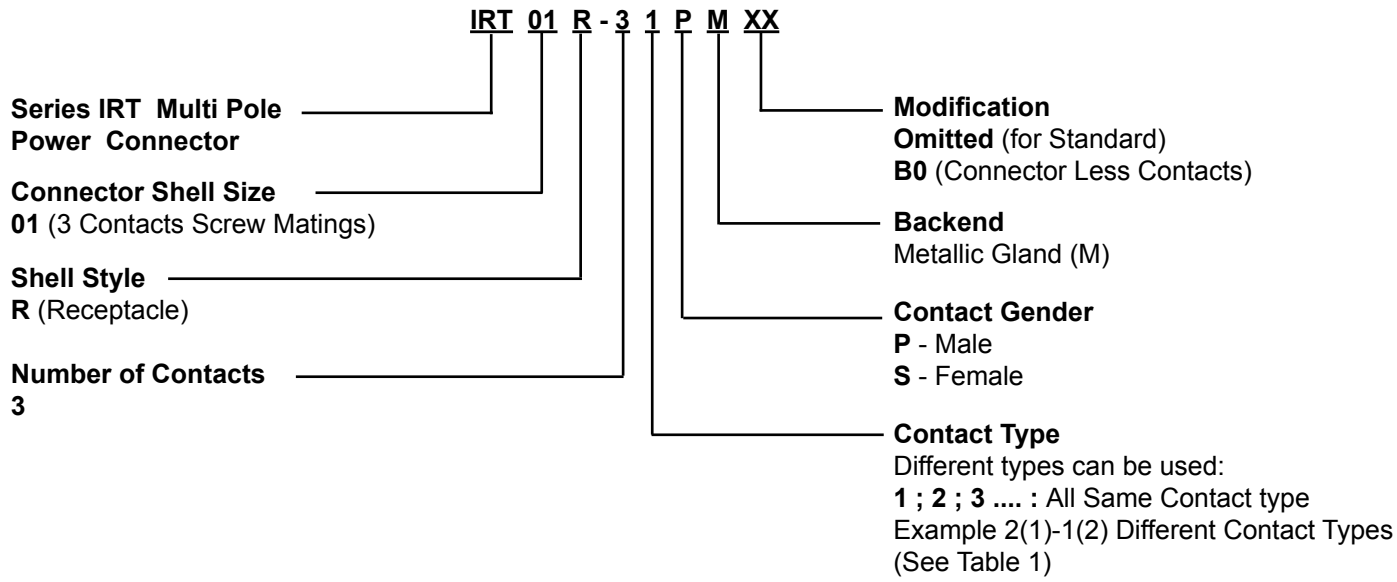




IRT Series
Rectangular Multi Pole Power Connector
 Receptacle Shell Size 01 Connector
 Assembly for Metallic Gland

A



- Application Notes:**
- Receptacle with metallic gland. RoHs compliant.
 - Working voltage: 1500 Vac.
 - Test voltage: 4500 Vac.
 - Water proof: IP67 level (coupled connectors).
 - Contact resistance: 0.3 mΩ max.
 - Temperature range: -55 to +125°C.
 - Contact: copper alloy silver plating.
 - Insulator: UL94V0-NFF16-102:12F1 (exigency 4).
 - Shell: Aluminium alloy with electrodeposited black plating.
 - Clearance in air: 16.0 mm Min.
 - Creepage distance: 16.0 mm Min.

IRT Series
Rectangular Multi Pole Power Connector
 Receptacle Shell Size 01
 Assembly for Metallic Gland



IRT
Connectors

A

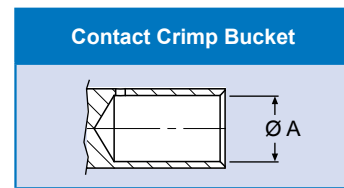
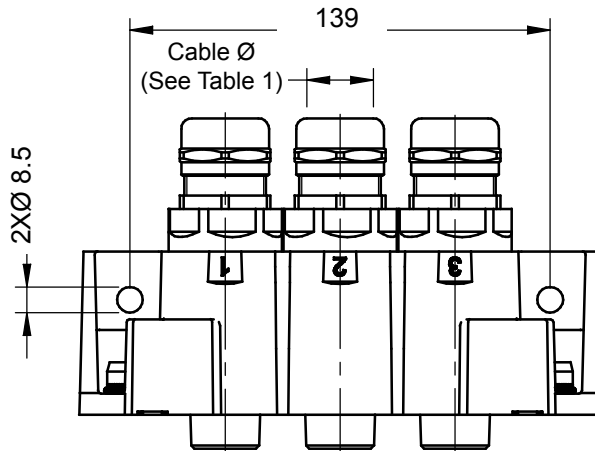
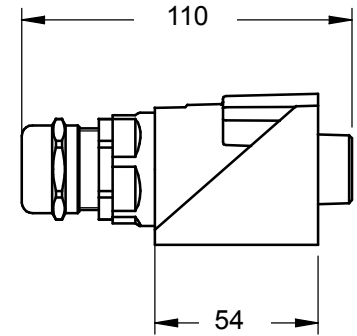
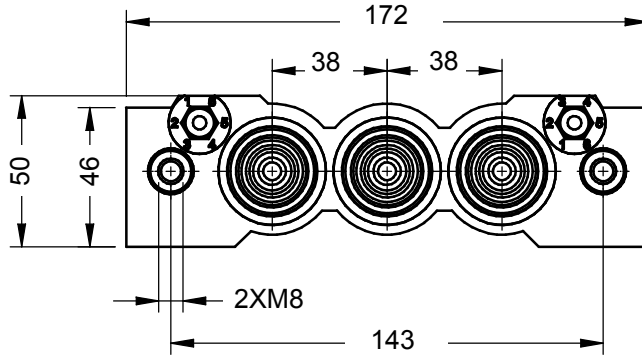


TABLE 1 - CONTACTS

Contact Type	Male Contact P/N	Female Contact P/N	Crimp Bucket - A - (mm)	Cable Section (AWG)	Cable Section (mmq)	Cable Diameter (mmq)		Working Current (A) *	Max Current (A) *
						Min	Max		
1	IRT-1-P-620G10	IRT-1-S-620G10	6.2	4	25	6	13	120	150
2	IRT-2-P-1070G10	IRT-2-S-1070G10	10.7	1/0	50	10	17	150	250
3	IRT-3-P-1650G10	IRT-3-S-1650G10	16.5	4/0	120	16	19	350	450
3A	IRT-3-P-1440G10	IRT-3-S-1440G10	14.4	2/0	70	10	17	250	300
3B	IRT-3-P-1440G10	IRT-3-S-1440G10	14.4	3/0	95	12.5	16	320	400

* Related to cables section