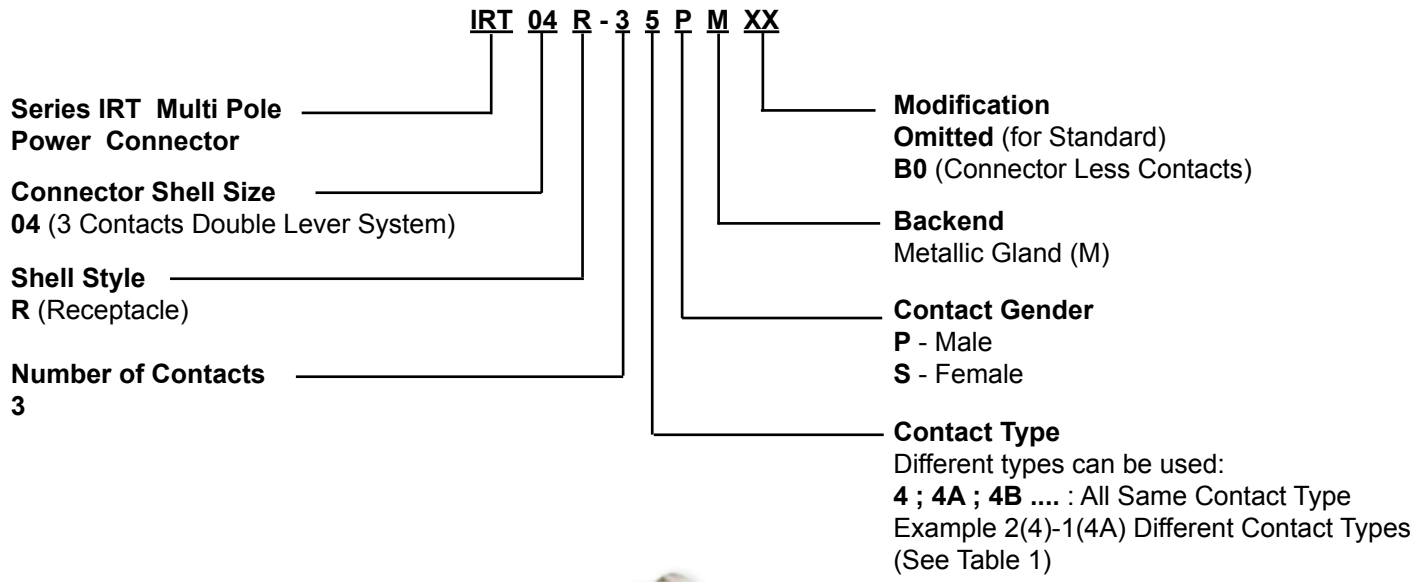


IRT Series
Rectangular Multi Pole Power Connector
 Receptacle Shell Size 04
 Assembly for Metallic Gland

A



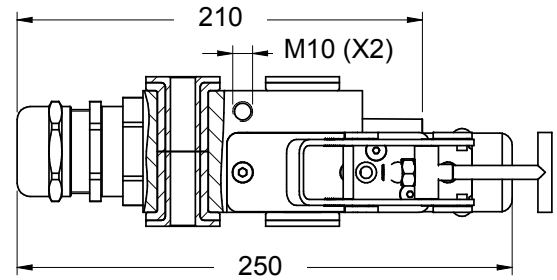
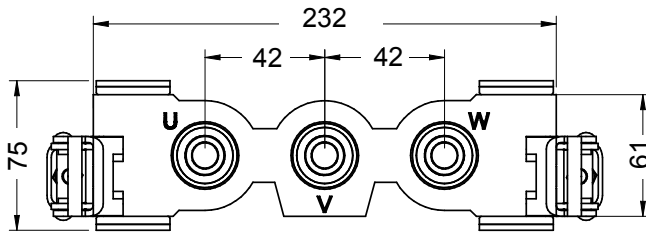
Application Notes:

- Receptacle with metallic gland and dumpers, for bogie applications. RoHs compliant.
- Working voltage: 3000 Vac.
- Test voltage: 12000 Vac.
- Water proof: IP67 level (coupled connectors).
- Contact resistance: 0.3 mΩ max.
- Temperature range: -55 to +125°C.
- Contact: copper alloy silver plating.
- Insulator: UL94V0-NFF16-102:I2F1 (exigency 4).
- Shell: Aluminium alloy with electrodeposited black plating.
- Clearance in air: 26.8 mm Min.
- Creepage distance: 26.8 mm Min.

IRT Series
Rectangular Multi Pole Power Connector
 Receptacle Shell Size 04
 Assembly for Metallic Gland



IRT
Connectors



A

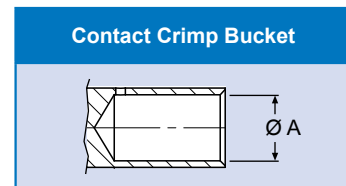
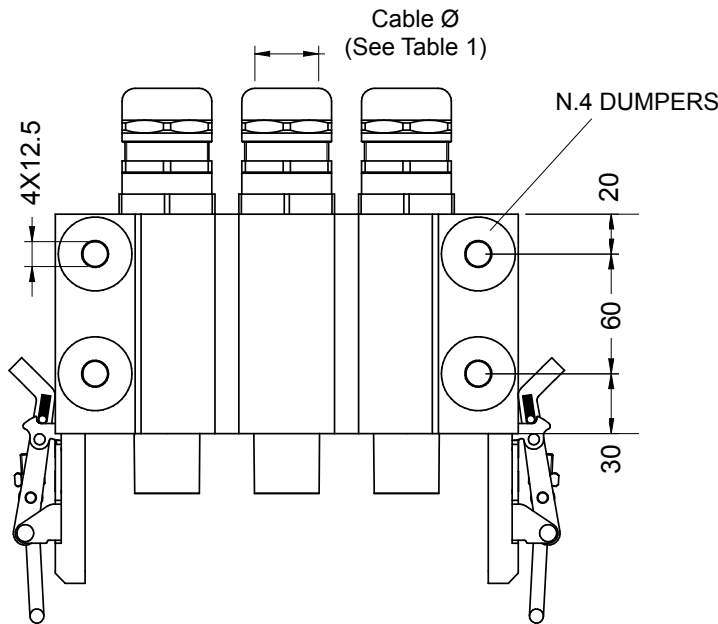


TABLE 1 - CONTACTS

Contact Type	Male Contact P/N	Female Contact P/N	Crimp Bucket - A - (mm)	Cable Section (AWG)	Cable Section (mmq)	Cable Diameter (mmq)		Working Current (A) *	Max Current (A) *
						Min	Max		
4	IRT-4-P-1780G10	IRT-4-S-1780G10	17.8	26MCM	120	11	21	450	520
4A	IRT-4-P-1650G10	IRT-4-S-1650G10	16.5	4/0	107	11	21	350	450
4B	IRT-4-P-1440G10	IRT-4-S-1440G10	14.4	3/0	95	11	21	320	400
4C	IRT-4-P-1440G10	IRT-4-S-1440G10	14.4	2/0	70	11	21	250	300
4D	IRT-4-P-1150G10	IRT-4-S-1150G10	11.5	1/0	50	10	17	150	250

* Related to cables section