

806-072
 Plug Connector, Socket Contacts



PART NUMBER

Base P/N	Series 806 RF Plug (Socket Connector Less Contacts)	806-072	ME	24RF8	M	A
Material/ Finish	NF Alum/ Cad/O.D. over Electroless Nickel MT Alum/ Nickel-PTFE ME Alum/ Electroless Nickel ZR Alum/ Black Zinc-Nickel ZL SST/ Nickel Plating					
Size and RF Insert Arrangement	See Table					
Shell Rear Style	M Metric Accessory Threads B Nano Band Platform					
Polarization	A (Normal), B, C, D, E, F					

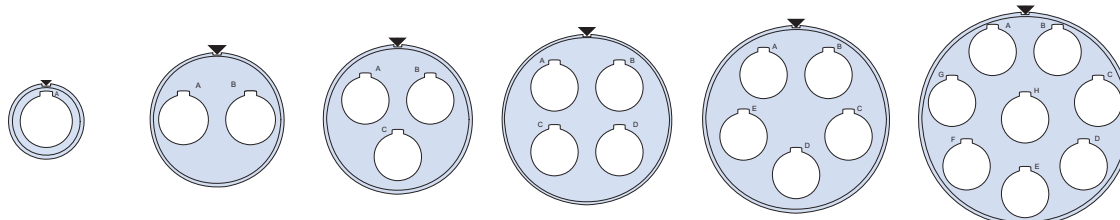
POLARIZATION KEY CODE

POS	A	B	C	D
A	105	140	215	265
B	102	170	248	305
C	80	150	230	295
D	68	140	205	275
E	64	155	234	304
F	72	120	200	298

Series 806 Size 8 RF Contact Arrangements

Mating face of pin connector. Socket numbering is reversed.

Symbol ▼ indicates master key location.

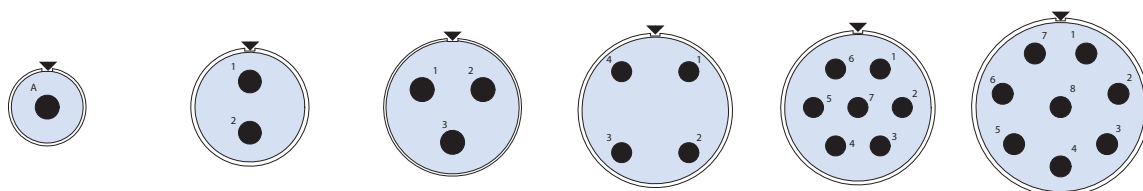


Arrangement No.	10RF1	16RF2	18RF3	20RF4	22RF5	24RF8
-----------------	--------------	--------------	--------------	--------------	--------------	--------------

Series 806 Size 12 RF Contact Arrangements

Mating face of pin connector. Socket numbering is reversed.

Symbol ▼ indicates master key location.

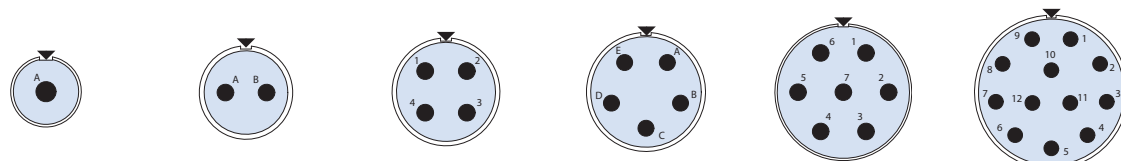


Arrangement No.	9RF1	12RF2	14RF3	16RF4	16RF7	18RF8
-----------------	-------------	--------------	--------------	--------------	--------------	--------------

Series 806 Size 16 RF Contact Arrangements

Mating face of pin connector. Socket numbering is reversed.

Symbol ▼ indicates master key location.



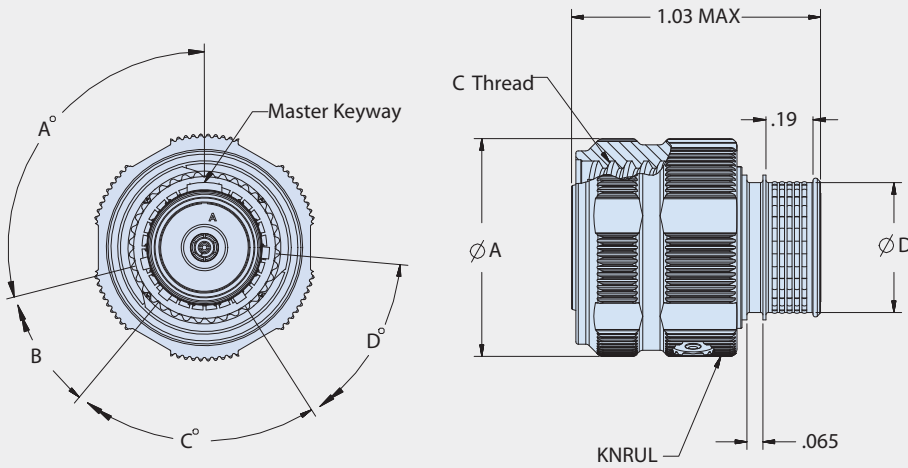
Arrangement No.	8RF1	10RF2	11RF4	12RF5	14RF7	16RF12
-----------------	-------------	--------------	--------------	--------------	--------------	---------------

SERIES 806 MULTI-PIN RF CONNECTORS

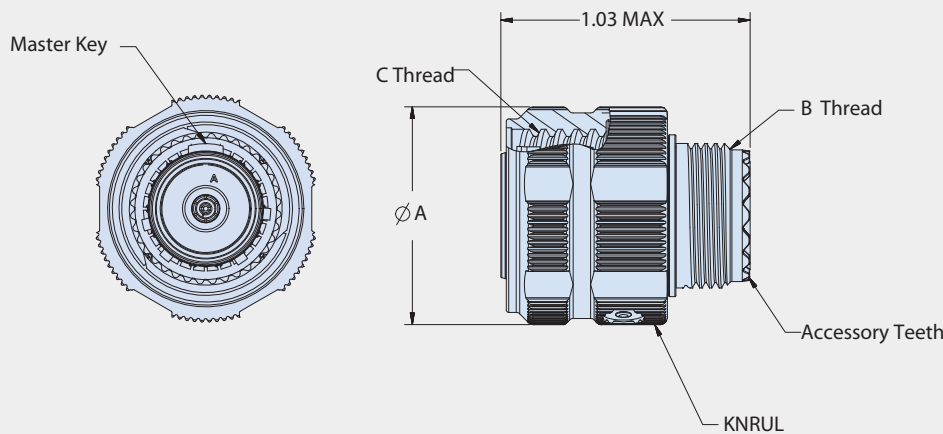
806-072
 Plug Connector (Socket Contacts)

SERIES 806 MULTI-PIN RF CONNECTORS

806-072 BAND PLATFORM



806-072 METRIC ACCESSORY THREAD



Shell Size	Ø A Max	B Thread	C Mating THD Triple Start Modified 60° Stub ACME	Ø D
8	0.676	M10 X 1.0-6g-100R	0.500-.067P-.2L-TS-2B	0.327
9	0.771	M12 X 1.0-6g-100R	0.562-.067P-.2L-TS-2B	0.406
10	0.832	M14 X 1.0-6g-100R	0.625-.067P-.2L-TS-2B	0.484
11	0.890	M15 X 1.0-6g-100R	0.688-.067P-.2L-TS-2B	0.524
12	0.950	M17 X 1.0-6g-100R	0.750-.067P-.2L-TS-2B	0.603
14	1.110	M19 X 1.0-6g-100R	0.875-.067P-.2L-TS-2B	0.681
16	1.170	M22 X 1.0-6g-100R	1.000-.067P-.2L-TS-2B	0.782
18	1.350	M25 X 1.0-6g-100R	1.125-.067P-.2L-TS-2B	0.899
20	1.470	M28 X 1.0-6g-100R	1.250-.067P-.2L-TS-2B	1.043
22	1.600	M31 X 1.0-6g-100R	1.375-.067P-.2L-TS-2B	1.155
24	1.710	M34 X 1.0-6g-100R	1.500-.067P-.2L-TS-2B	1.273