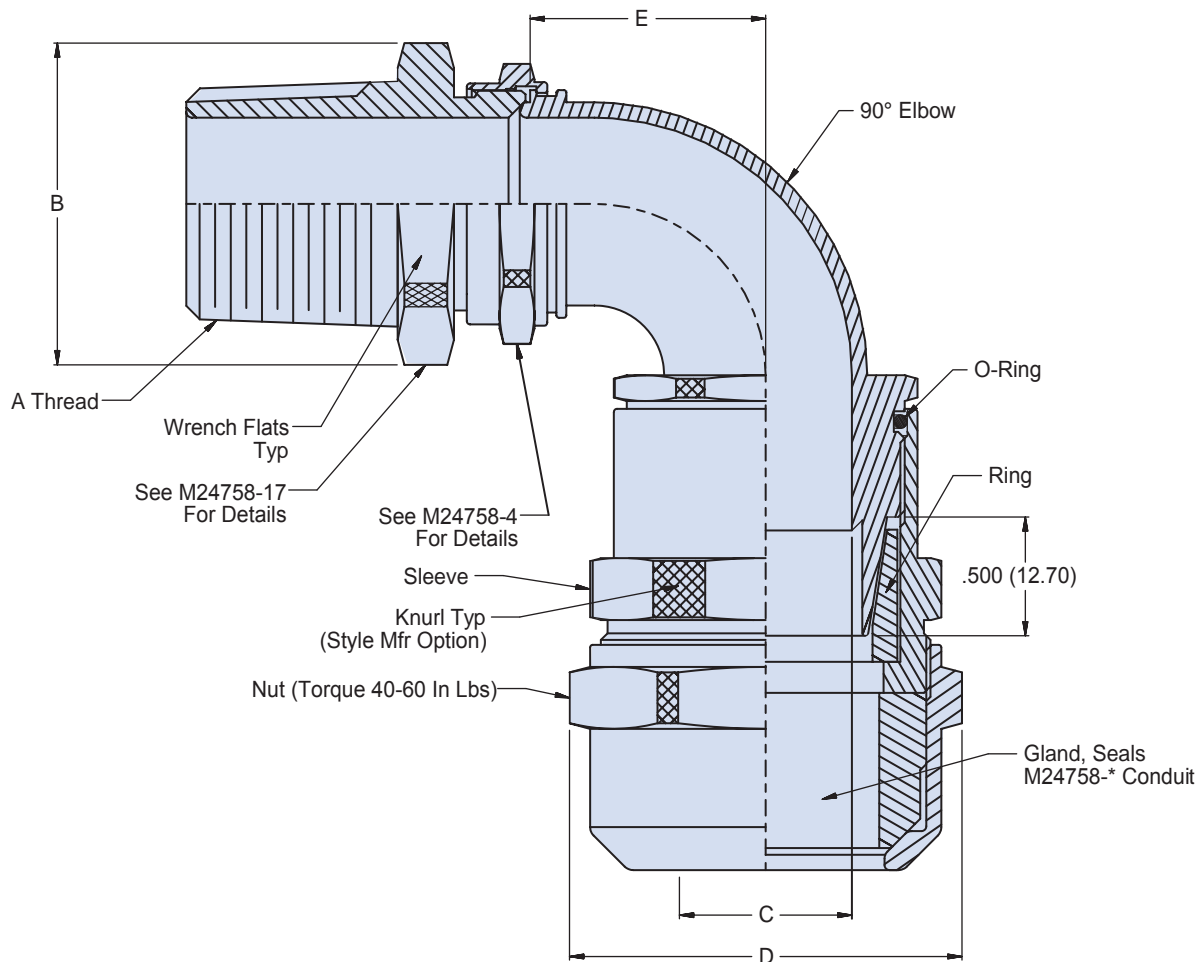
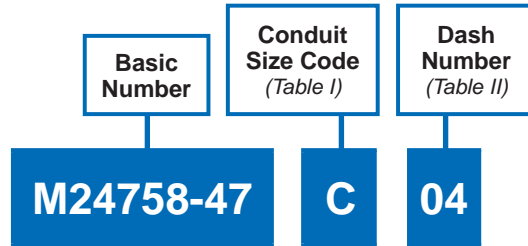


A



### APPLICATION NOTES

1. Assembly identified with manufacturer's code identification number (Glenair, part number and classification code 490).
2. The function of the M24758-47 fitting is to terminate M24758-\* flexible shielding conduit to a reusable fitting having an external tapered pipe thread.
3. Use Glenair 600-176 jam nut wrench.
4. Material / Finish:  
90° Elbow, nuts, 90° elbow, sleeve and ring - 316L SST/  
Electroless nickel, matte finish.  
O-Ring and gland - Silicone rubber/NA  
Sealing washer - See individual drawing.
5. Metric dimensions (mm) are indicated in parentheses.

**MIL-PRF-24758-47**  
**90° Elbow • Conduit to Tapered Pipe Thread**



MIL-PRF  
24758A

A

**TABLE I: CONDUIT SIZE CODE**

CONDUIT SIZE CODE	D MIN DIA	E MAX DIA
A	.245 (6.22)	1.140 (28.96)
B	.495 (12.57)	1.460 (37.08)
C	.745 (18.92)	1.780 (45.21)
D	.995 (24.88)	2.030 (51.56)
E	1.245 (31.62)	2.280 (57.91)
F	1.495 (37.97)	2.530 (64.26)
G	1.995 (50.67)	3.140 (79.76)
H	2.495 (63.37)	3.650 (92.71)
J	.370 (9.40)	1.340 (34.04)
K	.620 (15.75)	1.650 (41.91)
L	2.995 (76.07)	4.150 (105.41)

**TABLE II: DASH NUMBER**

DASH NUMBER	A EXTERNAL TAPER PIPE THREAD	B MAX DIA
01	.250-18 NPT	1.000 (25.40)
02	.375-18 NPT	1.130 (28.70)
03	.500-14 NPT	1.250 (31.75)
04	.750-14 NPT	1.500 (38.10)
05	1.000-11.5 NPT	1.750 (44.45)
06	1.250-11.5 NPT	2.130 (54.10)
07	1.500-11.5 NPT	2.380 (60.45)
08	2.000-11.5 NPT	2.880 (73.15)
09	2.500-8 NPT	3.380 (85.85)
10	3.000-8 NPT	4.130 (104.90)