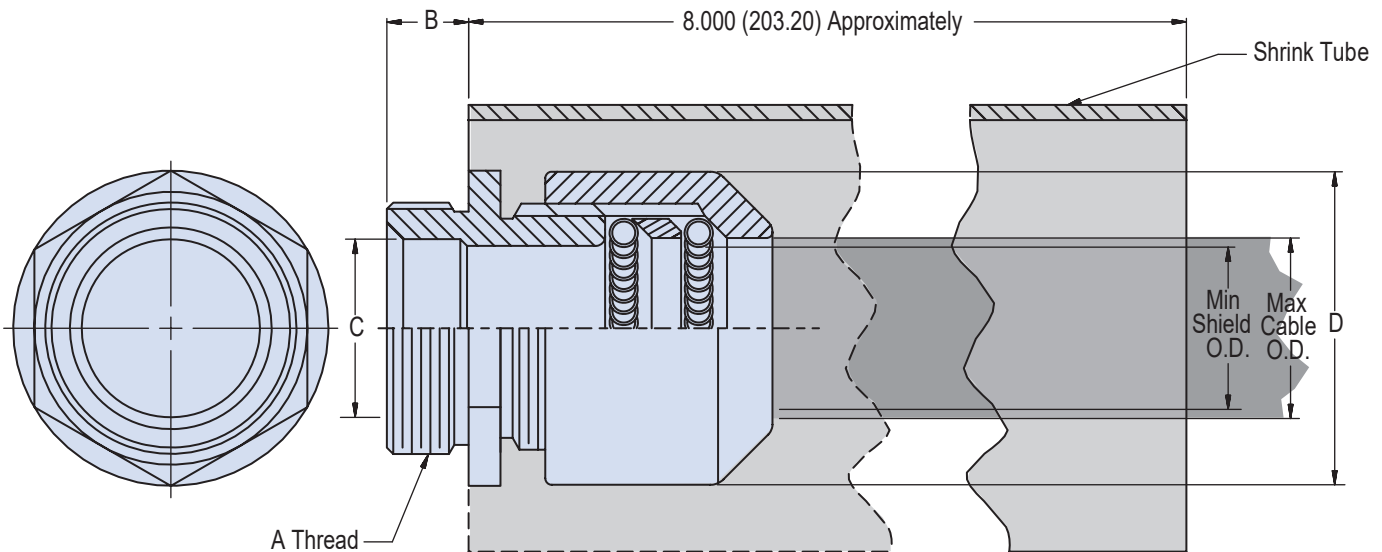
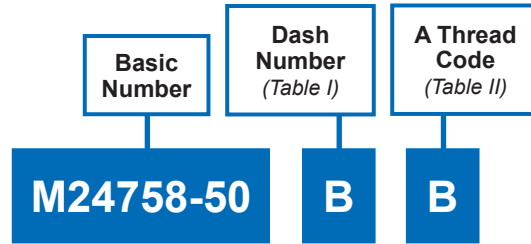


A



APPLICATION NOTES

1. Assembly identified with manufacturer's name, code I.D. number, part number and classification code 490, space permitting.
2. Glenair 600 Series Backshell Assembly Tools are recommended for assembly and installation.
3. Material / Finish:
Adapter - 316L SST/Electroless nickel, matte finish.
Ferrule, grounding spring - CRES/Passivate.
Tubing - Heat shrinkable, flame retardant with adhesive.
4. Metric dimensions (mm) are indicated in parentheses.

MIL-PRF-24758-50 Cable Shield Grounding Adapter



MIL-PRF
24758A

A

TABLE I: DASH NUMBER AND DIMENSIONS

DASH NO.	MAX CABLE O.D.	MIN SHIELD O.D.	D MAX	SHRINK TUBE NO.
A(SM)	.250 (6.35)	.125 (3.18)	1.120 (28.45)	HRSR 125
A	.406 (10.31)	.200 (5.08)	1.120 (28.45)	
B	.515 (13.08)	.260 (6.60)	1.120 (28.45)	
C	.640 (16.26)	.400 (10.16)	1.320 (33.53)	HRSR 175
D	.750 (19.05)	.400 (10.16)	1.630 (41.40)	
E	.812 (20.62)	.430 (10.92)	1.630 (41.40)	
F	.843 (21.41)	.470 (11.94)	1.750 (44.45)	HRSR 200
G	.953 (24.21)	.580 (14.73)	1.880 (47.75)	
J	1.062 (26.55)	.690 (17.53)	1.880 (47.75)	
K	1.172 (29.77)	.800 (20.32)	2.060 (52.32)	HRSR 250
L	1.265 (32.13)	.890 (22.61)	2.180 (55.37)	
M	1.406 (35.71)	1.010 (25.65)	2.320 (58.93)	
N	1.515 (38.48)	1.130 (28.70)	2.380 (60.45)	
P	1.625 (41.28)	1.200 (30.48)	2.440 (61.98)	
R	1.750 (44.45)	1.250 (31.75)	2.750 (69.85)	HRSR 300
S	1.875 (47.63)	1.380 (35.05)	2.880 (73.15)	
T	2.062 (52.37)	1.560 (39.62)	3.130 (79.50)	HRSR 400
V	2.187 (55.55)	1.690 (42.93)	3.250 (82.55)	

TABLE II: THREAD CODE & DIMENSIONS

A THREAD CODE	A THREAD CLASS - 2A	B +.030 (0.76) - .000	C DIA MIN
A	.438 - 28 UNEF	.210 (5.33)	.245 (6.22)
B	.688 - 24 UNEF	.250 (6.35)	.495 (12.57)
C	.938 - 20 UNEF	.310 (7.87)	.745 (18.92)
D	1.250 - 18 UNEF	.370 (9.40)	.995 (25.27)
E	1.563 - 18 UNEF	.370 (9.40)	1.245 (31.62)
F	1.875 - 16 UN	.430 (10.92)	1.495 (37.97)
G	2.375 - 16 UN	.430 (10.92)	1.995 (50.67)
H	2.875 - 16 UN	.430 (10.92)	1.495 (37.97)
J	.563 - 24 UNEF	.250 (6.35)	.370 (9.40)
K	.813 - 20 UNEF	.310 (7.87)	.620 (15.75)
L	3.375 - 16 UN	.430 (10.92)	2.995 (76.07)