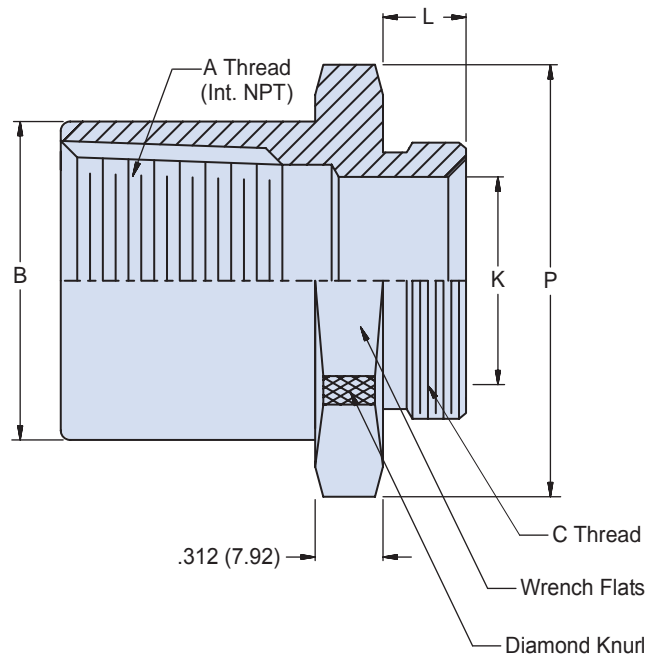
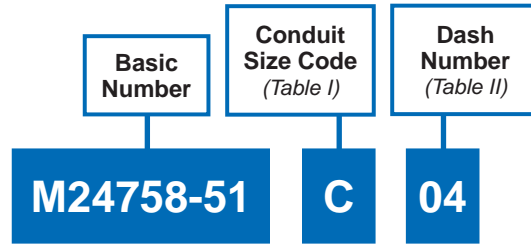


MIL-PRF-24758-51 Adapter for Tapered Pipe Thread

A



APPLICATION NOTES

1. Assembly identified with manufacturer's name, code I.D. number, part number and classification code 490, space permitting.
2. The M24758-51 adapter couples any fitting having a male tapered pipe thread to M24758-2, M24758-3 or m24758-4 fittings.
3. Material / Finish:
Adapter - 316L SST/Electroless nickel, matte finish.
4. Metric dimensions (mm) are indicated in parentheses.

MIL-PRF-24758-51 Adapter for Tapered Pipe Thread



MIL-PRF
24758A

A

TABLE I: CONDUIT SIZE CODE AND DIMENSIONS

CONDUIT SIZE CODE	C THREAD CLASS 2A	L +.030 (0.76) - .000	K DIA MIN	MAX ENTRY DASH NUMBER
A	.438 - 28 UNEF	.210 (5.33)	.245 (6.22)	01
B	.688 - 24 UNEF	.250 (6.35)	.495 (12.57)	03
C	.938 - 20 UNEF	.310 (7.87)	.745 (18.92)	04
D	1.250 - 18 UNEF	.370 (9.40)	.995 (25.27)	05
E	1.563 - 18 UNEF	.370 (9.40)	1.245 (31.62)	06
F	1.875 - 16 UN	.430 (10.92)	1.495 (37.97)	07
G	2.375 - 16 UN	.430 (10.92)	1.995 (50.67)	08
H	2.875 - 16 UN	.430 (10.92)	1.495 (37.97)	09
J	.563 - 24 UNEF	.250 (6.35)	.370 (9.40)	02
K	.813 - 20 UNEF	.310 (7.87)	.620 (15.75)	03
L	3.375 - 16 UN	.430 (10.92)	2.995 (76.07)	10

TABLE II: DASH NUMBER & DIMENSIONS

DASH NUMBER	A EXTERNAL TAPER PIPE THREAD	B DIA	P DIA MAX
01	.250-18 NPT	.625 (15.88)	.860 (21.84)
02	.375-18 NPT	.812 (20.62)	1.000 (25.40)
03	.500-14 NPT	1.000 (25.40)	1.250 (31.75)
04	.750-14 NPT	1.188 (30.18)	1.370 (34.80)
05	1.000-11.5 NPT	1.500 (38.10)	1.730 (43.94)
06	1.250-11.5 NPT	1.812 (46.02)	2.160 (54.86)
07	1.500-11.5 NPT	2.125 (53.98)	2.450 (62.23)
08	2.000-11.5 NPT	2.500 (63.50)	3.030 (76.96)
09	2.500-8 NPT	3.125 (79.38)	3.610 (91.69)
10	3.000-8 NPT	3.750 (95.25)	4.330 (109.98)