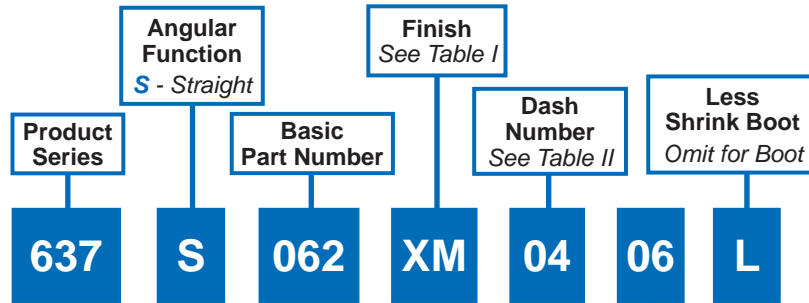


637-062 Composite Shrink Boot Feed-Through Adapter Jam Nut Mount Environmental



APPLICATION NOTES

1. Consult factory for shrink boot to be supplied with product.
2. Metric dimensions (mm) are indicated in parentheses.

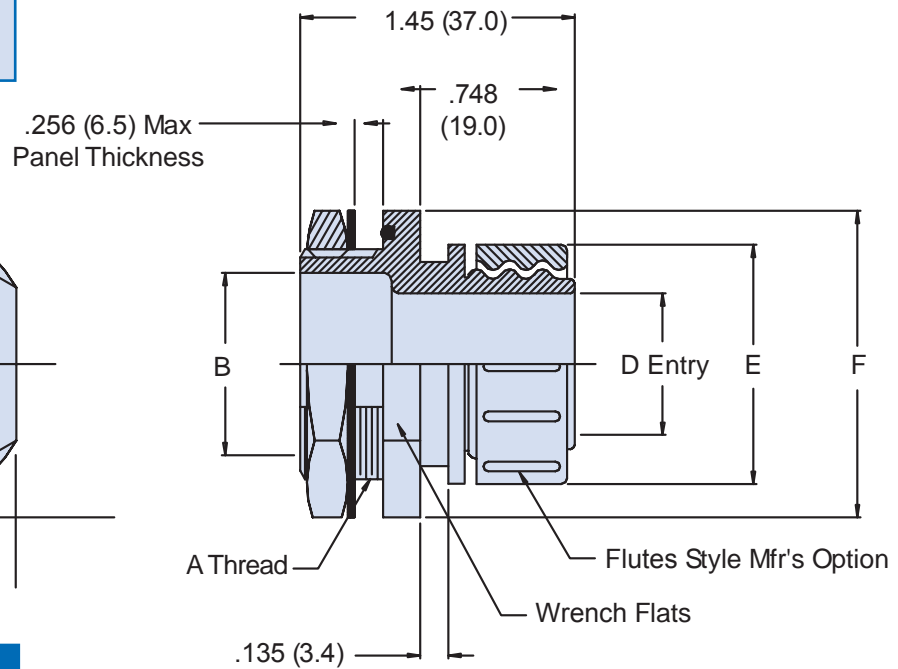
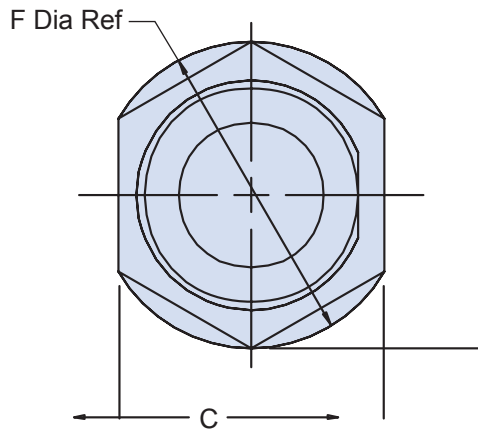


TABLE I: Finish

XM	Electroless Nickel
XW	Cadmium Olive Drab Over Electroless Nickel

TABLE II: Dash Number, Max Entry

Dash No.	A Thread ISO Metric	B Dia Min	C Max	F Dia	Max Entry Table III
01	M 16 x 1.5-6g	.394 (10.0)	.98 (24.9)	1.10 (27.9)	03
02	M 20 x 1.5-6g	.551 (14.0)	1.18 (30.0)	1.31 (33.3)	04
03	M 27 x 2.0-6g	.866 (22.0)	1.50 (38.1)	1.63 (41.4)	07
04	M36 x 2.0-6g	1.181 (30.0)	1.97 (54.1)	2.13 (54.1)	08

TABLE III: Dash Number

Dash No.	D		E Max
	+03	(.8)	
	-00	(.0)	
01	.125	(3.2)	.531 (13.5)
02	.250	(6.4)	.656 (16.7)
03	.375	(9.5)	.781 (19.8)
04	.500	(12.7)	.906 (23.0)
05	.625	(15.9)	1.031 (26.2)
06	.750	(19.1)	1.156 (29.4)
07	.875	(22.2)	1.281 (32.5)
08	1.000	(25.4)	1.406 (35.7)

