

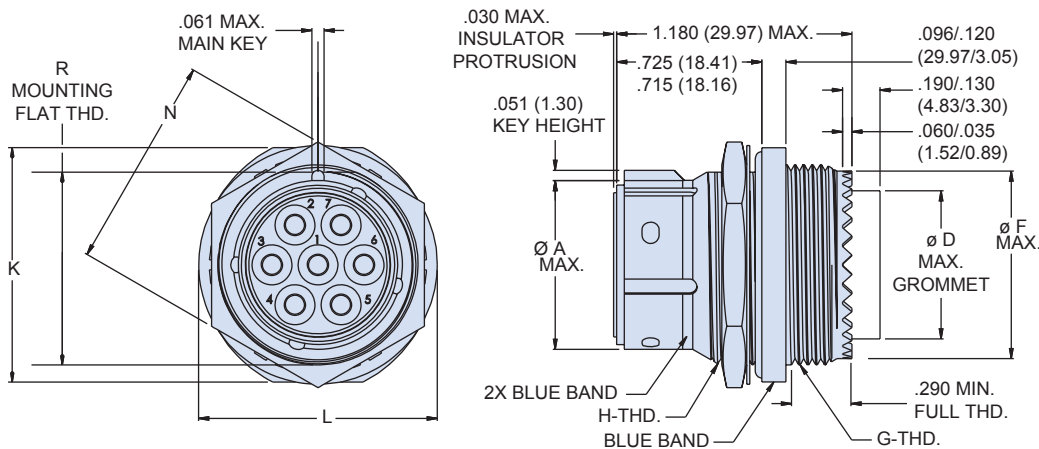
# AS81703 SERIES 3 TYPE CONNECTORS

## Jam nut receptacle

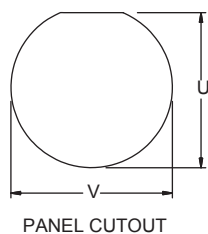
253-020-07



How To Order						
Sample Part Number	253-020	-	09	ME	19-7	P N
Basic Part Number	AS81703 Series 3 type connector					
Rear Option	-- = Accessory threads B = Band porch (consult factory)					
Connector Style	07 = Jam nut receptacle AS34461 type (MS3446)					
Material / Finish	C = Al Alloy/Black Anodize ME = Al Alloy/Electroless Nickel MT = Al Alloy/Nickel-PTFE NF = Al Alloy/Cad O.D. Over Electroless Nickel ZR = Al Alloy/Zinc-Nickel Black					
Shell Size / Insert Arrangement	See Table II pg. 2, diagrams on pgs. 4-5					
Contact Styles	P = Pin insert S = Socket insert A = Pin insert less contacts B = Socket insert less contacts					
Insert Clocking Positions	N, W, X, Y, B, C (See Table III pg. 2)					



-07 Jam Nut Receptacle Dimensions									
Shell Size	Ø A	Ø D Max.	Ø F Max.	G Thd.	H Thd.	K	L	R	N Mounting Nut
3	.441 (11.20)	.351 (8.92)	.509 (12.93)	5/16-24 UNEF-2A	5/16-24 UNEF-2A	.765 (19.43)	.765 (19.43)	.523 (13.28)	.625 (15.88)
	.431 (10.95)								
7	.576 (14.63)	.531 (13.49)	.687 (17.45)	3/4-20 UNEF-2A	1 1/16-24 UNEF-2A	.890 (22.61)	.890 (22.61)	.655 (16.64)	.812 (20.62)
	.566 (14.38)								
12	.710 (18.03)	.665 (16.89)	.812 (20.62)	7/8-20 UNEF-2A	1 3/16-20 UNEF-2A	1.077 (27.36)	1.077 (27.36)	.778 (19.76)	.937 (23.80)
	.700 (17.78)								
19	.849 (21.56)	.790 (20.07)	.937 (23.80)	1-20 UNEF-2A	1-20 UNEF-2A	1.171 (29.74)	1.202 (30.53)	.963 (24.46)	1.062 (26.97)
	.839 (21.31)								
27	1.004 (25.50)	.869 (22.07)	.992 (25.20)	1 1/16-18 UNEF-2A	1 1/8-18 UNEF-2A	1.327 (33.71)	1.327 (33.71)	1.089 (27.66)	1.250 (31.75)
	.994 (25.25)								
37	1.126 (28.60)	.994 (25.25)	1.117 (28.37)	1 3/16-18 UNEF-2A	1 1/4-18 UNEF-2A	1.450 (36.83)	1.515 (38.48)	1.214 (30.84)	1.375 (34.92)
	1.116 (28.35)								
61	1.414 (35.92)	1.280 (32.51)	1.427 (36.25)	1 1/2-18 UNEF-2A	1 1/2-18 UNEF-2A	1.864 (47.35)	1.890 (48.01)	1.463 (37.16)	1.688 ±.015
	1.404 (35.66)								



Panel Cutout					
Shell Size	U	V	Shell Size	U	V
3	.538 (13.67)	.577 (14.66)	19	.973 (24.71)	1.013 (25.73)
	.534 (13.56)	.567 (14.40)		.969 (24.61)	1.003 (25.48)
7	.665 (16.89)	.701 (17.81)	27	1.099 (27.91)	1.138 (28.91)
	.661 (16.79)	.961 (24.41)		1.095 (27.81)	1.128 (28.65)
12	.788 (20.02)	.826 (20.98)	37	1.224 (31.09)	1.263 (32.08)
	.784 (19.91)	.816 (20.73)		1.220 (30.99)	1.253 (31.83)
61	1.471 (37.36)	1.514 (38.46)	61	1.471 (37.36)	1.514 (38.46)
	1.467 (37.26)	1.504 (38.20)		1.467 (37.26)	1.504 (38.20)