

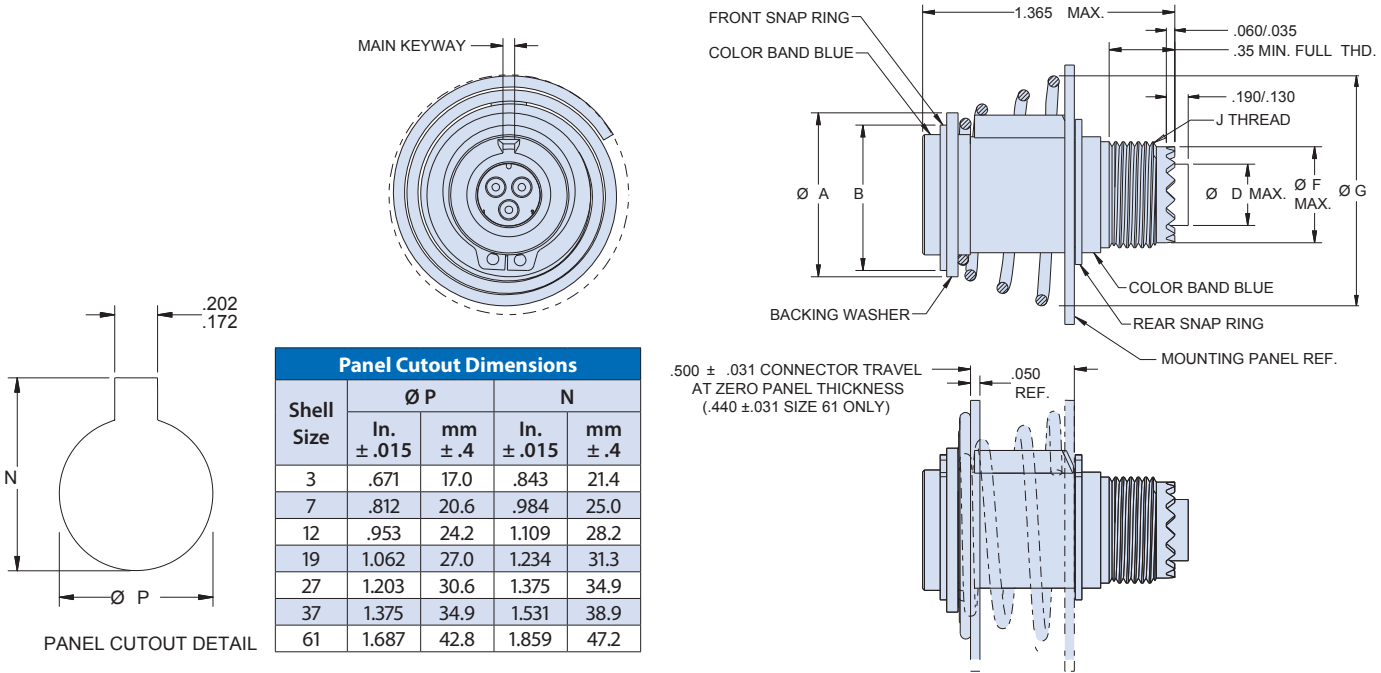
# AS81703 SERIES 3 TYPE CONNECTORS

## Rack-and-panel plug

### 253-020-09



| How To Order                    |  |  |  |   |    |    |      |   |   |
|---------------------------------|--|--|--|---|----|----|------|---|---|
| Sample Part Number              | 253-020  |  |  | - | 09 | ME | 19-7 | P | N |
| Basic Part Number               | AS81703 Series 3 type connector  |  |  |   |    |    |      |   |   |
| Rear Option                     | - = Accessory threads    B = Band porch (consult factory)  |  |  |   |    |    |      |   |   |
| Connector Style                 | 09 = Rack & panel plug                      AS34461 type (MS3446)  |  |  |   |    |    |      |   |   |
| Material / Finish               | C = Al Alloy/Black Anodize    ME = Al Alloy/Electroless Nickel    MT = Al Alloy/Nickel-PTFE<br>NF = Al Alloy/Cad O.D. Over Electroless Nickel    ZR = Al Alloy/Zinc-Nickel Black |  |  |   |    |    |      |   |   |
| Shell Size / Insert Arrangement | See Table II pg. 2, diagrams on pgs. 4-5   |  |  |   |    |    |      |   |   |
| Contact Styles                  | P = Pin insert    S = Socket insert    A = Pin insert less contacts    B = Socket insert less contacts   |  |  |   |    |    |      |   |   |
| Insert Clocking Positions       | N, W, X, Y, B, C (See Table III pg. 2)   |  |  |   |    |    |      |   |   |



D

| -09 Rack-and-Panel Plug Dimensions |                |              |          |      |          |      |          |      |          |      |                   |                                    |
|------------------------------------|----------------|--------------|----------|------|----------|------|----------|------|----------|------|-------------------|------------------------------------|
| Shell Size                         | Ø A            |              | Ø B Max. |      | Ø D Max. |      | Ø F Max. |      | Ø G Max. |      | J Thd.            | Spring force when mated (lbs.-In.) |
|                                    | In.            | mm           | In.      | mm   | In.      | mm   | In.      | mm   | In.      | mm   |                   |                                    |
| 3                                  | .891<br>.869   | 22.6<br>22.1 | .800     | 20.3 | .351     | 8.9  | .509     | 12.9 | 1.225    | 31.1 | 5/16-24 UNEF-2A   | 16 – 20                            |
| 7                                  | 1.172<br>1.150 | 29.8<br>29.2 | .990     | 25.1 | .531     | 13.5 | .687     | 17.4 | 1.356    | 34.4 | 3/4-20 UNEF-2A    | 16 – 20                            |
| 12                                 | 1.263<br>1.241 | 32.1<br>31.5 | 1.190    | 30.2 | .665     | 16.9 | .812     | 20.6 | 1.575    | 40.0 | 7/8-20 UNEF-2A    | 30 – 35                            |
| 19                                 | 1.391<br>1.369 | 35.3<br>34.8 | 1.320    | 33.5 | .790     | 20.1 | .937     | 23.8 | 1.715    | 43.6 | 1-20 UNEF-2A      | 40 – 50                            |
| 27                                 | 1.529<br>1.507 | 38.8<br>38.3 | 1.475    | 37.5 | .869     | 22.1 | .992     | 25.2 | 1.860    | 47.2 | 1 1/16-18 UNEF-2A | 43 – 50                            |
| 37                                 | 1.816<br>1.794 | 46.1<br>45.6 | 1.655    | 42.0 | .994     | 25.2 | 1.117    | 28.4 | 2.120    | 53.8 | 1 3/16-18 UNEF-2A | 45 – 53                            |
| 61                                 | 2.150<br>2.118 | 54.6<br>53.8 | 2.025    | 51.4 | 1.280    | 32.5 | 1.427    | 36.2 | 2.850    | 72.4 | 1 1/2-18 UNEF-2A  | 75 – 80                            |