

BACKSHELLS AND ACCESSORIES
FOR AS81703 SERIES 3 TYPE CONNECTORS
Straight Crimp Ring Backshell and Crimp Ring



AS85049/26-1 and MS3419

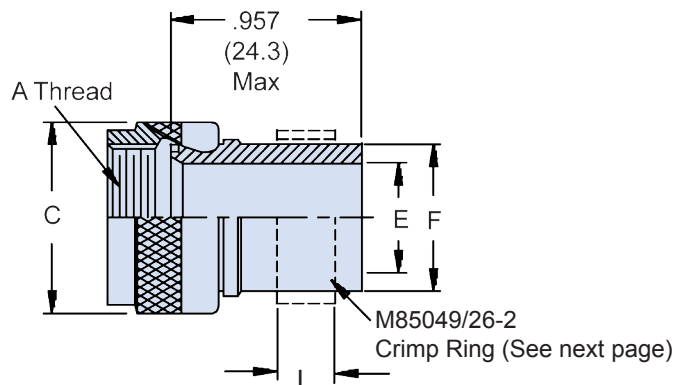
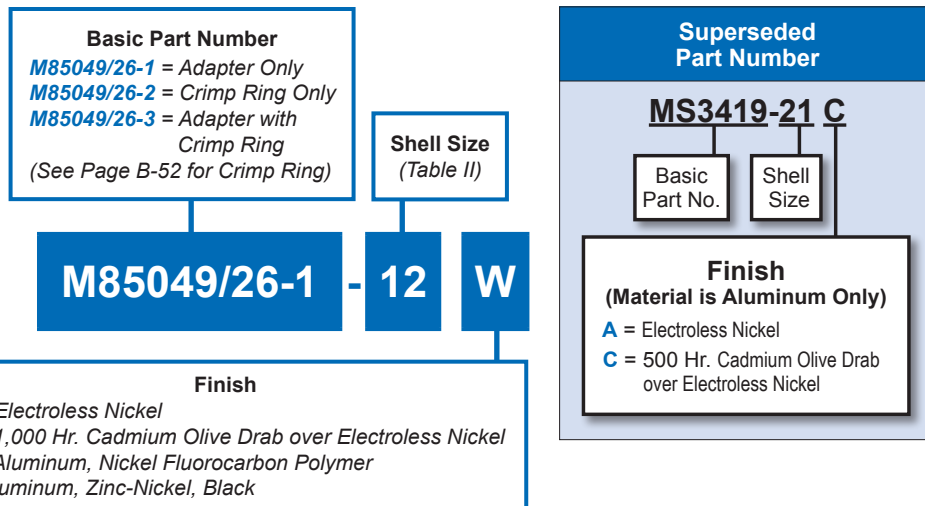


TABLE I: Adapter Shell Size, Thread, and Dimensions

| Dash No. | Shell Size | A Thread Class 2B | C Dia Max | E Dia | F Dia |
|----------|------------|-------------------|--------------|--------------|--------------|
| 3 | 3 | .562 - 24 UNEF | .670 (17.0) | .250 (6.4) | .337 (8.6) |
| 12 | 7 | .750 - 20 UNEF | .860 (21.8) | .420 (10.7) | .500 (12.7) |
| 14 | 12 | .875 - 20 UNEF | .980 (24.9) | .540 (13.7) | .620 (15.7) |
| 16 | 19 | 1.000 - 20 UNEF | 1.110 (28.2) | .670 (17.0) | .750 (19.1) |
| 18 | 27 | 1.062 - 18 UNEF | 1.220 (31.0) | .789 (20.0) | .880 (22.4) |
| 20 | 37 | 1.188 - 18 UNEF | 1.350 (34.3) | .914 (23.2) | 1.000 (25.4) |
| 61 | 61 | 1.500 - 18 UNEF | 1.650 (41.9) | 1.210 (30.7) | 1.359 (34.5) |

NOTES

1. For complete dimensions see the applicable Military Specification.
2. Metric dimensions (mm) are in parentheses.

