

BACKSHELLS AND ACCESSORIES FOR AS81703 SERIES 3 TYPE CONNECTORS

90° Strain Relief

AS85049/51

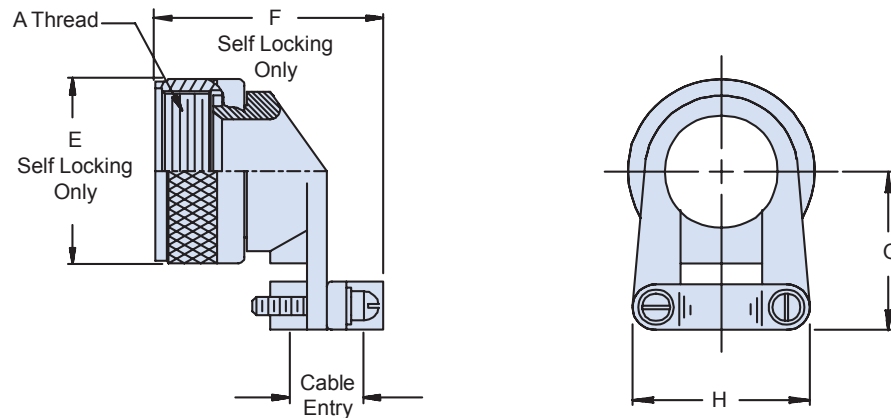
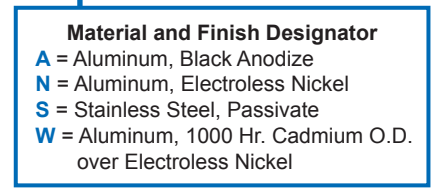
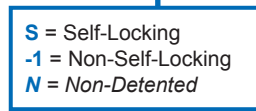
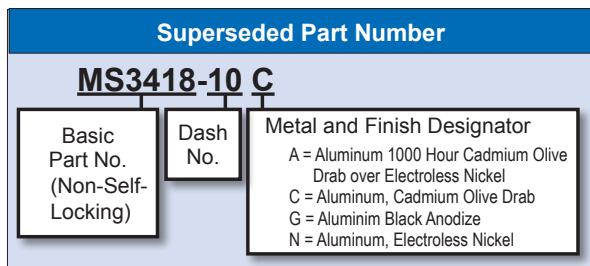
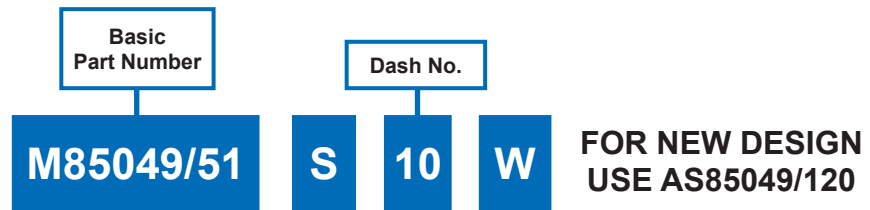


TABLE I: Shell Size, Cable Entry and Backshell Dimensions

Dash No.	Shell Size	A Thread Class 2B	Ø E Max Self-Locking		F Max Self-Locking		G		H Max		Cable Entry			
							±.062	(1.6)			Min	Max		
3*	3	.562 - 24 UNEF	-	-	-	-	.777	(19.7)	.782	(19.9)	.125	(3.2)	.204	(5.2)
12	7	.750 - 20 UNEF	1.135	(28.8)	1.532	(38.9)	.867	(22.0)	.968	(24.6)	.291	(7.4)	.416	(10.6)
14	12	.875 - 20 UNEF	1.260	(32.0)	1.592	(40.4)	.930	(23.6)	1.003	(25.5)	.351	(8.9)	.476	(12.1)
16	19	1.000 - 20 UNEF	1.385	(35.2)	1.741	(44.2)	.994	(25.2)	1.061	(26.9)	.501	(12.7)	.626	(15.9)
18	27	1.062 - 18 UNEF	1.510	(38.4)	1.853	(47.1)	1.171	(29.7)	1.394	(35.4)	.518	(13.2)	.706	(17.9)
20	37	1.188 - 18 UNEF	1.635	(41.5)	1.978	(50.2)	1.234	(31.2)	1.466	(37.2)	.581	(14.8)	.831	(21.1)
61*	61	1.500 - 18 UNEF	-	-	-	-	1.388	(35.3)	1.775	(45.1)	.706	(17.9)	1.081	(27.5)

* Not Available in Self Locking

NOTES

1. Cable Entry is defined as the accommodation entry for the wire bundle or cable.
2. Dimensions are not intended for inspection criteria.
3. For complete dimensions, see the applicable Military Specification.

