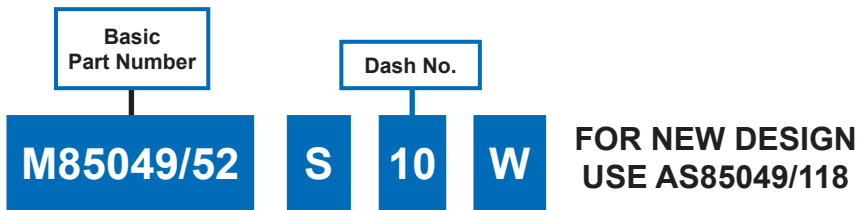


BACKSHELLS AND ACCESSORIES FOR AS81703 SERIES 3 TYPE CONNECTORS

Straight Strain Relief



AS85049/52



Superseded Part Number

MS3417-10 A

Basic Part No. (Non-Self-Locking) Dash No.

Metal and Finish Designator
 A = Aluminum 1000 Hour Cadmium Olive Drab over Electroless Nickel
 C = Aluminum, Cadmium Olive Drab
 G = Aluminum Black Anodize
 N = Aluminum, Electroless Nickel

S = Self-Locking
-1 = Non-Self-Locking
N = Non-Detented

Material and Finish Designator
A = Aluminum, Black Anodize
N = Aluminum, Electroless Nickel
S = Stainless Steel, Passivate
W = Aluminum, 1000 Hr. Cadmium O.D. over Electroless Nickel

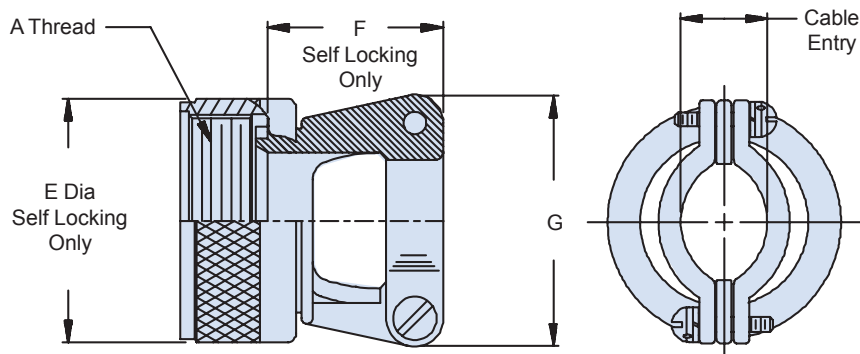


TABLE I: Shell Size, Cable Entry and Backshell Dimensions

Dash No.	Shell Size	A Thread Class 2B	Ø E Max		F Max		G Max		Cable Entry			
			Self-Locking		Self-Locking				Min	Max		
03*	3	.562 - 24 UNEF	-	-	-	-	.782	(19.9)	.125	(3.2)	.204	(5.2)
12	7	.750 - 20 UNEF	1.135	(28.8)	.98	(24.9)	1.003	(24.6)	.291	(7.4)	.416	(10.6)
14	12	.875 - 20 UNEF	1.260	(32.0)	.98	(24.9)	1.061	(25.5)	.351	(8.9)	.476	(12.1)
16	19	1.000 - 20 UNEF	1.385	(35.2)	1.10	(27.9)	1.234	(26.9)	.501	(12.7)	.626	(15.9)
18	27	1.062 - 18 UNEF	1.510	(38.4)	1.35	(34.3)	1.466	(35.4)	.518	(13.2)	.706	(17.9)
20	37	1.188 - 18 UNEF	1.635	(41.5)	1.98	(50.3)	1.572	(37.2)	.581	(14.8)	.831	(21.1)
61*	61	1.500 - 18 UNEF	-	-	-	-	1.775	(45.1)	.706	(17.9)	1.081	(27.5)

* Not Available in Self Locking

NOTES

1. Cable Entry is defined as the accommodation entry for the wire bundle or cable.
2. Dimensions are not intended for inspection criteria.
3. For complete dimensions, see the applicable Military Specification.