

BACKSHELLS AND ACCESSORIES
FOR AS81703 SERIES 3 TYPE CONNECTORS

Straight Shrink Boot Adapter

AS85049/60-2G

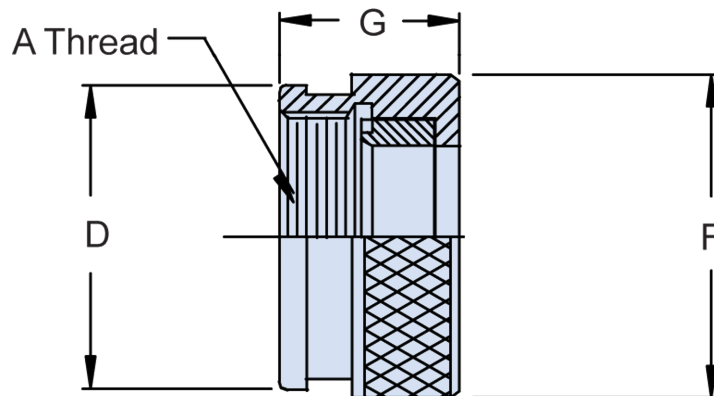
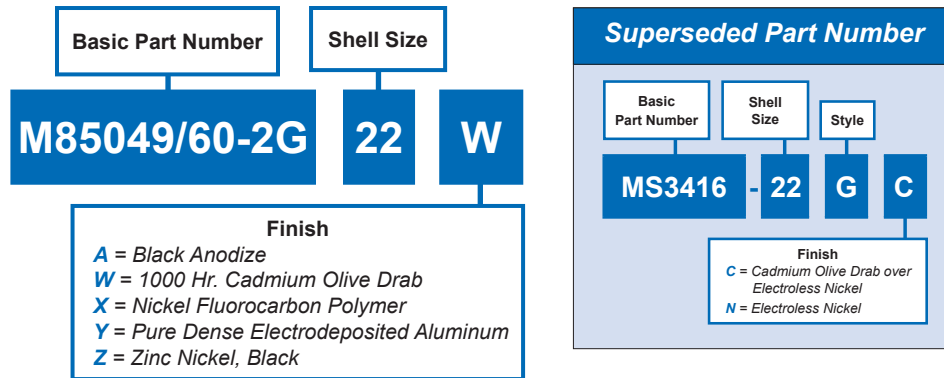


TABLE I: Shell Size, Thread and Dimensions

Dash No.	Shell Size	A Thread Class 2B	D Dia +.000 (0.0) -.020 (0.5)	F Dia +.000 (0.0) -.045 (1.1)	G Max
3	3	.562 - 24 UNEF	.709 (18.0)	.750 (19.1)	.540 (13.7)
12	7	.750 - 20 UNEF	.898 (22.8)	.938 (23.8)	.540 (13.7)
14	12	.875 - 20 UNEF	1.024 (26.0)	1.063 (27.0)	.540 (13.7)
16	19	1.000 - 20 UNEF	1.152 (29.3)	1.238 (31.4)	.540 (13.7)
18	27	1.062 - 18 UNEF	1.243 (31.6)	1.310 (33.3)	.540 (13.7)
20	37	1.188 - 18 UNEF	1.370 (34.8)	1.436 (36.5)	.540 (13.7)
61	61	1.500 - 18 UNEF	1.653 (42.0)	1.748 (44.4)	.540 (13.7)

NOTE

1. For complete dimensions see the applicable Military Specification.

