



Accessories and Tools



889-014 RPM & 889-015 FPM Rubber Dust Covers for Series 880 and 881 Receptacles



889-014 Rear Panel Mount Receptacle Cover

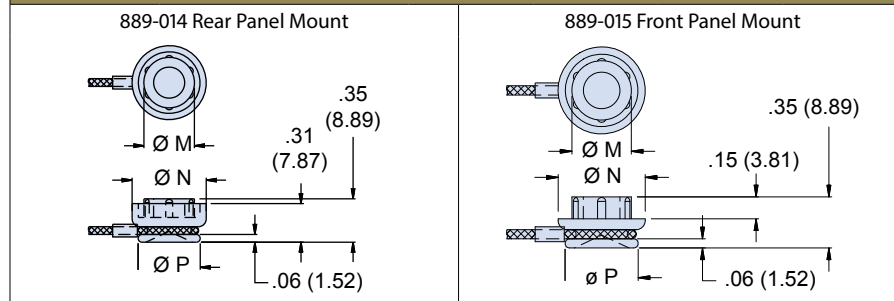


889-015 Front Panel Receptacle Cover

Rubber protective dust covers for front and rear panel mount Series 88 connectors protect connectors from debris ingress. Two attachment cords available: 1/16 nylon rope or 1/32 inch stainless steel wire rope. Attachment options include: **slip crimp sleeve** (SCS) for attaching to cable, **lug termination** (01-08) for attaching to panel with screw, **solid ring** (60-160) for installing under connector (rear panel mount only), **with strap** (WS) tie down looped through slip crimp sleeve, and **crimp ferrule** (CF) for field termination. Attachment rings are stainless steel with black oxide finish.

How To Order						
Sample Part Number	889-014	-F	G	4	-02	C
Series	889-014 Rubber Cover for RPM Receptacles 889-015 Rubber Cover for FPM Receptacles					
Cover Size	A thru L, See Dimensions Table					
Attachment Cord	Omit = No attachment G = Ø1/16 black nylon cord S = Ø1/32 black nylon coated SST wire rope					
Attachment Length	Length in inches, ±.25 inches					
Termination Type	See Attachment Termination Table for code					
Cover Material	Omit = Standard C = Conductive Neoprene blend (conductance = 100K ohms/sq. minimum) thru hole					

Dimensions



Dash no.	Ø M		Ø N		Ø P	
	in	mm	in	mm	in	mm
-A	0.16	4.06	0.34	8.64	0.25	6.35
-B	0.18	4.57	0.36	9.14	0.25	6.35
-C	0.20	5.08	0.38	9.65	0.28	7.11
-D	0.21	5.33	0.40	10.16	0.28	7.11
-E	0.24	6.10	0.42	10.67	0.31	7.87
-F	0.26	6.60	0.44	11.18	0.31	7.87
-G	0.28	7.11	0.46	11.68	0.38	9.65
-H	0.32	8.13	0.50	12.70	0.38	9.65
-J	0.35	8.89	0.54	13.72	0.44	11.18
-K	0.37	9.40	0.56	14.22	0.44	11.18
-L	0.41	10.41	0.60	15.24	0.50	12.70



889-014 Cover Fits All QDC and Threaded Rear Panel Mount Receptacles



889-015 Cover Fits All QDC and Threaded Front Panel Mount Receptacles

E



Accessories and Tools



889-014 RPM & 889-015 FPM Rubber Dust Covers for Series 880 and 881 Receptacles

Attachment Termination		
Termination Code	Description	Style
Ø 1/16 Nylon Cord Lanyard (Style "G") Attachment:		
-00	No Terminal	
-01 thru -08 See Table I	Lug Termination	
-SCS	Slip Crimp Sleeve ²	Provides "slip knot" adjustment may be crimped for permanent attachment
-WS	With Strap	
-60 Thru -160 See Table III	Solid Ring	
-CF	Crimp Ferrule ³	Supplied loose for field termination of lanyard
Ø 1/32 Stainless Steel Wire (Style "S") Attachment:		
-00	No Terminal Lug	
-11 thru -15 See Table II	Lug Termination	
-60 thru -160 See Table III	Solid Ring	
-CF	Crimp Ferrule ³	Supplied loose for field termination of lanyard

Table III: Solid Ring Attachment for SST Wire or Nylon Rope				
Dash No	Ø R ±.005		Ø T ±.005	
	In	mm	In	mm
-60	0.244	6.20	0.352	8.94
-65	0.264	6.71	0.372	9.45
-70	0.284	7.21	0.392	9.96
-75	0.304	7.72	0.412	10.46
-80	0.323	8.20	0.431	10.95
-85	0.343	8.71	0.451	11.46
-90	0.363	9.22	0.471	11.96
-95	0.382	9.70	0.490	12.45
-100	0.402	10.21	0.510	12.95
-105	0.422	10.72	0.530	13.46
-110	0.441	11.20	0.549	13.94
-115	0.461	11.71	0.569	14.45
-120	0.480	12.19	0.588	14.94
-125	0.500	12.70	0.608	15.44
-130	0.520	13.21	0.628	15.95
-135	0.540	13.72	0.648	16.46
-140	0.559	14.20	0.667	16.94
-145	0.579	14.71	0.687	17.45
-150	0.599	15.21	0.707	17.96
-155	0.619	15.72	0.727	18.47
-160	0.639	16.23	0.747	18.97

NOTES

- Attachment to withstand 25 lb pull test
- Slip/crimp sleeve (SCS) - for Type G nylon cord only provides "slip knot" adjustment, may be crimped for permanent attachment
- Crimp ferrule (CF) - for Type S wire rope and G nylon cord
Supplied loose for user termination

Table I: Lug Termination Attachment for Nylon Rope				
Dash No	Ø R ±.005		Ø T ±.005	
	In	mm	In	mm
-01	.098	2.49	.30	7.62
-02	.126	3.20	.30	7.62
-03	.140	3.56	.30	7.62
-04	.145	3.68	.30	7.62
-05	.156	3.96	.30	7.62
-06	.167	4.24	.30	7.62
-07	.188	4.78	.30	7.62
-08	.197	5.00	.30	7.62

Table II: Lug Termination Attachment for SST Wire Rope				
Dash No	Ø V ±.005		Ø W ±.005	
	In	mm	In	mm
-11	0.093	2.36	0.14	3.56
-12	0.119	3.02	0.20	5.08
-13	0.145	3.68	0.20	5.08
-14	0.167	4.24	0.25	6.35
-15	0.197	5.00	0.25	6.35