



# SuperFly<sup>®</sup> to AlphaLink<sup>™</sup> Flex Jumpers



## Recommended Connector Pairs

### SERIES 171

# AlphaLink<sup>®</sup> SL Flex Jumpers

The easiest and fastest way to incorporate flexible circuit cabling in your high-performance application

Glenair AlphaLink<sup>®</sup> SL I/O-to-board jumper assemblies are cataloged according to I/O connector type. Glenair currently offers six families of AlphaLink<sup>®</sup> jumpers for Series 801 and 804 Mighty Mouse, Series 79 Micro-Crimp, MIL-DTL-83513 Micro-D, Series 89 Nanominiature circular and rectangular, and our ultraminiature Series 88 SuperFly<sup>®</sup>. Flex-to-board solutions available in each family are designed to optimize weight and package size reduction as well as maintain electrical performance equivalent with I/O connector performance\*.



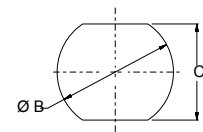
\* Contacts mapped 1-to-1 from I/O to B/L connector (unused B/L contacts not connected). For alternative wire schedules, please consult factory.

- Solderless connection allows fast yet rugged PC board mating
- Easy ordering of high-performance I/O connector-to-board flex jumpers
- Ideal for rapid prototyping
- Chemically etched, copper-clad polyimide flex circuits offer excellent temperature tolerance, dimensional stability, and reduced size and weight
- A high-availability, fast-turn catalog solution
- Designed for optimal electrical performance, including matched-impedance applications
- Superior electrical and mechanical performance compared to other cabling options

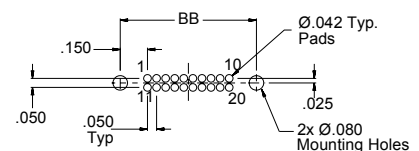
### 880-034 AND 881-021 DIMENSIONS

Shell Size	I/O Connector Dimensions					
	Ø A		Ø B		C Flats	
	In	mm	In	mm	In	mm
A	0.372	9.45	0.265	6.73	0.222	5.64
B	0.392	9.96	0.283	7.19	0.241	6.12
C	0.412	10.46	0.305	7.75	0.261	6.63
D	0.432	10.97	0.324	8.23	0.281	7.14
E	0.451	11.46	0.344	8.74	0.300	7.62
F	0.471	11.96	0.364	9.25	0.320	8.13
G	0.490	12.45	0.383	9.73	0.340	8.64
H	0.530	13.46	0.419	10.64	0.379	9.63
J	0.569	14.45	0.459	11.66	0.418	10.62
K	0.589	14.96	0.478	12.14	0.438	11.13
L	0.628	15.95	0.518	13.16	0.478	12.14

Layout	B/L Connector Dimensions			
	AA		BB	
	In	mm	In	mm
4	0.527	13.39	0.350	8.89
8	0.627	15.93	0.450	11.43
10	0.677	17.20	0.500	12.7
16	0.827	21.01	0.650	16.51
20	0.927	23.55	0.750	19.05
28	1.127	28.63	0.950	24.13
32	1.277	32.44	1.100	27.94
40	1.427	36.25	1.250	31.75



I/O Connector Recommended Cutout

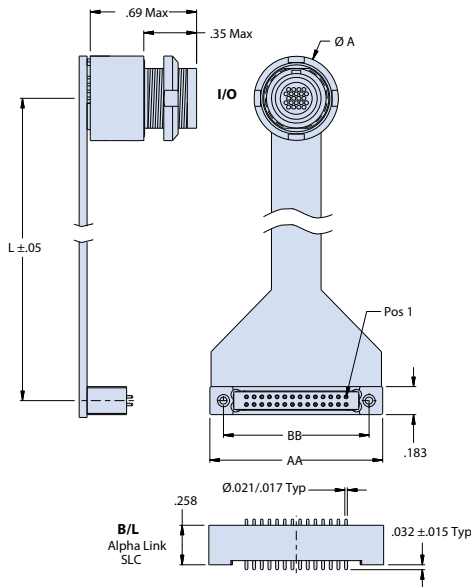


B/L Recommended PCB Layout

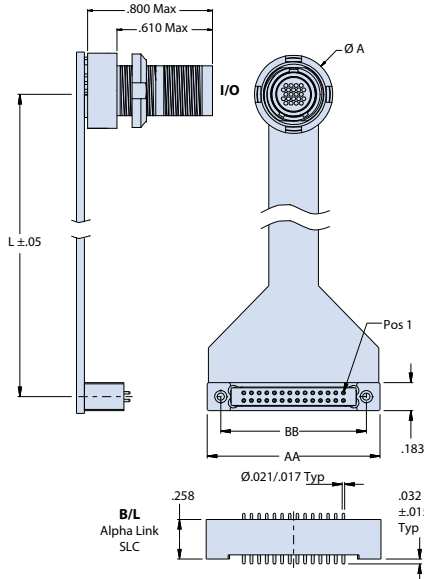


# SuperFly<sup>®</sup> to AlphaLink<sup>™</sup> Flex Jumpers

## Recommended Connector Pairs



How To Order 880-034								
Sample Part Number	880-034R	A	-B7N	-M	-2	T	-6	S
Series	880-034R = Series 88 SuperFly QDC I/O receptacle to Series 171 AlphaLink <sup>®</sup> SL							
I/O Insert Configuration	A = Unshrouded contacts (e.g. Nano socket) B = Shrouded contacts (e.g. Nano TwistPin)							
I/O Shell Size / Insert Arrangement. <sup>1</sup>	B7N, C10N, E19N, F22N, G31N, H37N, J44N See section A all insert arrangements avail.							
I/O Shell Material/Finish	See Table I							
AlphaLink <sup>®</sup> Finish	2 = Nickel 5 = Gold							
AlphaLink <sup>®</sup> Hardware Option	T = Threaded thru hole Omit for thru hole							
Assembly Length (L)	3 = 3.00 ± .05 In 6 = 6.00 ± .05 In 12 = 12.00 ± .05 In							
Optional Shielding	S = With shielding Omit for none							



How To Order 881-021R								
Sample Part Number	881-021R	A	-B7N	-M	-2	T	-6	S
Series	881-021R = Series 88 SuperFly QDC I/O receptacle to Series 171 AlphaLink <sup>®</sup> SL							
I/O Insert Configuration	A = Unshrouded contacts (e.g. Nano socket) B = Shrouded contacts (e.g. Nano TwistPin)							
I/O Shell Size / Insert Arrangement. <sup>1</sup>	B7N, C10N, E19N, F22N, G31N, H37N, J44N See section A all insert arrangements avail.							
I/O Shell Material/Finish	See Table I							
AlphaLink <sup>®</sup> Finish	2 = Nickel 5 = Gold							
AlphaLink <sup>®</sup> Hardware Option	T = Threaded thru hole Omit = for thru hole							
Assembly Length (L)	3 = 3.00 ± .05 In 6 = 6.00 ± .05 In 12 = 12.00 ± .05 In							
Optional Shielding	S = With shielding Omit for none							

### RECOMMENDED SUPERFLY I/O TO ALPHALINK INSERT ARRANGEMENTS

To optimize the 40-contact AlphaLink board level connector, 40 contacts of a 44-contact size SuperFly connector can be used.

B7N	C10N	E19N	F22N	G31N	H37N	J44N
8 Contacts	10 Contacts	20 Contacts	28 Contacts	32 Contacts	40 Contacts	