

## MIL-DTL-38999 Series III Type

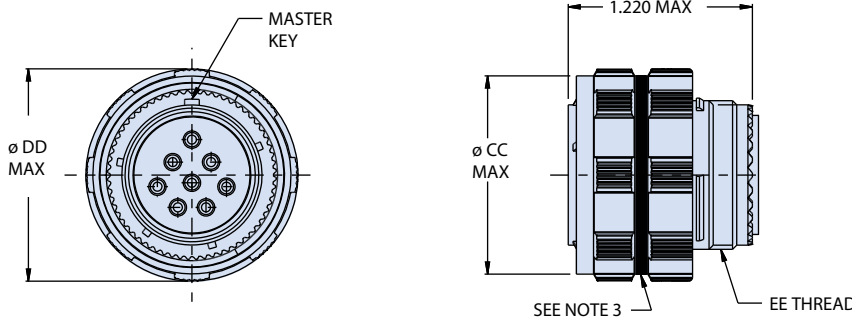
### 233-205 crimp-contact connectors with accessory threads

ENVIRONMENTAL CONNECTORS

Part Number Development									
Sample Part Number	233-205				-G6	MT	17-8	P	N
Series / Basic Part No.	233-205 = SuperNine crimp contact wire harness connectors								
Connector Style*	G6 = Plug, with EMI Spring 05 = Receptacle, In-Line 07 = Receptacle, Jam Nut 00 = Receptacle, Wall Mount with Slotted Holes HS = Receptacle, Wall Mount with Standard Helicoil HM = Receptacle, Wall Mount with Metric Helicoil CS = Receptacle, Wall Mount with Standard Clinch-Nuts CM = Receptacle, Wall Mount with Metric Clinch-Nuts								
Finish	NF = Aluminum alloy/Cadmium Olive Drab ME = Aluminum alloy/Electroless Nickel			MT = Aluminum alloy/Nickel PTFE ZR = Aluminum alloy/Black Zinc Nickel					
Shell Size-Insert Arrangement*	Per MIL-STD-1560								
Contact Type	A = Pin insert, less contacts P = Pin, high durability 1500 cycles H = Pin, palladium nickel			B = Socket insert, less contacts S = Socket, high durability 1500 cycles J = Socket, palladium nickel					
Alternate Polarization*	A, B, C, D, E, N = Normal (IAW MIL-DTL-38999 Series III)								

\*Refer to Section A for complete details

### G6 - PLUG WITH ACCESSORY THREADS



#### NOTES

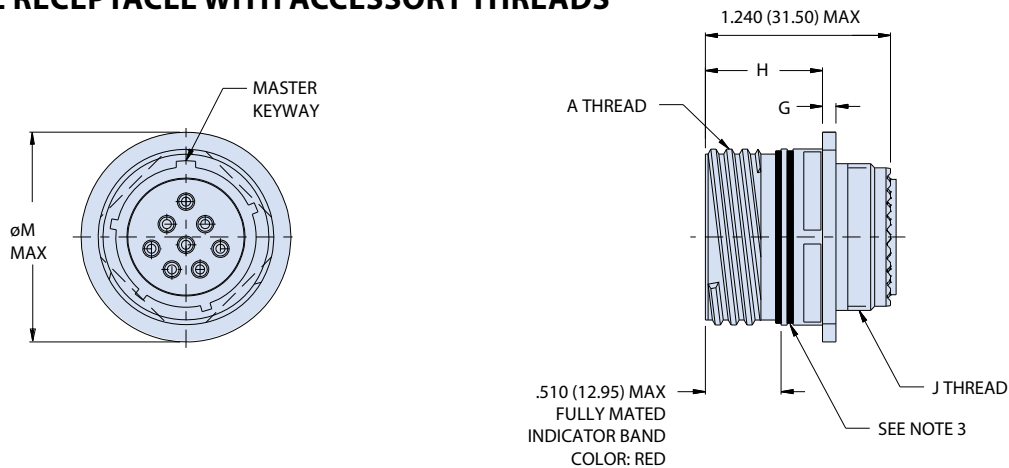
- 233-205 is designed to meet or exceed the mechanical, electrical, environmental and dimensional requirements of D38999/20, /24 & /26. Except as shown and/or noted.
- Insert arrangements IAW MIL-STD-1560, plus Glenair HD shielded contact specials.
- Blue color band indicates rear release retention system.
- Connector is supplied with contacts (including spares), insertion/removal tool and sealing plugs.
- Dimensions in inches (millimeters) are subject to change without notice.
- Consult factory for additional information.
- Front panel mount only
- Material/finish:
  - Shell, barrel, coupling nut jam nut - see part number development
  - ratchet ring, detent spring: stainless steel/passivated
  - grounding spring: BeCu alloy/electroless nickel
  - insulator: high grade rigid dielectric/ n.a.
  - Seals, grommet: fluorosilicone blend/ N/A.
  - Contacts: copper alloy/see part number development

Plug Dimensions				
Shell Size Code	Shell Size	øCC Max	øDD <sup>7</sup> Max	EE Thread
A	09	.811 (20.60)	.858 (21.79)	M12 X 1.0-6g 0.100R
B	11	.929 (23.60)	.984 (24.99)	M15 X 1.0-6g 0.100R
C	13	1.110 (28.19)	1.157 (29.39)	M18 X 1.0-6g 0.100R
D	15	1.232 (31.29)	1.280 (32.51)	M22 X 1.0-6g 0.100R
E	17	1.358 (34.49)	1.406 (35.71)	M25 X 1.0-6g 0.100R
F	19	1.469 (37.31)	1.516 (38.51)	M28 X 1.0-6g 0.100R
G	21	1.594 (40.49)	1.642 (41.71)	M31 X 1.0-6g 0.100R
H	23	1.720 (43.69)	1.768 (44.91)	M34 X 1.0-6g 0.100R
J	25	1.843 (46.81)	1.890 (48.01)	M37 X 1.0-6g 0.100R

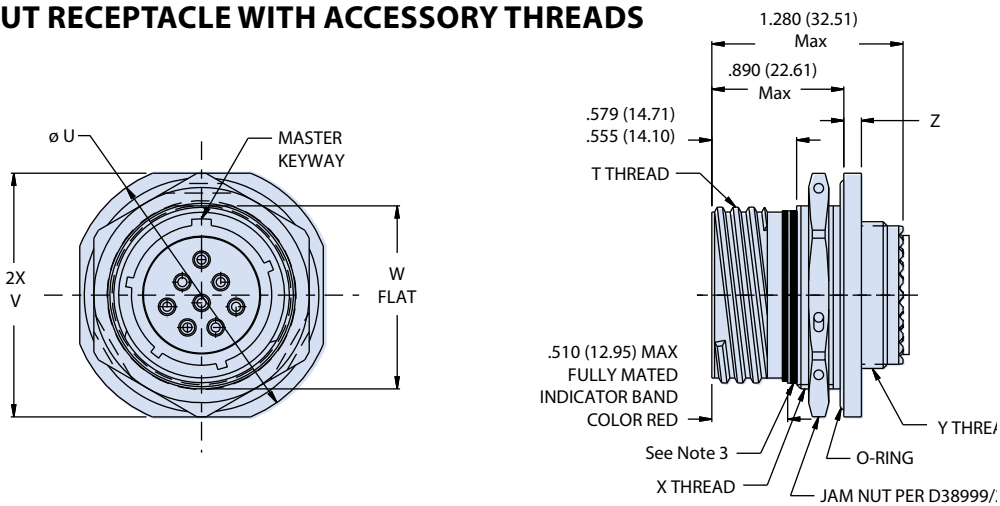
## MIL-DTL-38999 Series III Type

### 233-205 Crimp-contact connectors with accessory threads

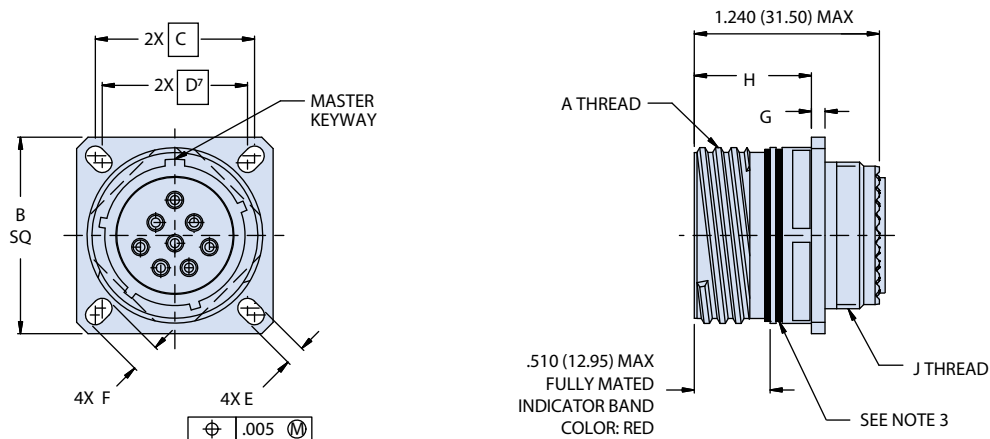
#### 05 - IN-LINE RECEPTACLE WITH ACCESSORY THREADS



#### 07 - JAM NUT RECEPTACLE WITH ACCESSORY THREADS



#### 00 - WALL MOUNT RECEPTACLE WITH ACCESSORY THREADS AND SLOTTED HOLES

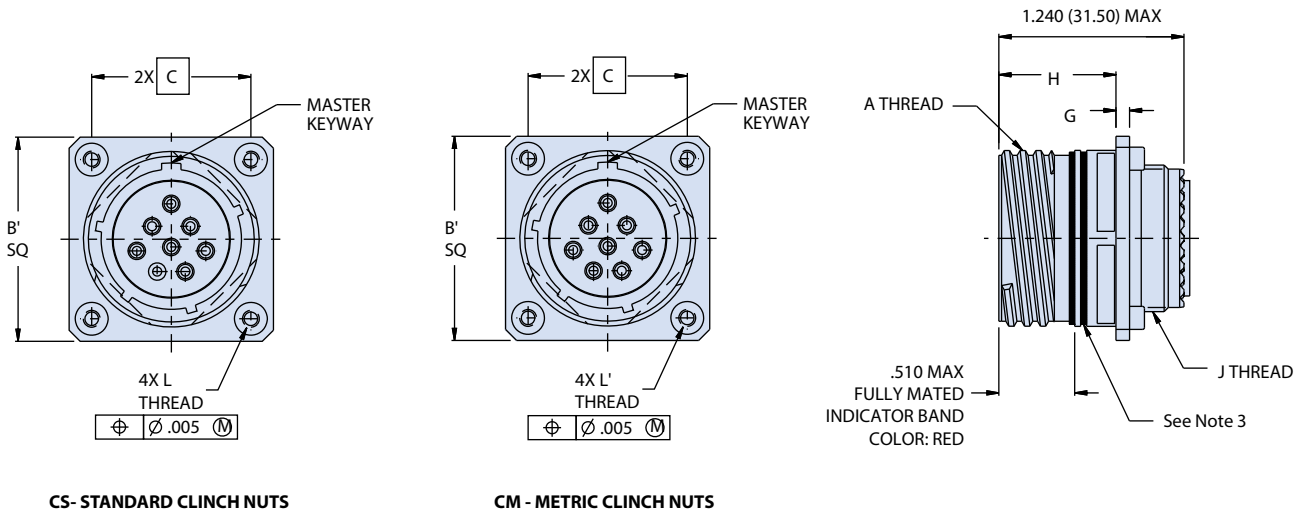


**MIL-DTL-38999 Series III Type**

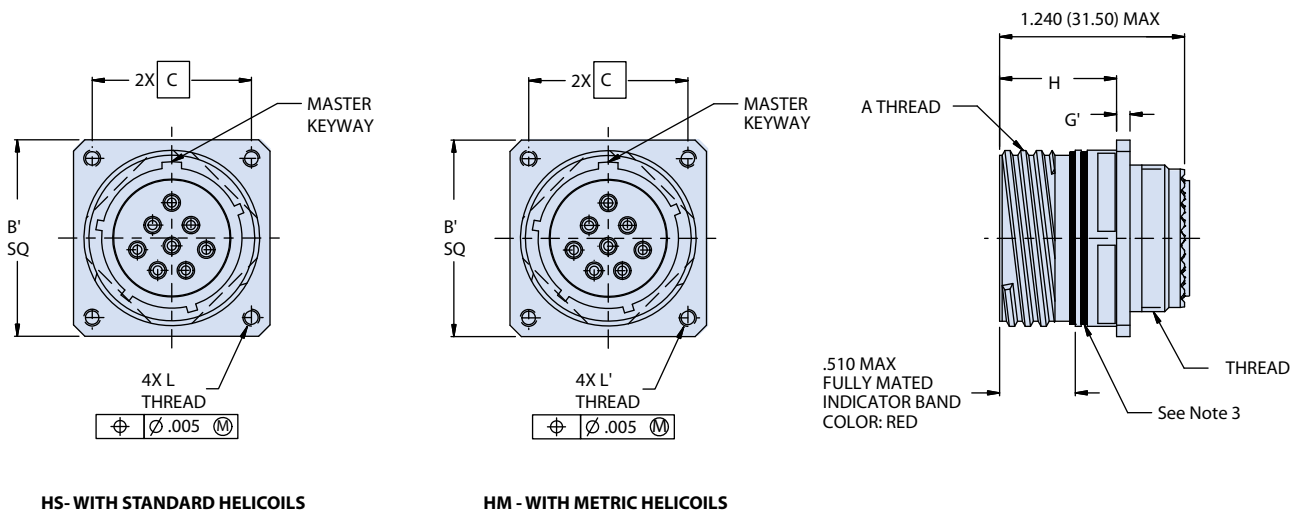
**233-205 Crimp-contact connectors with accessory threads**

ENVIRONMENTAL CONNECTORS

**CS AND CM - WALL MOUNT RECEPTACLE WITH METRIC OR STANDARD CLINCH NUTS**



**HS AND HM - WALL MOUNT RECEPTACLE WITH METRIC OR STANDARD HELICOILS**



**MIL-DTL-38999 Series III Type**

**233-205 crimp-contact connectors with accessory threads**

ENVIRONMENTAL CONNECTORS

Wall Mount and In-line Dimensions																					
Shell Size Code	Shell Size	A Thread -.1P-.3L- TS-2A	B Sq	B'	C Bsc	D Bsc*	E	F	G	G'	H	J Thread	L Thread	L' Thread	ØM Max						
A	9	.6250	.949 (24.10) .925 (23.50)	1.094 (27.79) 1.054 (26.77)	.719 (18.26)	.594 (15.09)	.136 (3.45) .120 (3.05)	.224 (5.69) .208 (5.28)	.098 (2.49) .083 (2.11)	.179 (4.55) .140 (3.56)	.820 (20.83) .771 (19.58)	M12 X 1.0-6g 0.100R	.112-40 UNC	M3X 0.5	.858 (21.79)						
B	11	.7500	1.043 (26.49) 1.019 (25.88)	1.187 (30.15) 1.147 (29.13)	.812 (20.62)	.719 (18.26)		.202 (5.13)				M15 X 1.0-6g 0.100R			.984 (24.99)						
C	13	.8750	1.138 (28.91) 1.114 (28.30)	1.281 (32.54) 1.241 (31.52)	.906 (23.01)	.812 (20.62)		.186 (4.72)				M18 X 1.0-6g 0.100R			1.157 (29.39)						
D	15	1.0000	1.232 (31.29) 1.208 (30.68)	1.344 (34.14) 1.304 (33.12)	.969 (24.61)	.906 (23.01)		.181 (4.60) .165 (4.19)				M22 X 1.0-6g 0.100R			1.280 (32.51)						
E	17	1.1875	1.323 (33.60) 1.299 (32.99)	1.437 (36.50) 1.397 (35.48)	1.062 (26.97)	.969 (24.61)		.202 (5.13) .186 (4.72)				M25 X 1.0-6g 0.100R			1.406 (35.71)						
F	19	1.2500	1.449 (36.80) 1.425 (36.20)	1.531 (38.89) 1.491 (37.87)	1.156 (29.36)	1.062 (26.97)						M28 X 1.0-6g 0.100R			1.516 (38.51)						
G	21	1.3750	1.575 (40.00) 1.551 (39.40)	1.625 (41.28) 1.585 (40.26)	1.250 (31.75)	1.156 (29.36)						M31 X 1.0-6g 0.100R			1.642 (41.71)						
H	23	1.5000	1.701 (43.21) 1.677 (42.60)	1.750 (44.45) 1.710 (43.43)	1.375 (34.92)	1.250 (31.75)		.162 (4.11)				.250 (6.35) .083 (2.11)			.190 (4.83) .170 (4.32)	.790 (20.07) .741 (18.82)	M34 X 1.0-6g 0.100R	.138-32 UNC	M4X0.7	1.768 (44.91)	
J	25	1.6250	1.823 (46.30) 1.799 (45.69)	1.875 (47.63) 1.835 (46.61)	1.500 (38.10)	1.375 (34.92)		.146 (3.71)				.234 (5.94)						M37 X 1.0-6g 0.100R			1.890 (48.01)

\* Front panel mount only

Jam Nut Dimensions								
Shell Size Code	Shell Size	T Thread	Ø U	V	W Flat	X Thread	Y Thread	Z
A	09	.6250-.1P-.3L-TS-2A	1.200 (30.48) 1.178 (29.92)	1.078 (27.38) 1.048 (26.62)	.654 (16.61) .645 (16.38)	M17 X 1.0-6g 0.100R	M12 X 1.0-6g 0.100R	0.122 0.083
B	11	.7500-.1P-.3L-TS-2A	1.386 (35.20) 1.362 (34.59)	1.268 (32.21) 1.236 (31.39)	.755 (19.18) .745 (18.92)	M20 X 1.0-6g 0.100R	M15 X 1.0-6g 0.100R	
C	13	.8750-.1P-.3L-TS-2A	1.512 (38.40) 1.488 (37.80)	1.390 (35.31) 1.358 (34.49)	.942 (23.93) .932 (23.67)	M25 X 1.0-6g 0.100R	M18 X 1.0-6g 0.100R	
D	15	1.0000-.1P-.3L-TS-2A	1.638 (41.61) 1.614 (41.00)	1.516 (38.51) 1.484 (37.69)	1.066 (27.08) 1.056 (26.82)	M28 X 1.0-6g 0.100R	M22 X 1.0-6g 0.100R	
E	17	1.1875-.1P-.3L-TS-2A	1.764 (44.81) 1.740 (44.20)	1.642 (41.71) 1.610 (40.89)	1.191 (30.25) 1.181 (30.00)	M32 X 1.0-6g 0.100R	M25 X 1.0-6g 0.100R	
F	19	1.2500-.1P-.3L-TS-2A	1.949 (49.50) 1.925 (48.90)	1.827 (46.41) 1.795 (45.59)	1.316 (33.43) 1.306 (33.17)	M35 X 1.0-6g 0.100R	M28 X 1.0-6g 0.100R	0.153 0.114
G	21	1.3750-.1P-.3L-TS-2A	2.075 (52.71) 2.051 (52.10)	1.953 (49.61) 1.921 (48.79)	1.441 (36.60) 1.431 (36.35)	M38 X 1.0-6g 0.100R	M31 X 1.0-6g 0.100R	
H	23	1.5000-.1P-.3L-TS-2A	2.201 (55.91) 2.177 (55.30)	2.079 (52.81) 2.047 (51.99)	1.566 (39.78) 1.556 (39.52)	M41 X 1.0-6g 0.100R	M34 X 1.0-6g 0.100R	
J	25	1.6250-.1P-.3L-TS-2A	2.323 (59.00) 2.299 (58.39)	2.205 (56.01) 2.173 (55.19)	1.691 (42.95) 1.681 (42.70)	M44 X 1.0-6g 0.100R	M37 X 1.0-6g 0.100R	